



• Lead wire length 1.5m

To program timer

Time ranges: **OFF** 0~99 mins.
ON 0~59 sec.

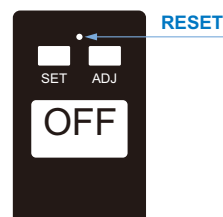
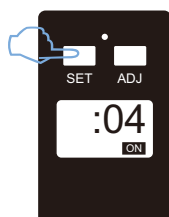
- **Digital display** Count down **ON** and **OFF** times.
- Reset timing: Press both buttons simultaneously for 2 seconds (Reset timing only. Settings will remain the same.)
- The timer can be programmed before electrical connection.
- Press 2 seconds on **SET**.

Set time **ON**

1. **ON** and the number of seconds "blink".
2. Set the time by **ADJ** and end by pressing **SET**.
Only the first second is divided into 1/10's second.

Set time **OFF**

1. **OFF** and the number of seconds "blink".
2. Set the seconds by **ADJ** and end by pressing **SET**.
Having ended the programming, the Timer starts automatically with valve operation.



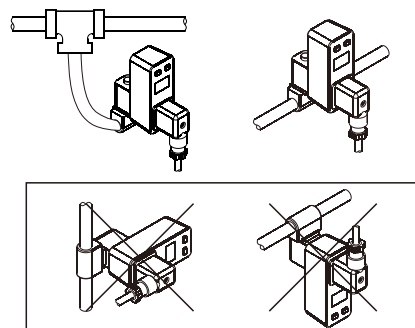
General description

- The Digital Condensation Removal Timer is a compact, modular timer valve combination specifically designed for air line condensation removal. This digital timer is compatible with series valve size to obtain an optimal system.
- This device easily programmed by two press-keys and a LCD display.

Notes

- Timer is water and dust protected to IP65 when installed properly to a coil and connector with provided M3 screw.
- See manual for all operation options.

Installation



Manual operation

- Press for 3 seconds on **ADJ** and **SET**.
- The valve will operate for the programmed time and then will return to the automatic cycle.

Manual operation is used for the following

- To turn on the LCD : when the timer is not connected to an external electrical source.
- Leave **OFF** position.
- Testing of condenser valve during work.

Timer stoppage

- Press **SET** until **OFF** is displayed.

Reset

- Press **RESET** resumes the program to 4 seconds **ON** - 10 minutes **OFF**.

Note:

- 10 minutes after the timer is disconnected from electricity, it will enter sleep mode, and the display screen will turn off.
- When the timer is reconnected it will turn on independently and operate according to the last Program data (**ON** & **OFF**)