

Caution

- Direct-acting valves are ideally suited to allocate at any angle.
- Voltage drop range is within $\pm 10\%$.
- Pressure of voltage DC is 70% of voltage AC only.
- Fluid temp. $-10 \sim +80^\circ\text{C}$ (Naphtha 120°C)

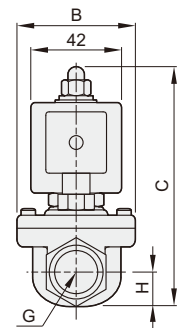
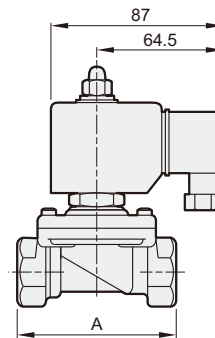
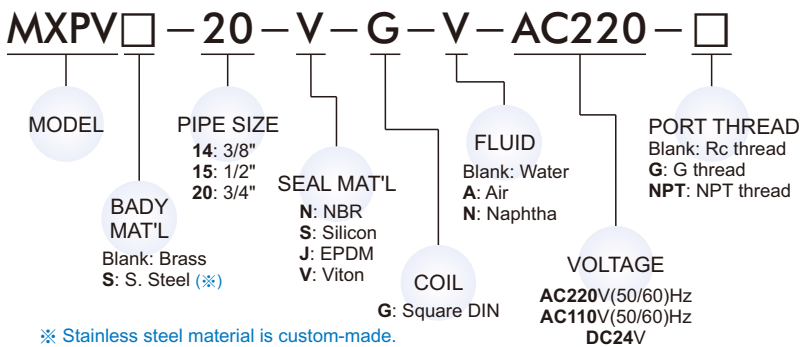
Not for fluid of

- Liquid when heat, solid when cool.
- Corrosive fluid.
- Viscosity over 50 cst.

Dimensions

Model	MXPV		
Code Dimension (mm)	14	15	20
A	75	85	
B	52	60	
C	104	113	
H	14.5	18	
G	3/8"	1/2"	3/4"
N.W. (Kg)	0.85	0.88	1.06

Order example



Specification

Model MXPV: Forged brass body, for water, air, naphtha.							
Code (Port size)	Seal mat'l	Orifice (mm)	Max. operating pressure diff. (0~ bar)				Cv
			Water	Air	Naphtha	acid & alkali (S. Steel)	
14(3/8")	N S J V	15	0.5~10	0.5~10	0.5~10	0.2~20	4.5
15(1/2")		15	0.5~10	0.5~10	0.5~10	0.2~20	4.5
20(3/4")		20	0.5~10	0.5~10	0.5~10	0.2~20	9.3