

Caution

- Direct-acting valves are ideally suited to allocate at any angle.
- Voltage drop range is within $\pm 10\%$.
- Pressure of voltage DC is 70% of voltage AC only.
- Fluid temp. $-10 \sim +80^\circ\text{C}$ (Naphtha 120°C)

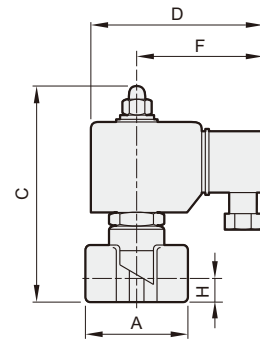
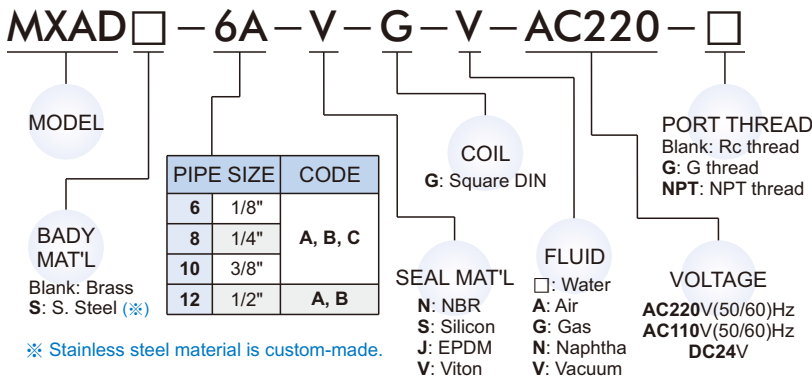
Not for fluid of

- Liquid when heat, solid when cool.
- Corrosive fluid.
- Viscosity over 50 cst.

Dimensions

Model	MXAD			
Code Dimension (mm)	6A/B/C	8A/B/C	10A/B/C	12A/B
A	41	50	55	
B	19	25	27	
C	90	94	98	
D	78	87	87	
E	37	42	42	
F	58	64.5	64.5	
G	15	15	—	
H	10.5	11.7	13	
N.W.(Kg)	0.49	0.47	0.73	0.78

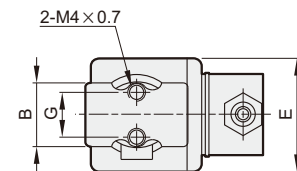
Order example



Specification

Model **MXAD**: Forged brass body, for water, air, gas, naphtha, vacuum.

Code (Port size)	Seal mat'l	Orifice (mm)	Max. operating pressure diff. (0~ bar)					acid & alkali (S. Steel)	Cv
			Water	Air	Gas	Naphtha	Vacuum		
6A(1/8")	N, S, J, V	3	0~10	0~10	0~10	0~7	0~10 ⁻⁶ torr	0~10	0.26
6B(1/8")		4	0~7	0~7	0~7	0~5	0~10 ⁻⁶ torr	0~7	0.58
6C(1/8")		5	0~5	0~5	0~5	0~3	0~10 ⁻⁶ torr	0~5	0.64
8A(1/4")		3	0~10	0~10	0~10	0~7	0~10 ⁻⁶ torr	0~10	0.26
8B(1/4")		4	0~7	0~7	0~7	0~5	0~10 ⁻⁶ torr	0~7	0.58
8C(1/4")		5	0~5	0~5	0~5	0~3	0~10 ⁻⁶ torr	0~5	0.64
10A(3/8")		4	0~10	0~10	0~10	0~7	0~10 ⁻⁶ torr	0~10	0.58
10B(3/8")		6	0~5	0~5	0~5	0~3	0~10 ⁻⁶ torr	0~5	0.79
10C(3/8")		8	0~2	0~2	0~2	0~1	0~10 ⁻⁶ torr	0~2	0.97
12A(1/2")		6	0~5	0~5	0~5	0~3	0~10 ⁻⁶ torr	0~5	0.79
12B(1/2")		8	0~2	0~2	0~2	0~1	0~10 ⁻⁶ torr	0~2	0.97

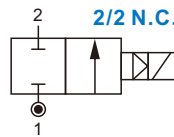
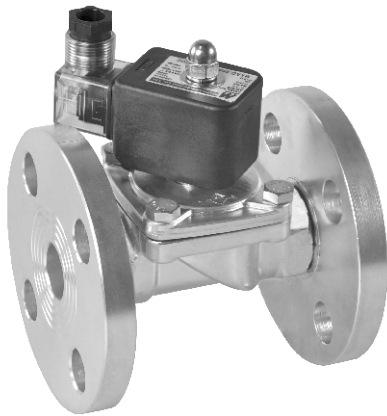


MXAD-AF series



2/2 WAY N.C. DIAPHRAGM TYPE DIRECT ACTING SOLENOID VALVE

mindman



Caution

- Direct-acting valves are ideally suited to allocate at any angle.
- Voltage drop range is within $\pm 10\%$.
- Pressure of voltage DC is 70% of voltage AC only.
- Fluid temp. $-10 \sim +80^\circ\text{C}$ (Naphtha 120°C)

Not for fluid of

- Liquid when heat, solid when cool.
- Corrosive fluid.
- Viscosity over 50 cst.

Order example

MXAD - 35 - V - G - V - AC220 -

MODEL

BADY MAT'L

Blank: Brass
S: S. Steel (※)

SEAL MAT'L

N: NBR
S: Silicon
J: EPDM
V: Viton

FLUID

: Water
A: Air
G: Gas
N: Naphtha
V: Vacuum

PORT THREAD

Blank: Rc thread
G: G thread
NPT: NPT thread

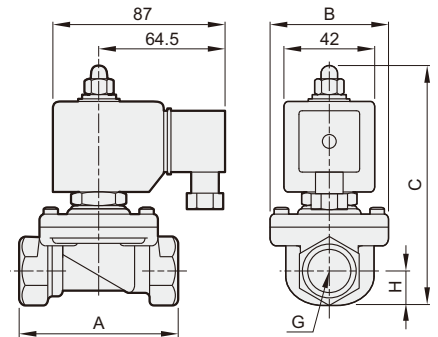
PIPE SIZE	CODE
14 3/8"	—
15 1/2"	
20 3/4"	Blank: standard AF: flange end (JIS 10K)
25 1"	
35 1 1/4"	
40 1 1/2"	
50 2"	

COIL
G: Square DIN

VOLTAGE

AC220V(50/60)Hz
AC110V(50/60)Hz
DC24V

※ Stainless steel material is custom-made.

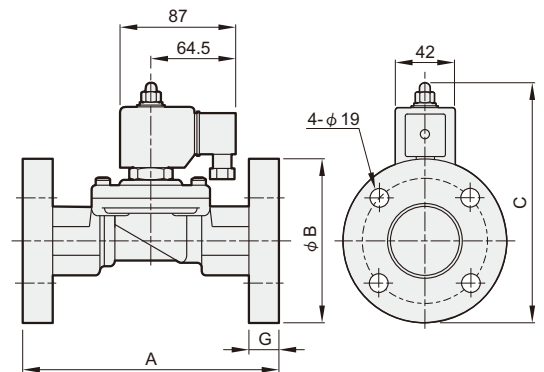


Model	MXAD						
Code Dimension (mm)	14	15	20	25	35	40	50
A	75	75	85	100	120	120	150
B	52	52	60	70	90	90	120
C	107	107	116	122	142.5	142.5	160
G	3/8"	1/2"	3/4"	1"	1 1/4"	1 1/2"	2"
H	14.5	14.5	18	23	33	33	40.5
N.W.(Kg)	1.03	1.06	1.24	1.51	2.87	2.77	4.81

Specification

Model MXAD: Forged brass body, for water, air, gas, naphtha, vacuum.

Code (Port size)	Seal mat'l	Orifice (mm)	Max. operating pressure diff. (0~ bar)						Cv
			Water	Air	Gas	Naphtha	Vacuum (torr)	acid & alkali (S. Steel)	
14(3/8")	N, S, J, V	15	0~10	0~10	0~10	0~10	0~10 ⁻⁶	0~10	4.5
15(1/2")		15	0~10	0~10	0~10	0~10	0~10 ⁻⁶	0~10	4.5
20(3/4")		20	0~10	0~10	0~10	0~10	0~10 ⁻⁶	0~10	9.3
25(1")		25	0~10	0~10	0~10	0~10	0~10 ⁻⁶	0~10	13.2
35(1 1/4")		35	0~10	0~10	0~10	0~10	0~10 ⁻⁶	0~10	26
40(1 1/2")		35	0~10	0~10	0~10	0~10	0~10 ⁻⁶	0~10	26
50(2")		50	0~7	0~7	0~7	0~5	0~10 ⁻⁶	0~7	48



Model	MXAD-**AF			
Code Dimension (mm)	25AF	35AF	40AF	50AF
A	130	160	160	200
B	125	135	140	155
C	165	177	180	195
G	14	16	16	16
N.W.(Kg)	5.35	7.75	8.00	11.0