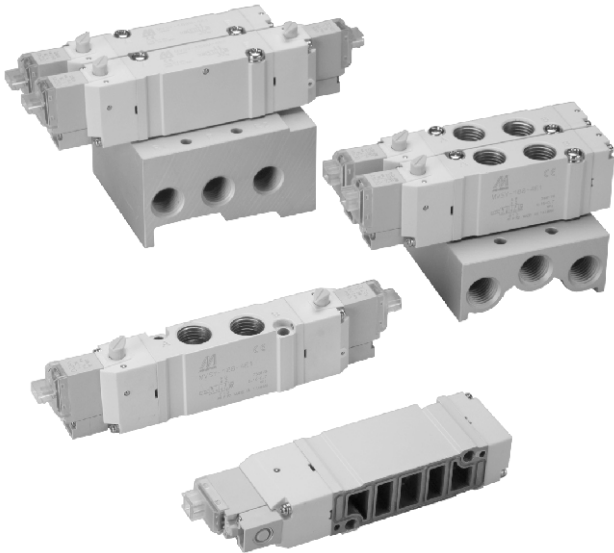


MVSY-188 series

SOLENOID VALVE



Mindman

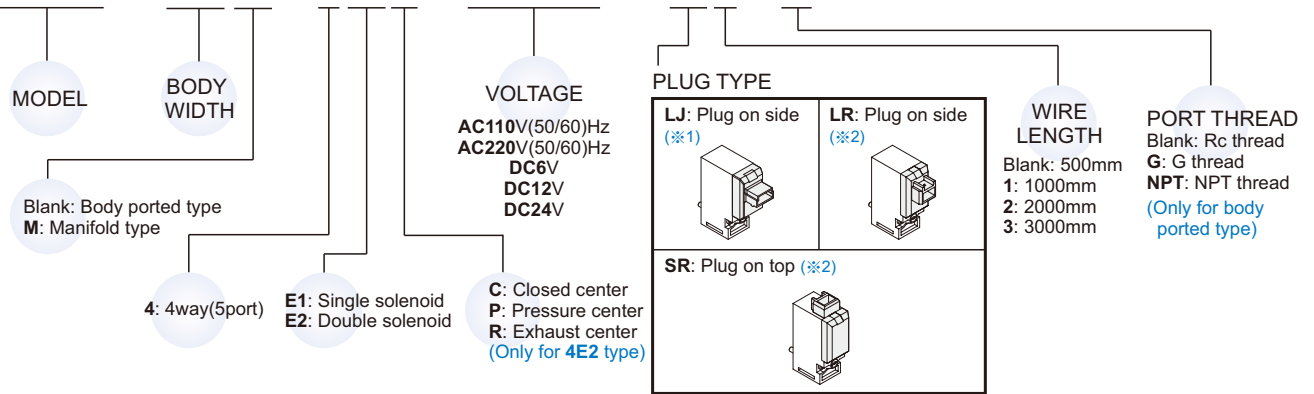


Specification

Model	4E1	4E2	4E2C.P.R
Bore No.	8A		
Port size	Rc1/4		
No. of port	5		
No. of position	2	3	
Medium	Air		
Operating pressure range	0.15~0.7 MPa		0.2~0.7 MPa
Proof pressure	1 MPa		
Effective orifice	Body ported	15 mm ²	16.3 / 27 / 12.4 mm ²
	Manifold	13 mm ²	13.5 / 18.4 / 11 mm ²
Response time	23 ms		50 ms
Ambient temperature	+5~+50℃		
Voltage	AC110V, AC220V (50/60)Hz, DC6/12/24V		
Power consumption	AC=1.6 / 2.5VA, DC=0.55W (LED indicator)		
Available voltage range	±10%		
Insulation class	B class		
Weight	84 g	106 g	116 g

Order example of valve

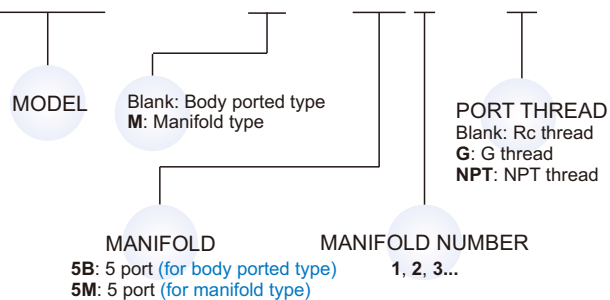
MVSY – 188M – 4E2C – AC110 – LJ1 – G



※1. Connector with flying leads JPC type.
※2. Connector with flying leads RMH type. (Original)

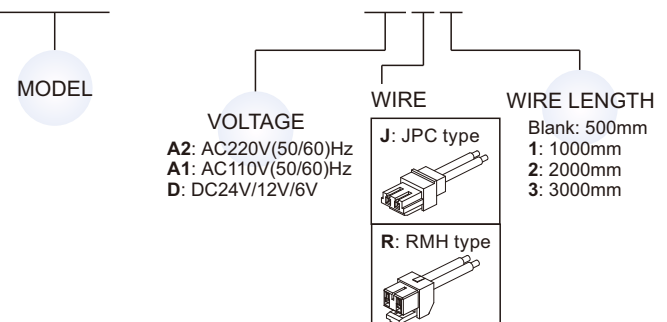
Order example of manifold

MVSY – 188M – 5M3 – G



Order example of wire

MVDY – 100 – WA2J2



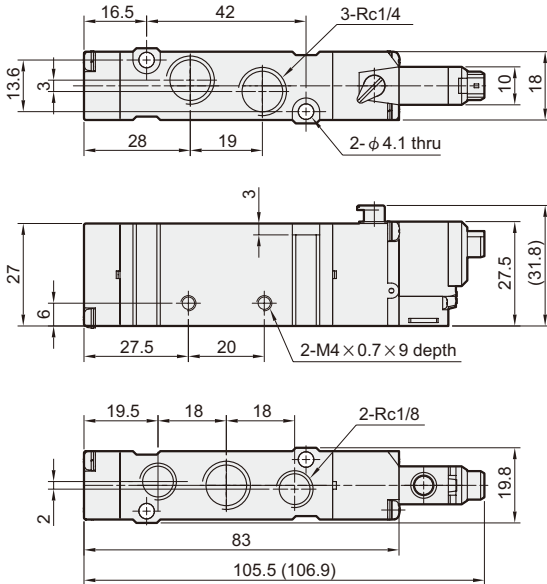
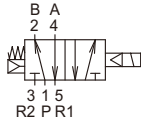
※ Use the same wire with MVDY.

MVSY-188 Dimensions

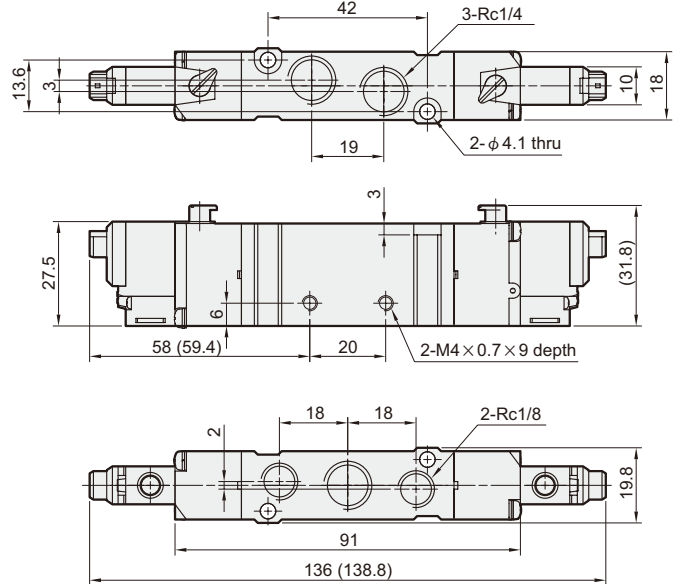
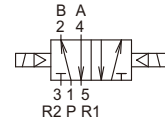
SOLENOID VALVE



MVSY-188-4E1

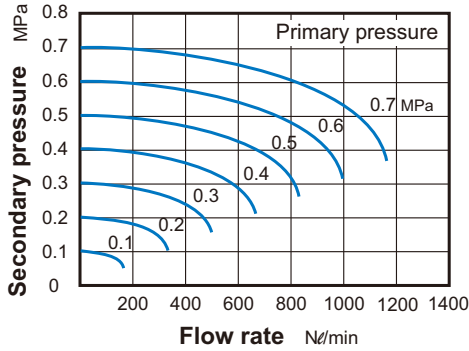


MVSY-188-4E2

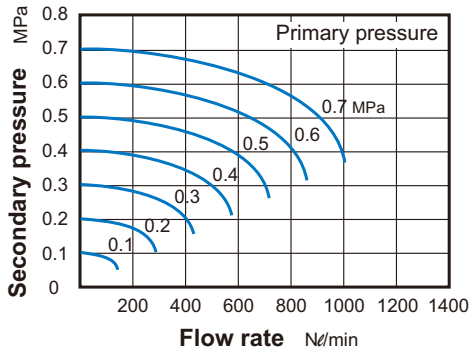


Flow features

MVSY-188-4E1/4E2

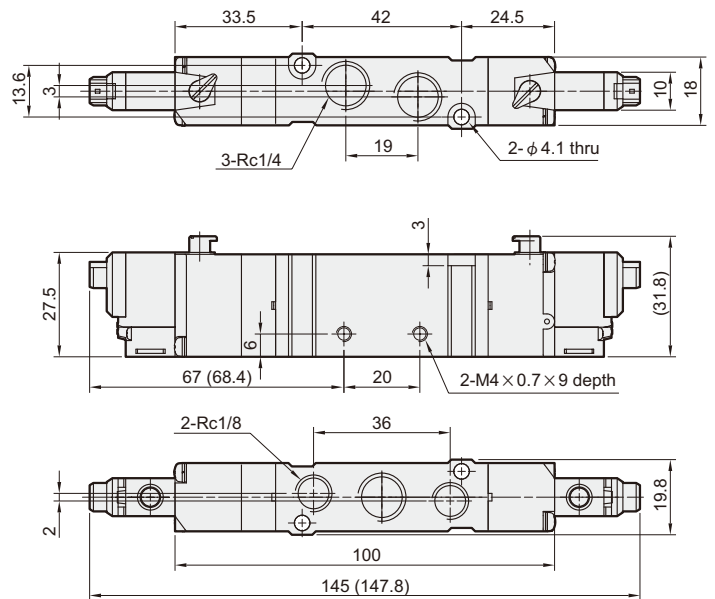
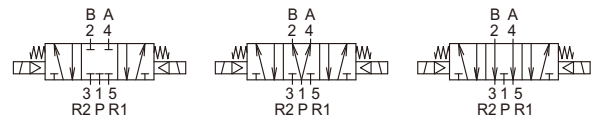


MVSY-188M-4E1/4E2



MVSY-188-4E2C.P.R

MVSY-188-4E2C MVSY-188-4E2P MVSY-188-4E2R



() : Dimension for LJ plug type.

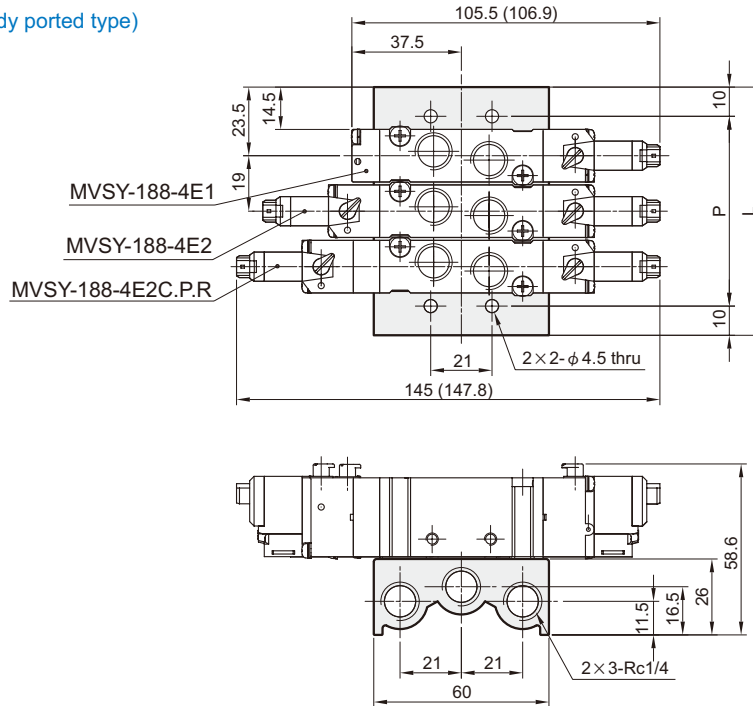
MVSY-188 Manifold

SOLENOID VALVE



MVSY-188-5B*

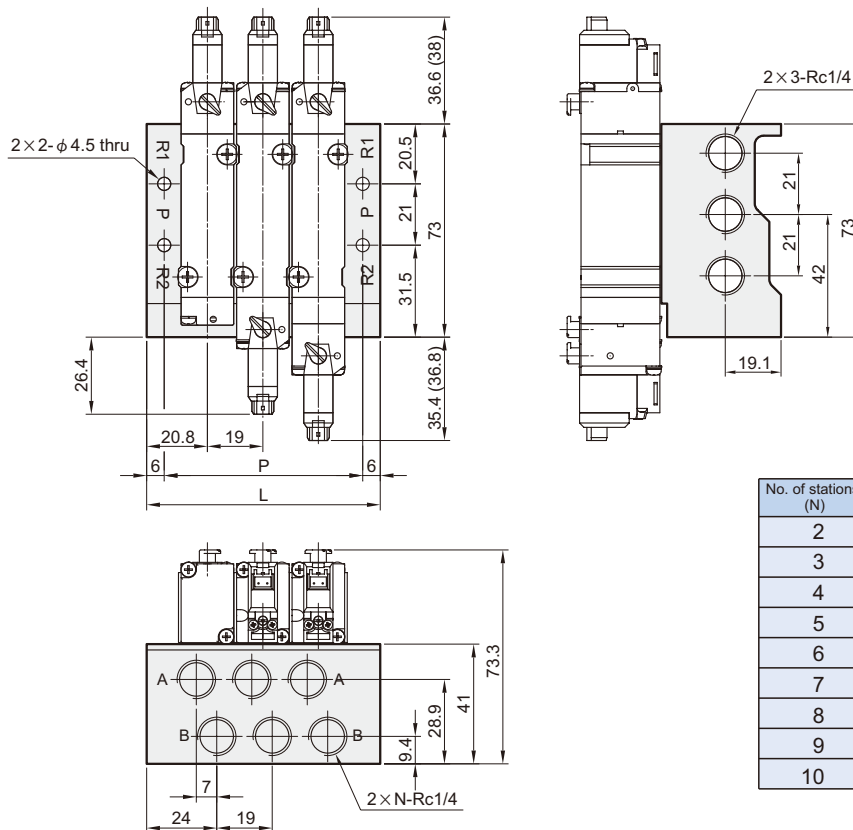
5 port (for body ported type)



No. of stations	P	L
2	46	66
3	65	85
4	84	104
5	103	123
6	122	142
7	141	161
8	160	180
9	179	199
10	198	218

MVSY-188M-5M*

5 port (for manifold type)



No. of stations (N)	P	L
2	49	61
3	68	80
4	87	99
5	106	118
6	125	137
7	144	156
8	163	175
9	182	194
10	201	213

() : Dimension for LJ plug type.

MVSY-188 Mounting bracket / Spacer assembly



SOLENOID VALVE

Order example of bracket

MVSY – 188 – 1A

MODEL

MOUNTING BRACKET
1A
2A

Order example of spacer assembly

MVSY – 188M – 5BP

MODEL

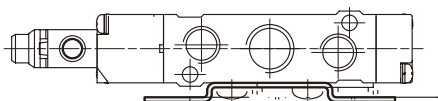
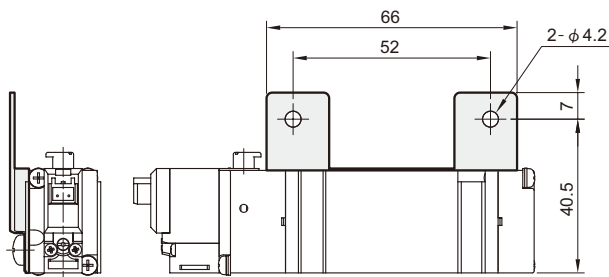
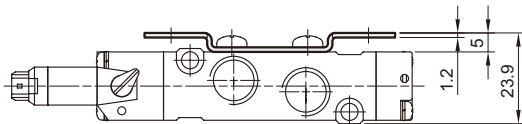
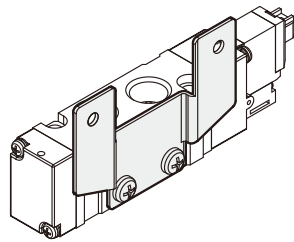
Blank: Body ported type
M: Manifold type

5B: 5 port (for body ported type)
5M: 5 port (for manifold type)

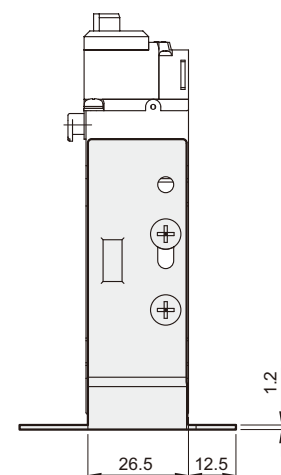
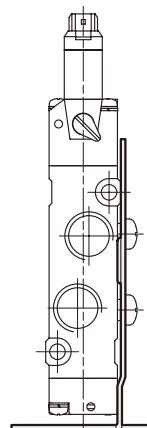
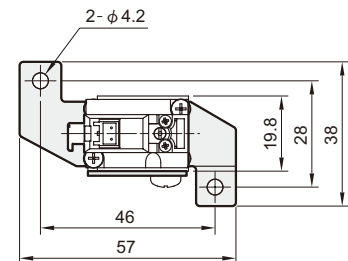
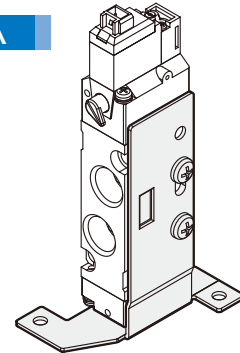
SPACER ASSEMBLY

P: Individual SUP spacer assembly
R: Individual EXH spacer assembly
PR: Individual SUP spacer assembly+
Individual EXH spacer assembly

MVSY-188-1A



MVSY-188-2A



MVSY-188 Spacer assembly

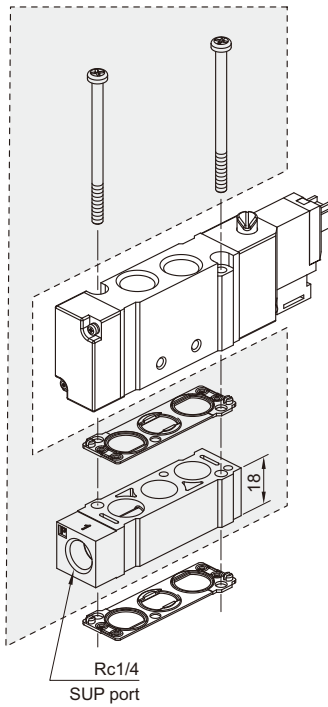
SOLENOID VALVE



for body ported type

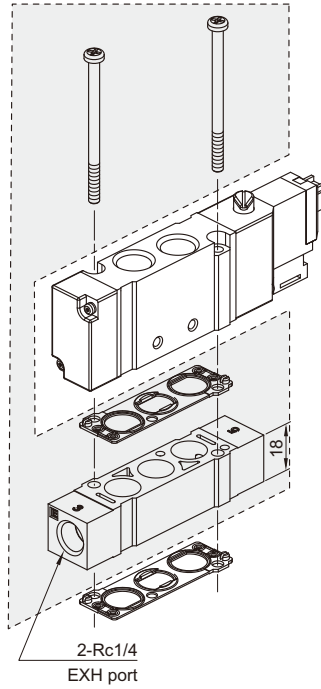
MVSY-188-5BP

Individual SUP spacer assembly



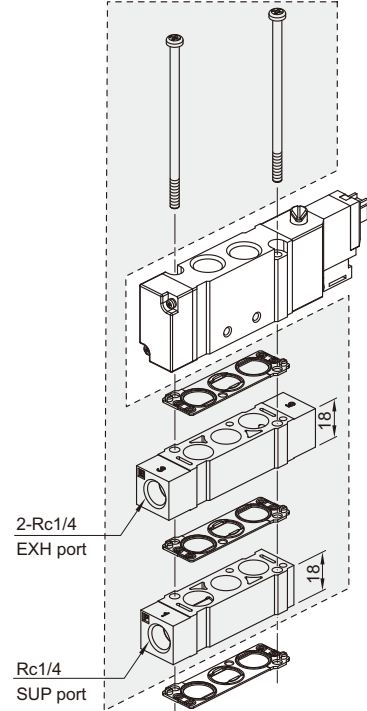
MVSY-188-5BR

Individual EXH spacer assembly



MVSY-188-5BPR

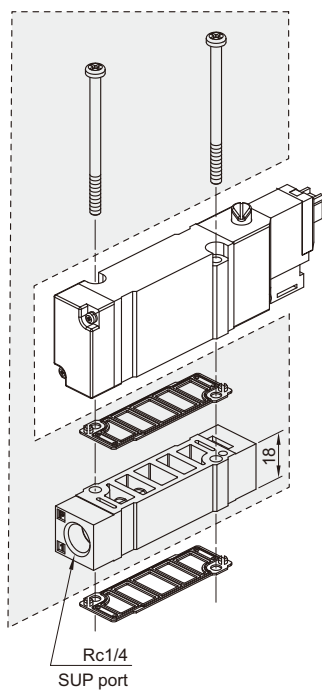
Individual SUP spacer assembly +
Individual EXH spacer assembly



for manifold type

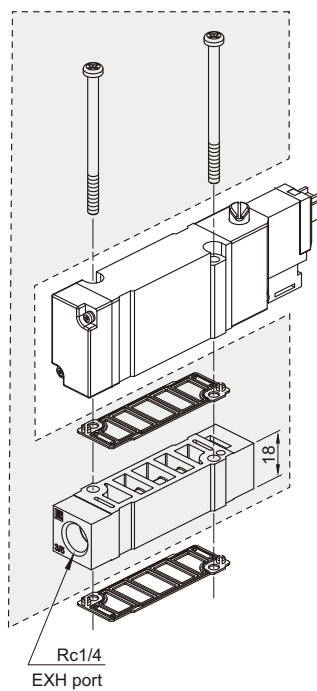
MVSY-188M-5MP

Individual SUP spacer assembly



MVSY-188M-5MR

Individual EXH spacer assembly



MVSY-188M-5MPR

Individual SUP spacer assembly +
Individual EXH spacer assembly

