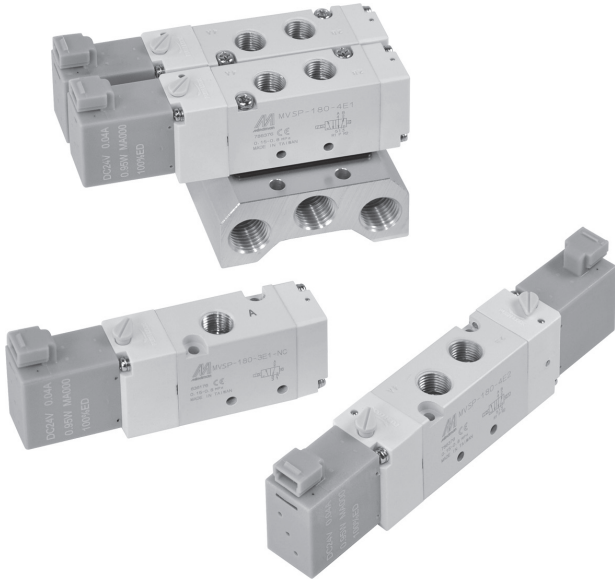


# MVSP-180 series

## SOLENOID VALVE

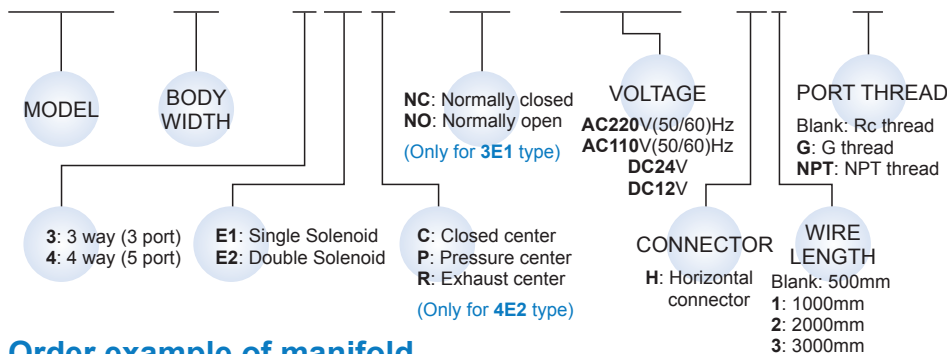


### Specification

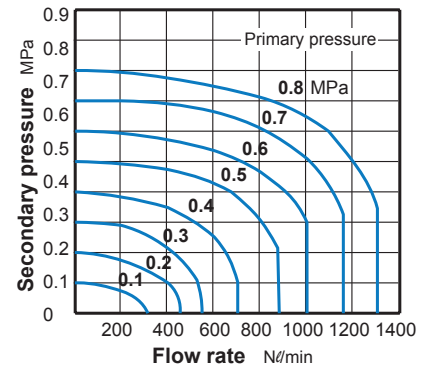
Model	3E1	3E2	4E1	4E2	4E2 C.P.R
Port size	Rc1/8				
No. of port / position	3/2		5/2		5/3
Medium	Air				
Operating pressure range	0.15~0.8 MPa			0.2~0.7 MPa	
Proof pressure	1 MPa				
Effective orifice	15 mm <sup>2</sup>		12 mm <sup>2</sup>		9 mm <sup>2</sup>
Response time	30 ms				
Ambient temperature	-5~+50°C (No freezing)				
Voltage	AC110V, 220V (50/60)Hz, DC24/12V				
Power consumption	AC=5VA, 5.5VA (220V), DC=0.95W				
Available voltage range	±10%				
Insulation class	F class				
Weight	90 g	125 g	94 g	129 g	143 g

### Order example of valve

MVSP - 180 - 4E2C - NC - AC110 - H1 - G

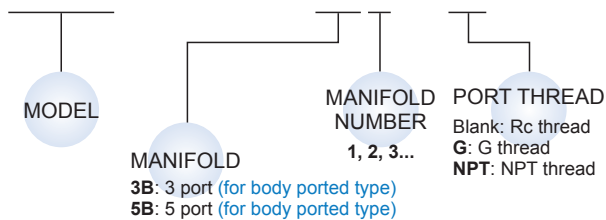


### Flow features



### Order example of manifold

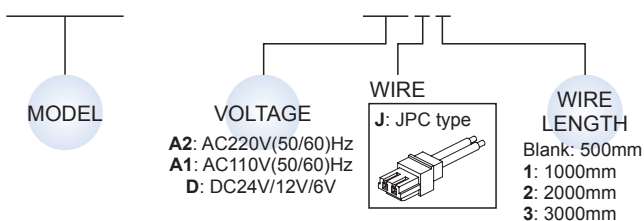
MVSP - 180 - 3B3 - G



### Order example of wire

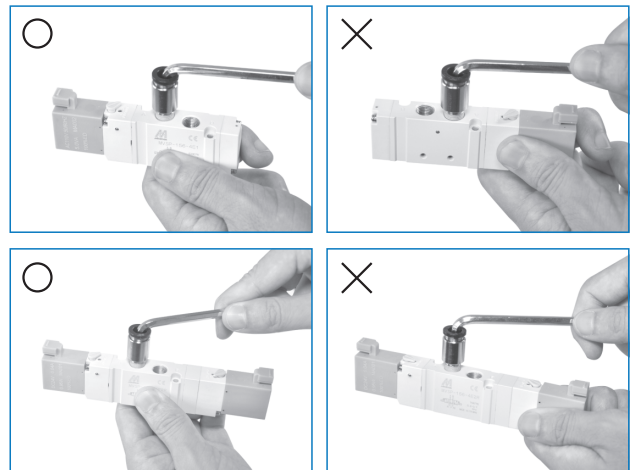
\* Use the same wire with MVDY.

MVDY - 100 - WA2J2



### Caution

Prohibit apply force to coil when tighten the tube fitting.

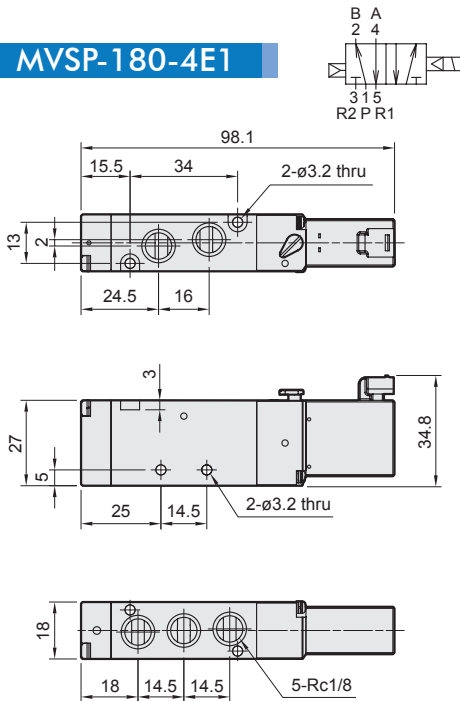


# MVSP-180 Dimensions

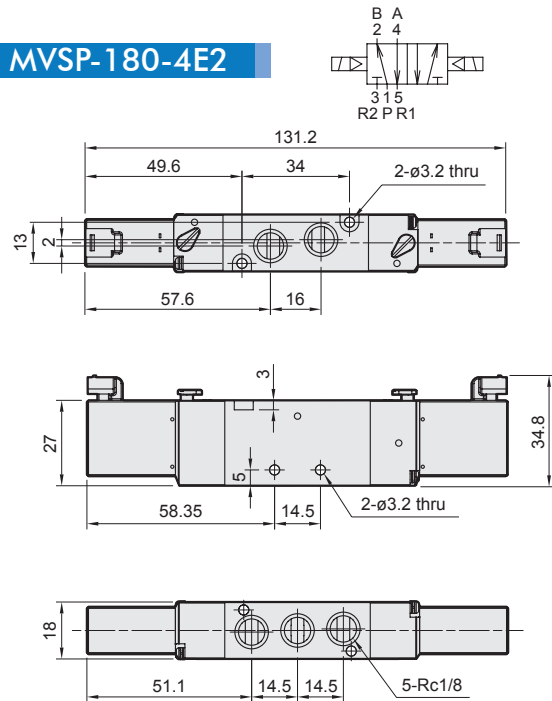
## SOLENOID VALVE



### MVSP-180-4E1

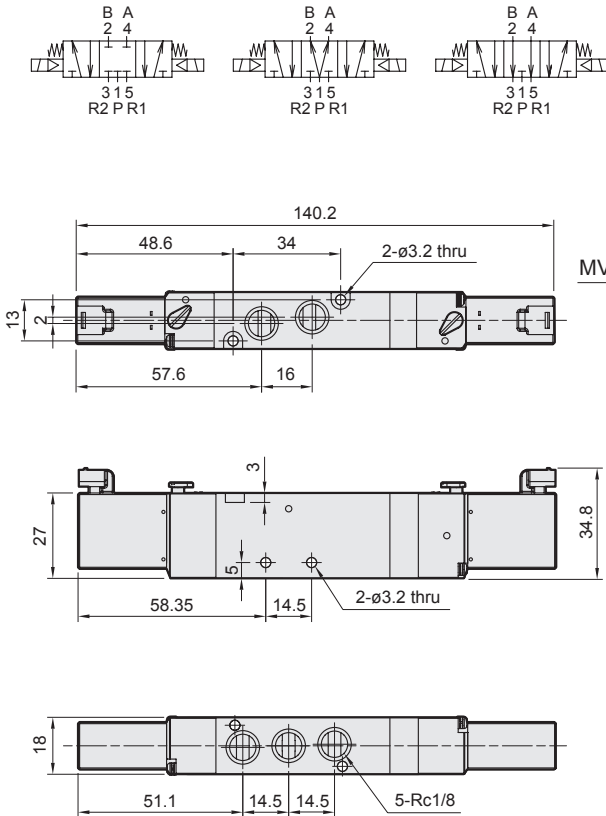


### MVSP-180-4E2



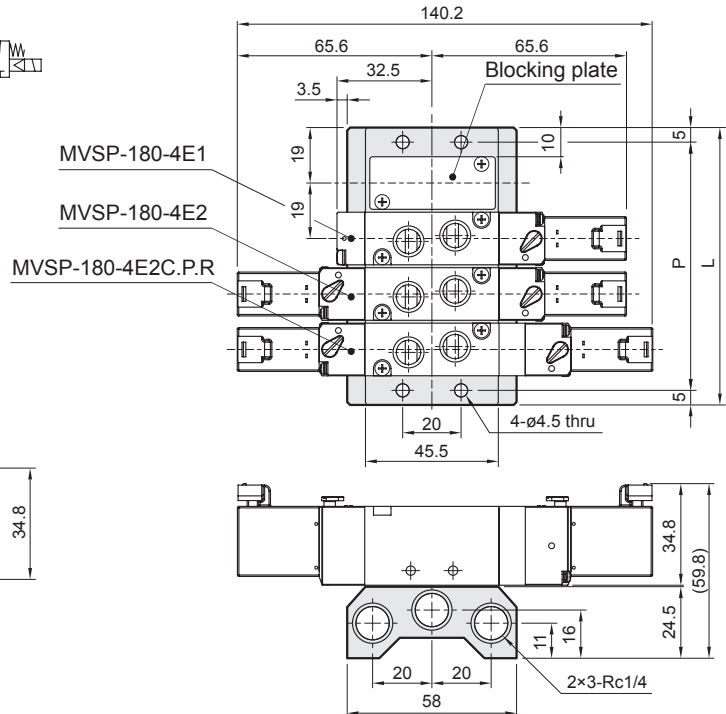
### MVSP-180-4E2C.P.R

MVSP-180-4E2C    MVSP-180-4E2P    MVSP-180-4E2R



### MVSP-180-5B\*

5 port (for body ported type)



No. of stations	P	L
2	47	57
3	66	76
4	85	95
5	104	114
6	123	133

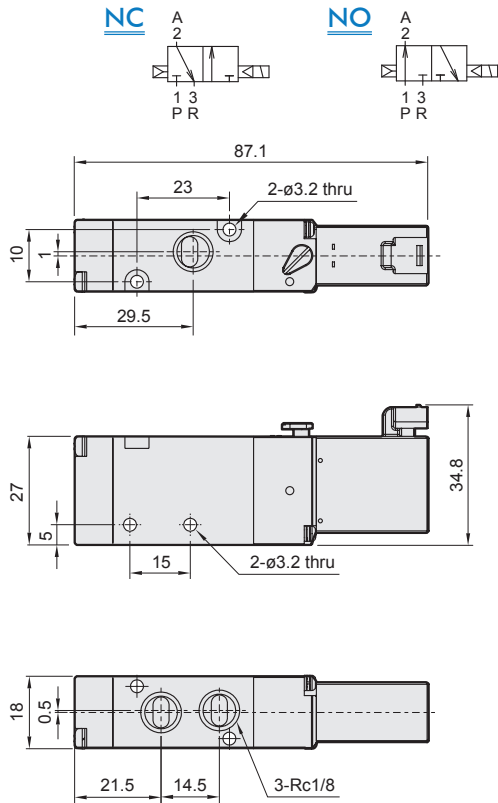
No. of stations	P	L
7	142	152
8	161	171
9	180	190
10	199	209

# MVSP-180 Dimensions

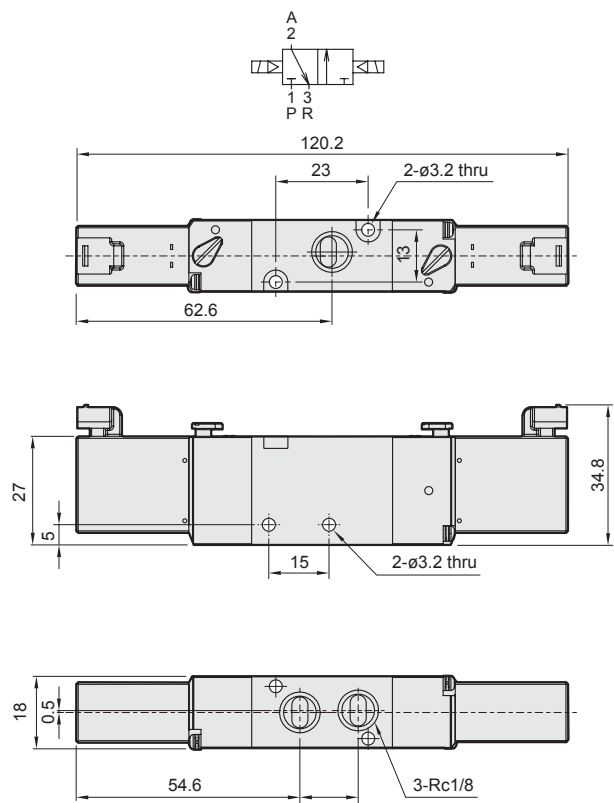
## SOLENOID VALVE



### MVSP-180-3E1-NC/NO

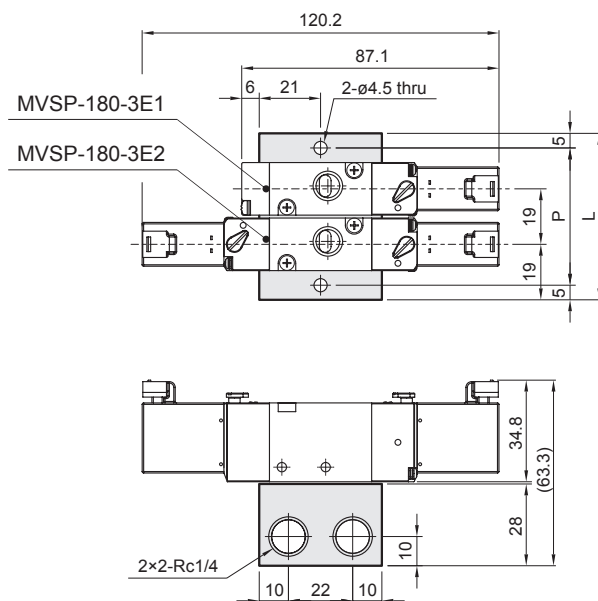


### MVSP-180-3E2



### MVSP-180-3B\*

3 port (for body ported type)



No. of stations	P	L
2	47	57
3	66	76
4	85	95
5	104	114
6	123	133
7	142	152
8	161	171
9	180	190
10	199	209