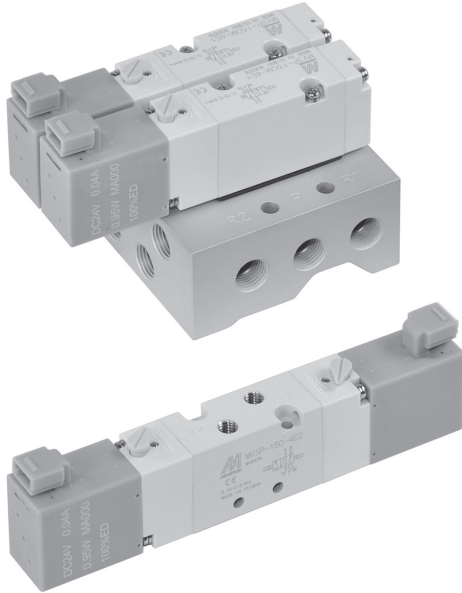


MVSP-150 series

SOLENOID VALVE



mindman

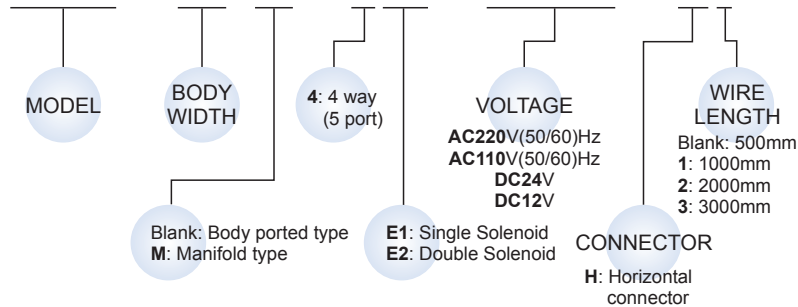


Specification

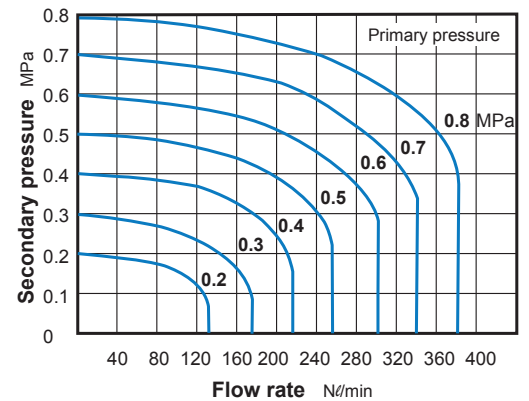
Model	4E1	4E2
Port size	M5×0.8	
No. of port	5	
No. of position	2	
Medium	Air	
Operating pressure range	0.15~0.8 MPa	
Proof pressure	1 MPa	
Effective orifice	3.8 mm ²	
Response time	AC<60 ms, DC<30 ms	
Ambient temperature	-5~+50°C (No freezing)	
Voltage	AC110V, 220V (50/60)Hz, DC24/12V	
Power consumption	AC=5VA, 5.5VA (220V), DC=0.95W	
Available voltage range	±10%	
Insulation class	F class	
Weight (Explosion-proof)	73 g	108 g

Order example of valve

MVSP — 150M — 4E2 — AC110 — H1

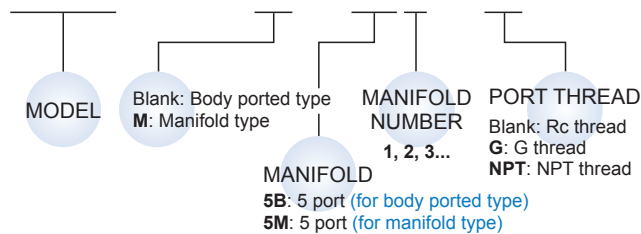


Flow features



Order example of manifold

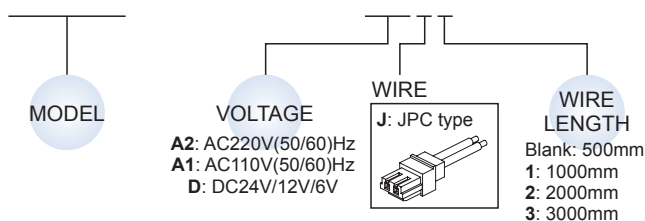
MVSP — 150M — 5B3 — G



Order example of wire

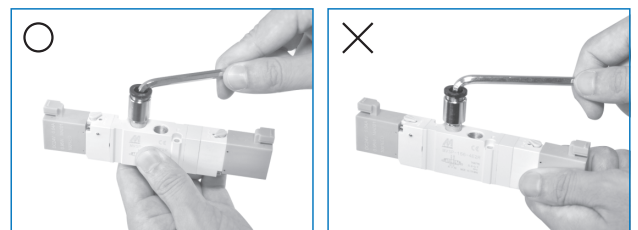
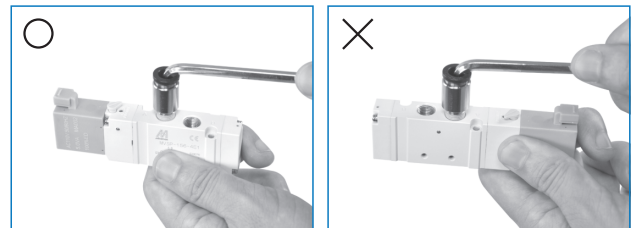
* Use the same wire with MVDY.

MVDY — 100 — WA2J2



Caution

Prohibit apply force to coil when tighten the tube fitting.

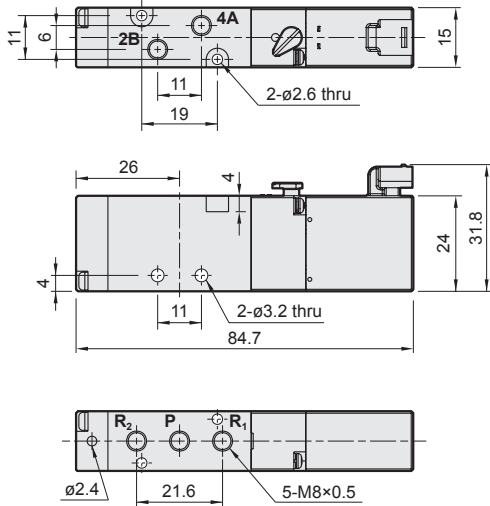
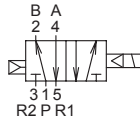


MVSP-150 Dimensions

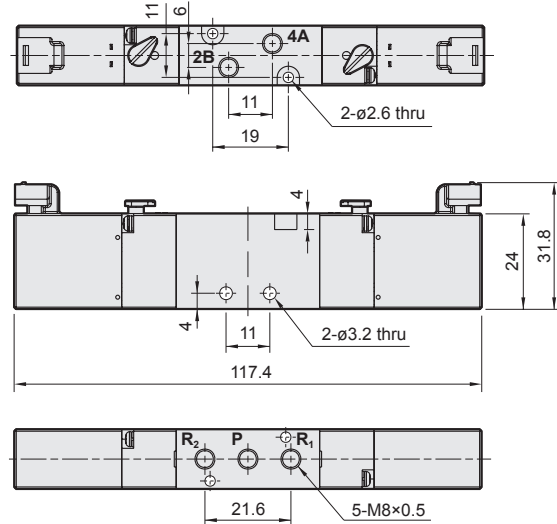
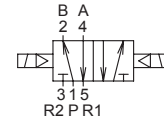
SOLENOID VALVE



MVSP-150-4E1

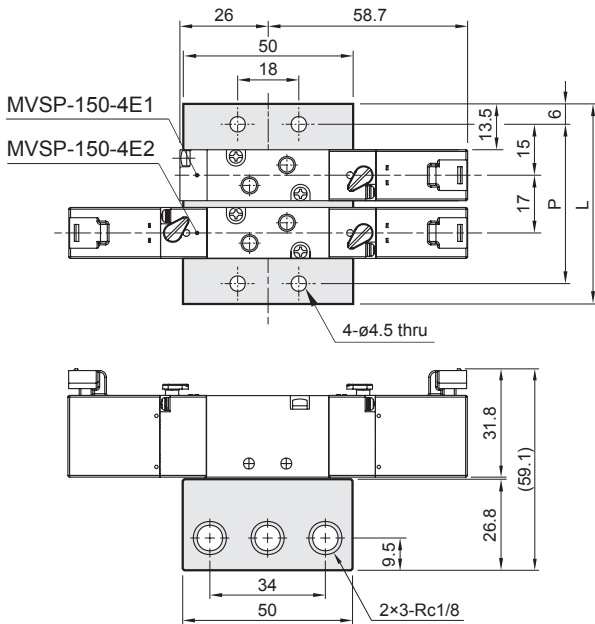


MVSP-150-4E2



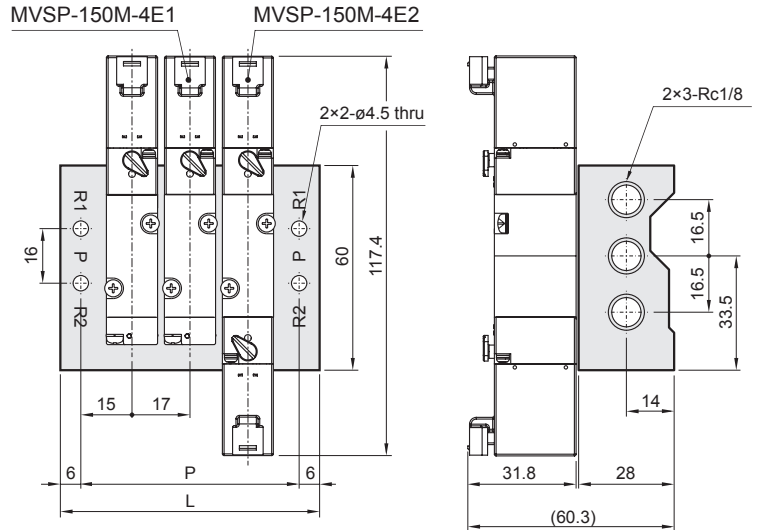
MVSP-150-5B*

5 port (for body ported type)

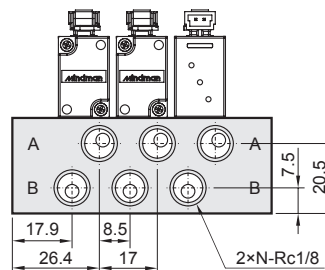


MVSP-150M-5M*

5 port (for manifold type)



No. of stations	P	L
2	47	59
3	64	76
4	81	93
5	98	110
6	115	127
7	132	144
8	149	161
9	166	178
10	183	195



No. of stations (N)	P	L
2	47	59
3	64	76
4	81	93
5	98	110
6	115	127
7	132	144
8	149	161
9	166	178
10	183	195