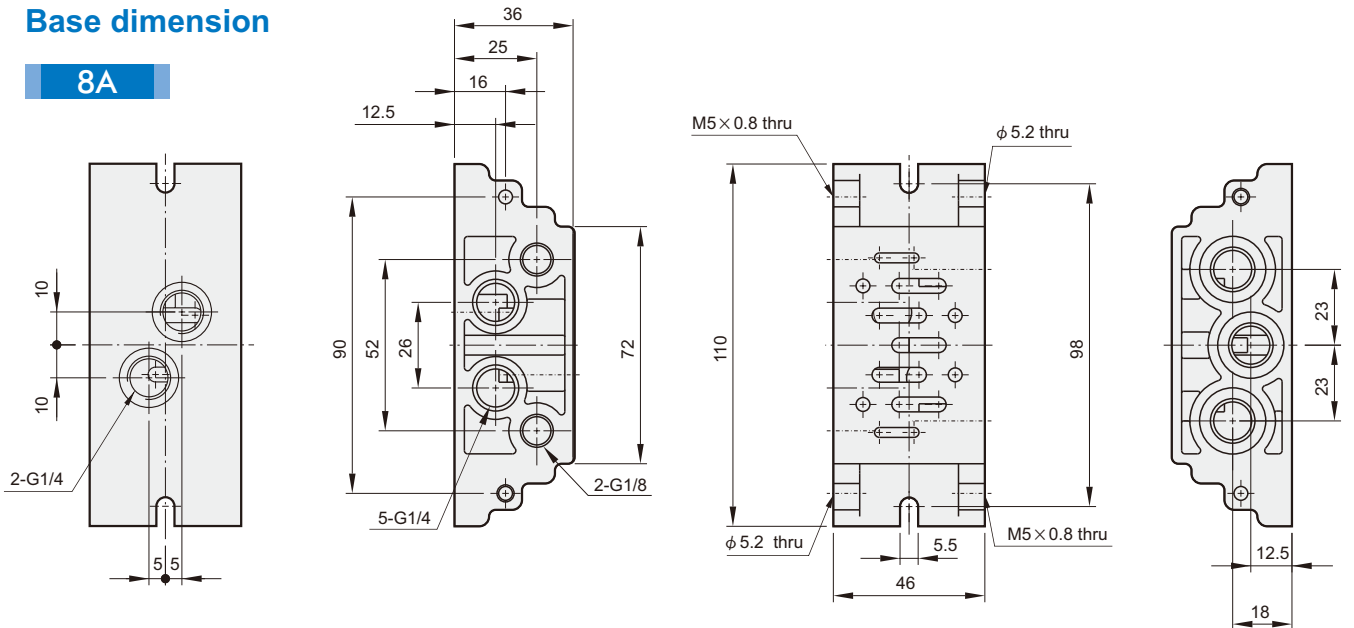


Base dimension

8A



Order example

MVSI - 1 - B - 8A

MODEL

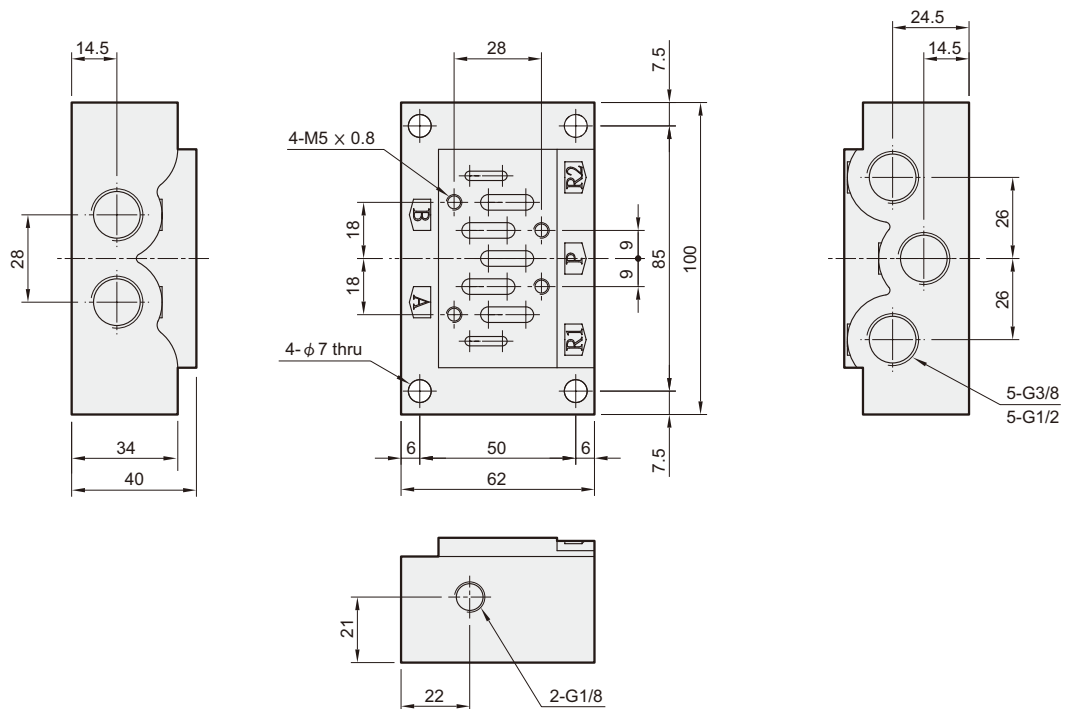
BASE

BORE SIZE

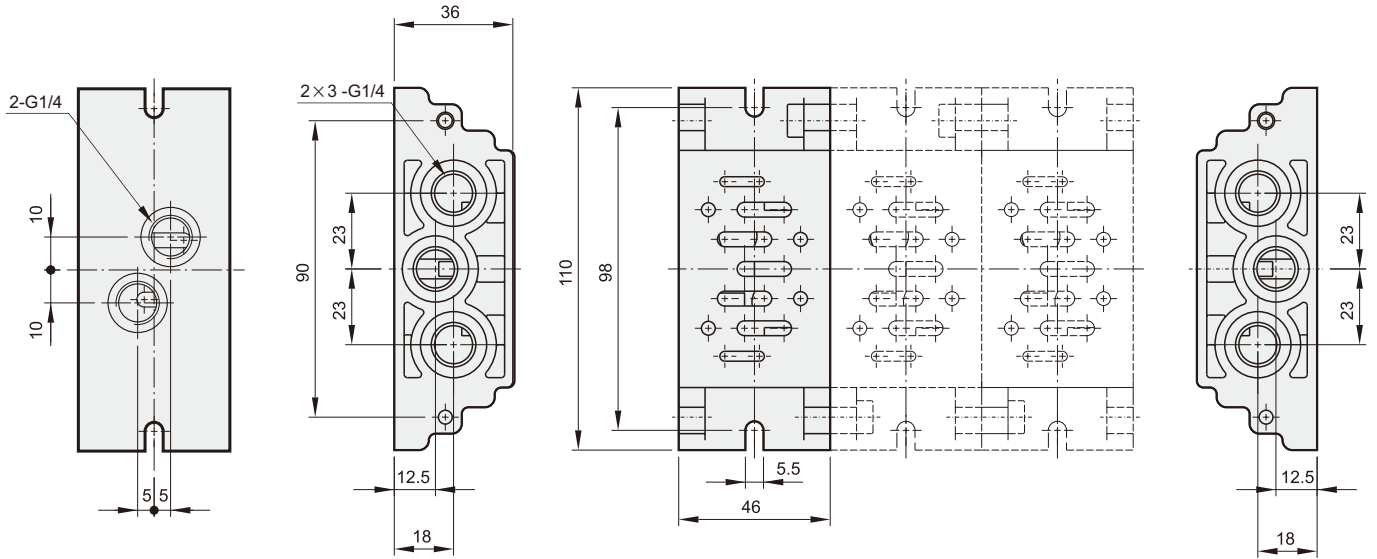
8A: G1/4
10A: G3/8
15A: G1/2

10A

15A



Manifold of solenoid valve



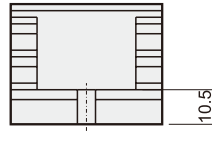
Order example

MVSI - 1 - M2

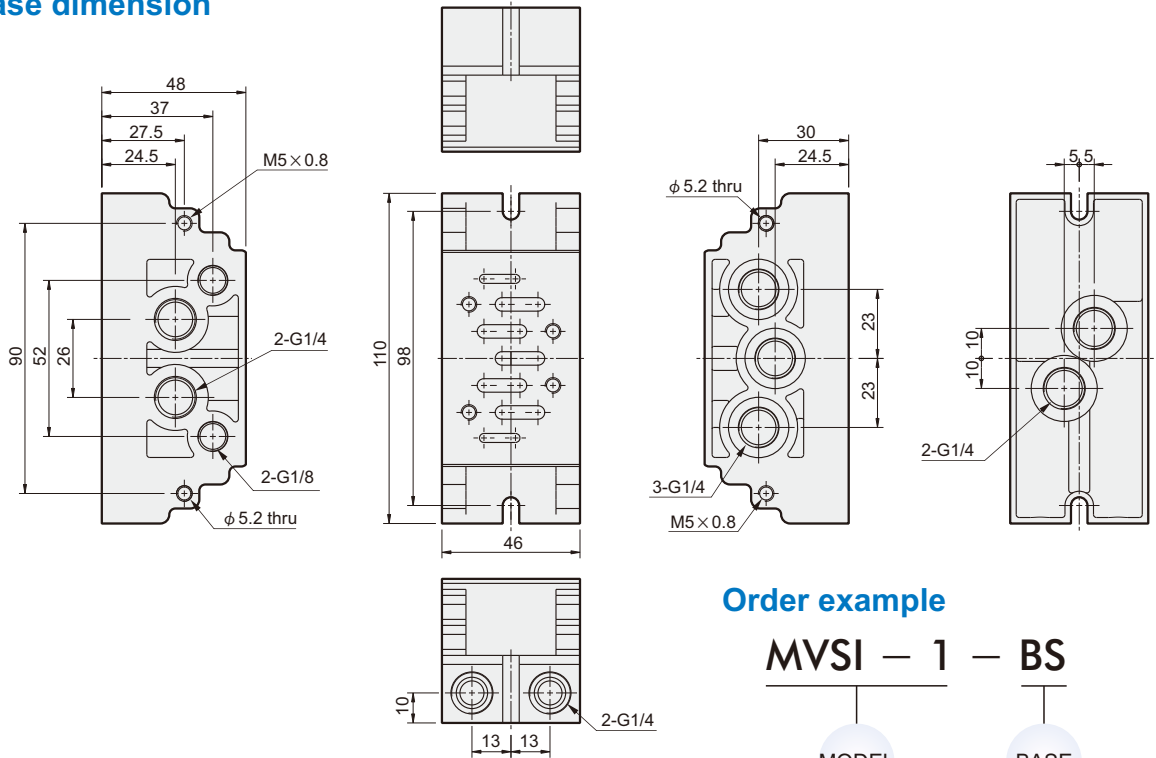
MODEL

MANIFOLD

NO. OF STATIONS
1, 2, 3...



Base dimension



Manifold of solenoid valve

