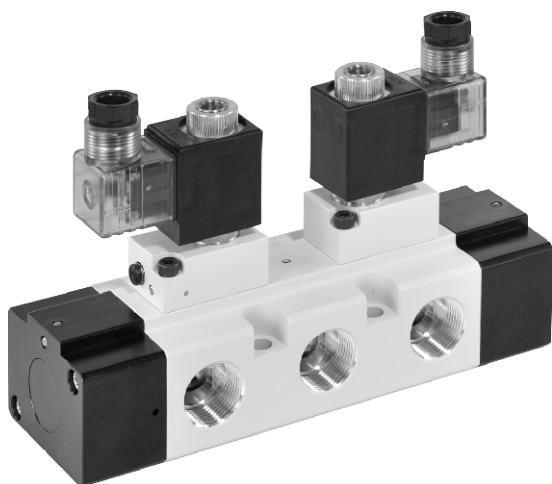


MVSE-600 series

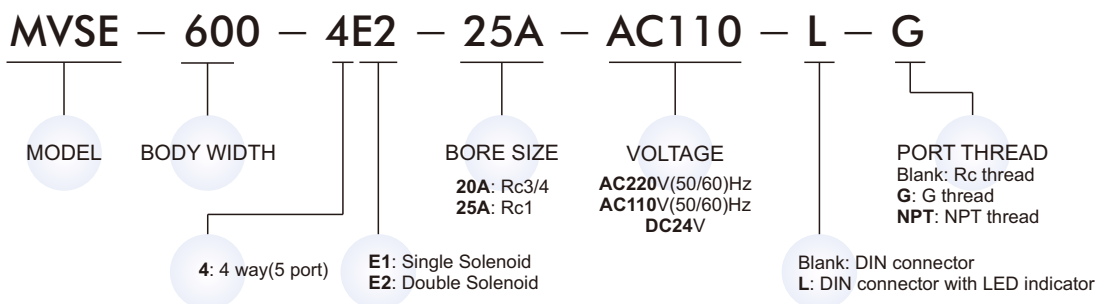
SOLENOID VALVE



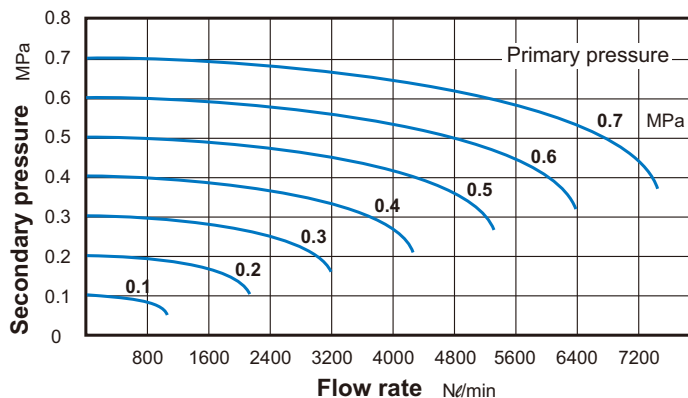
Specification

Model	4E1	4E2
Bore No.	20A, 25A	
Port size	Rc3/4, Rc1	
No. of port	5	
No. of position	2	
Medium	Air	
Operating pressure range	0.2~0.7 MPa	
Proof pressure	1 MPa	
Effective orifice	20A: 96 mm ² , 25A: 100 mm ²	
Response time	80 ms	
Ambient temperature	-5~+50°C (No freezing)	
Voltage	AC110V, AC220V (50/60)Hz, DC24V	
Power consumption	AC=13/11VA, DC=10W	
Available voltage range	±10%	
Insulation class	H class	
Weight	1817 g	2102 g

Order example of valve



Flow features



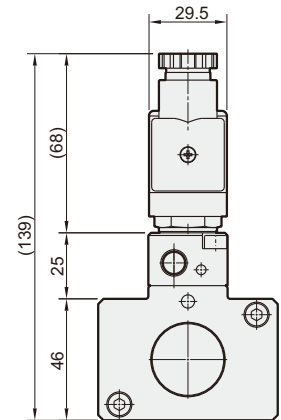
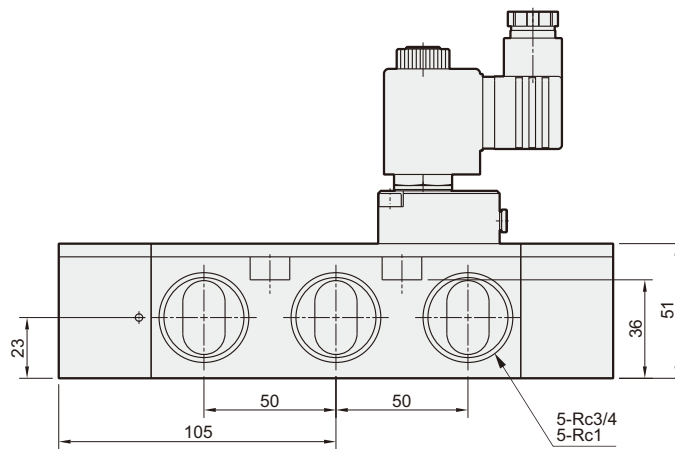
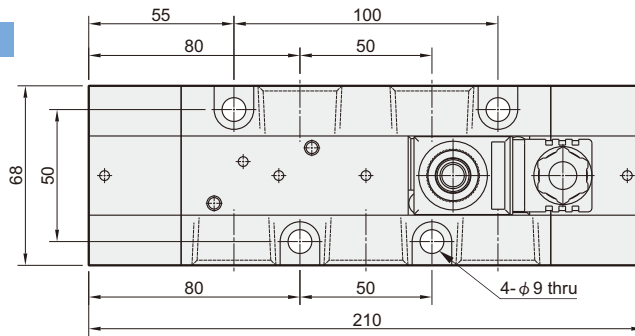
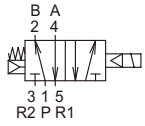
MVSE-600 Dimensions

SOLENOID VALVE



Mindman

MVSE-600-4E1



MVSE-600-4E2

