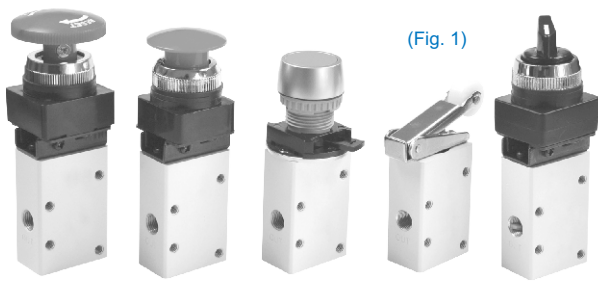


MVMC-210 series

MECHANICAL VALVE



(Fig. 1)

Specification

Model	MVMC-210	
Bore No.	6A	8A
Port size	Rc1/8	Rc1/4
No. of port	3	
No. of position	2	
Medium	Air	
Operating pressure range	0~1 MPa	
Proof pressure	1 MPa	
Effective orifice	19 mm ²	
Ambient temperature	-5~+60°C (No freezing)	
Weight	155 g	

Actuator-holder (Fig. 2)



- Type $\phi 22$ only show body and actuator-holder in (Fig. 2).
- Type $\phi 25$, $\phi 30$ fix bracket in (Fig. 1).
- Type $\phi 22$ actuator set or released by one-action.
- Type $\phi 25$, $\phi 30$ Actuator set or released by screwdriver.

Order example

MVMC - 210 - 6A - 3EB - 25R - G

MODEL

BODY WIDTH

BORE SIZE
6A: Rc1/8
8A: Rc1/4

3: 3way(3port)

BUTTON SIZE

22: $\phi 22$
25: $\phi 25$
30: $\phi 30$

B1: Body (without button)
R1: Roller lever
EB: Latching palm button
LB: Extended twist button
TB: Twist button
PB: Mushroom palm button
PP: Push button

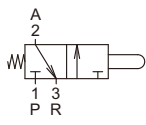
BUTTON COLOR

Color	Type
—	B1 type R1 type
G: Green	EB type
R: Red	
B: Black	LB type TB type
B: Black	PB type PP type
G: Green	
R: Red	

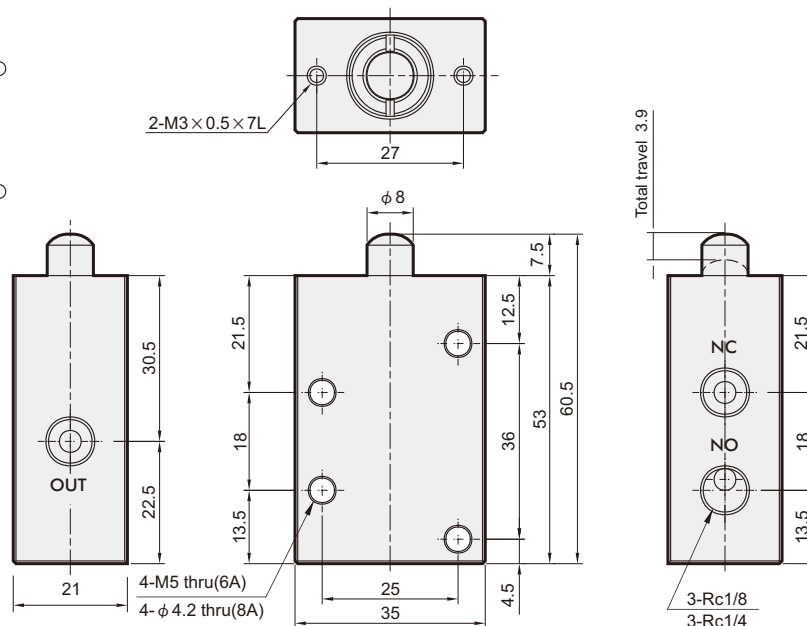
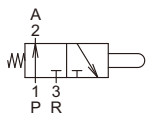
PORT THREAD
Blank: Rc thread
G: G thread
NPT: NPT thread

MVMC-210-3B1

NC



NO

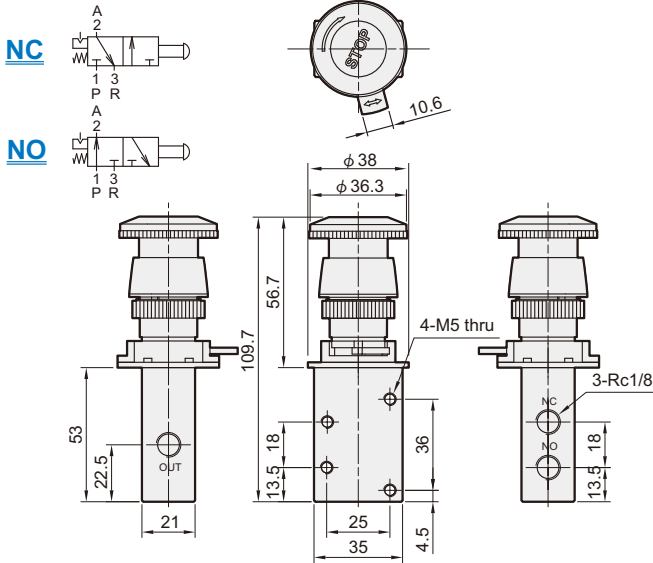


MVMC-210 Dimensions

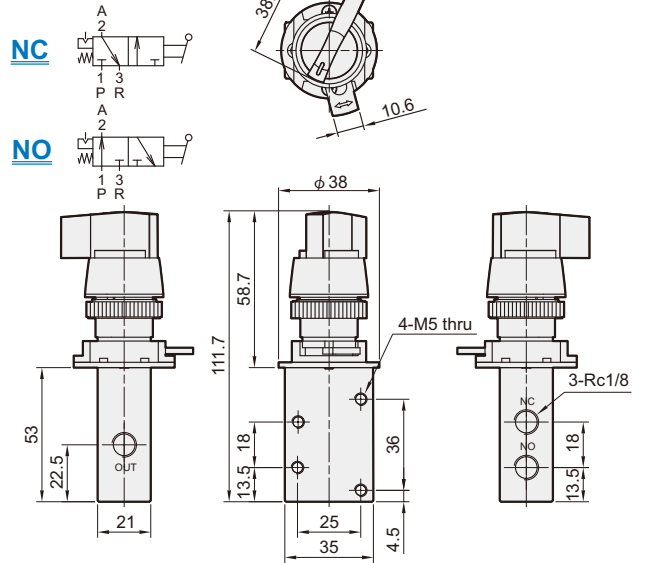
MECHANICAL VALVE



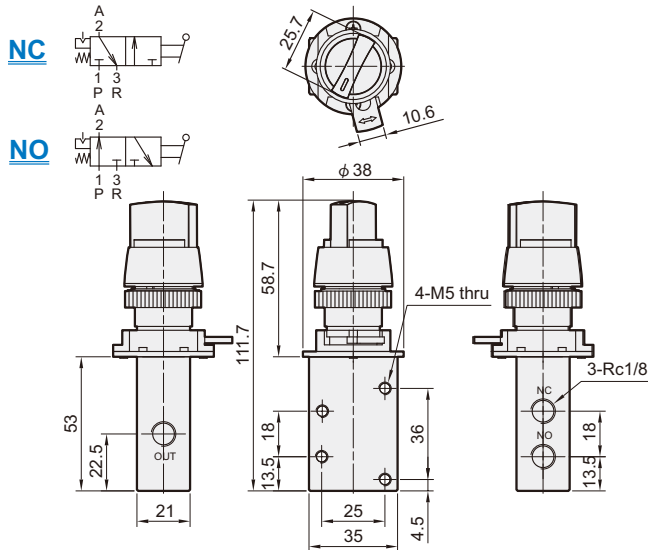
3EB-22



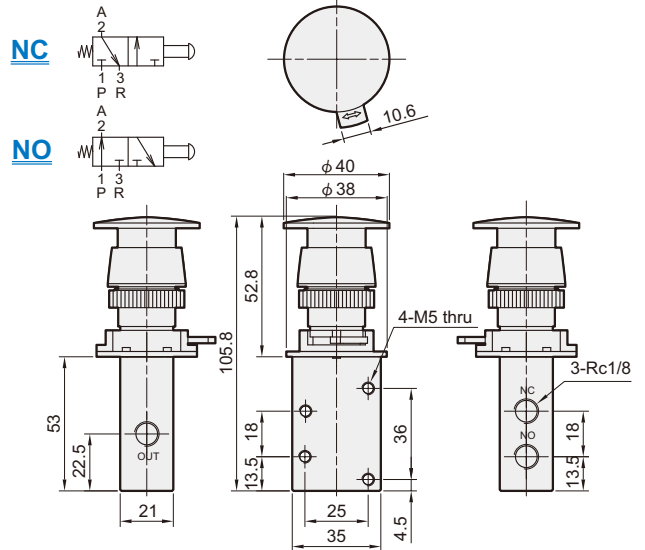
3LB-22



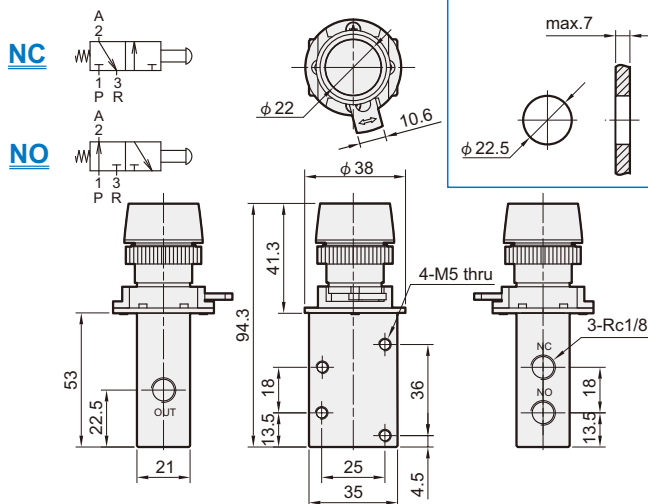
3TB-22



3PB-22



3PP-22



3R1

