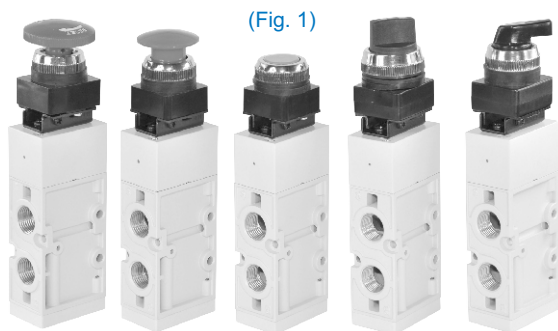


# MVMB-300-4\*\* series

MECHANICAL VALVE



(Fig. 1)

## Specification

Model	MVMB-300-4**
Bore No.	10A
Port size	Rc3/8
No. of port	5
No. of position	2
Medium	Air
Operating pressure range	0~0.8 MPa
Proof pressure	1 MPa
Effective orifice	30 mm <sup>2</sup>
Ambient temperature	-5~+60°C (No freezing)
Weight	315 g

Actuator-holder



(Fig. 2)

- Type  $\phi 22$  only show body and actuator-holder in (Fig. 2).
- Type  $\phi 25$ ,  $\phi 30$  fix bracket in (Fig. 1).
- Type  $\phi 22$  actuator set or released by one-action.
- Type  $\phi 25$ ,  $\phi 30$  Actuator set or released by screwdriver.

## Order example

MVMB - 300 - 4EB - 25R - G

MODEL

BODY WIDTH

BUTTON SIZE

BUTTON COLOR

PORT THREAD

4: 4way(5port)

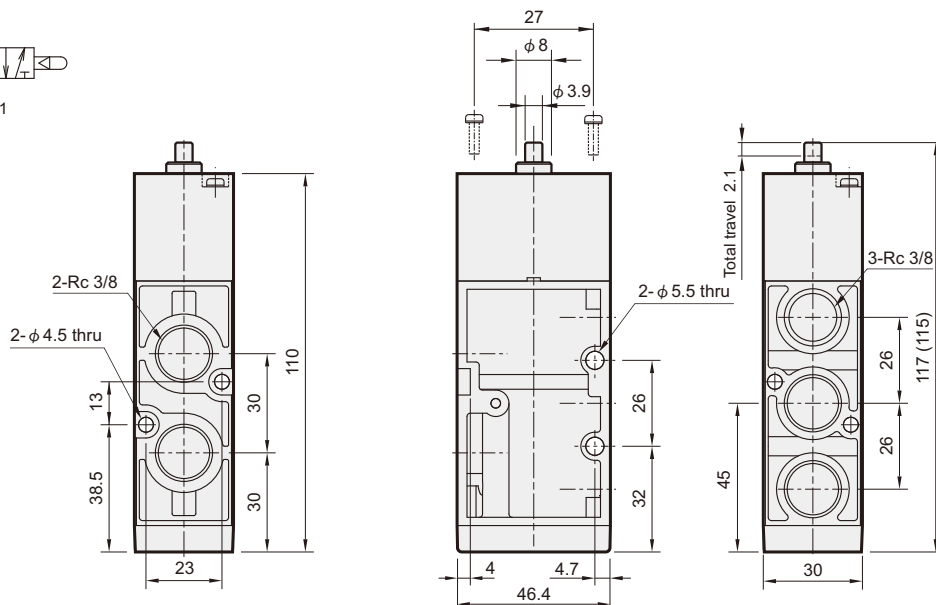
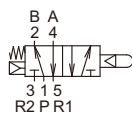
B1: Body (without button)  
EB: Latching palm button  
LB: Extended twist button  
TB: Twist button  
PB: Mushroom palm button  
PP: Push button

22:  $\phi 22$   
25:  $\phi 25$   
30:  $\phi 30$

Color	Type
—	B1 type
G: Green	EB type
R: Red	
B: Black	LB type TB type
B: Black	
G: Green	PB type PP type
R: Red	

Blank: Rc thread  
G: G thread  
NPT: NPT thread

## MVMB-300-4B1



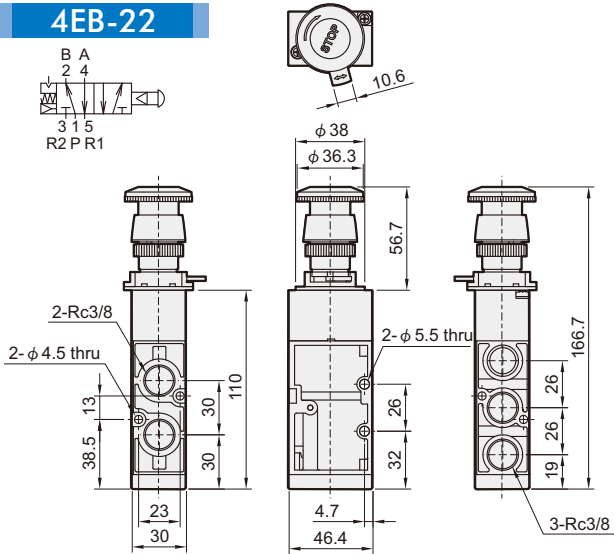
( ) : for EB type

# MVMB-300-4\*\* Dimensions

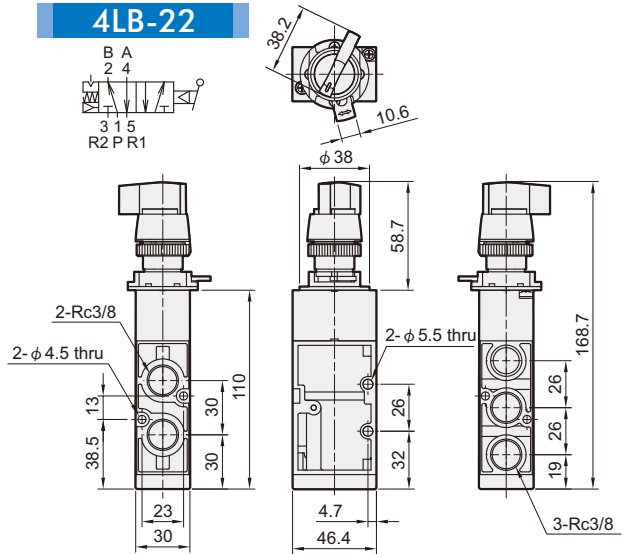
## MECHANICAL VALVE



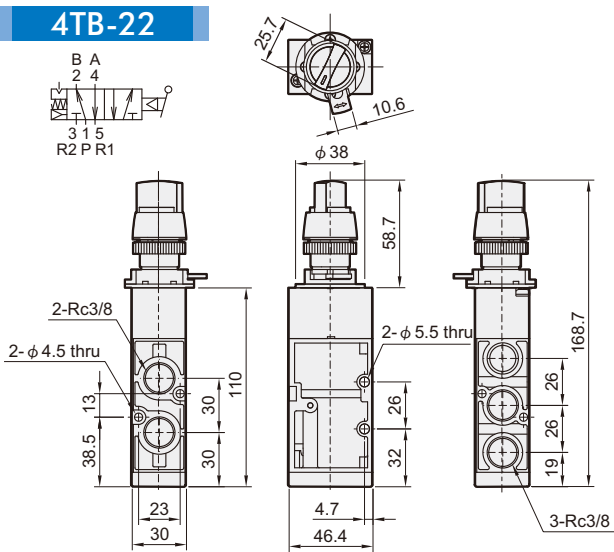
### 4EB-22



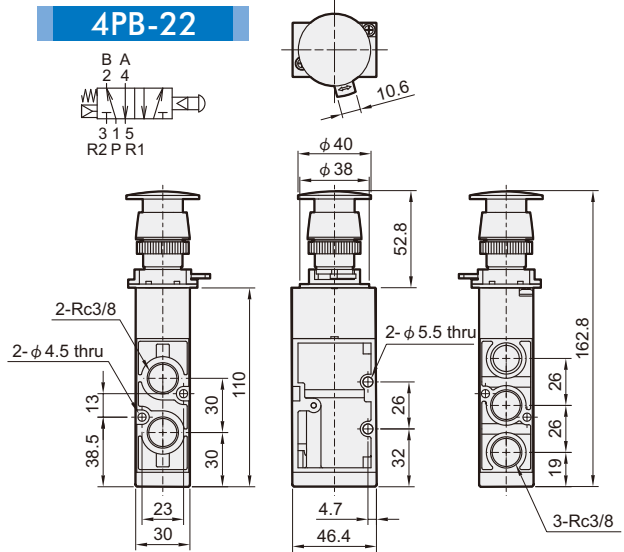
### 4LB-22



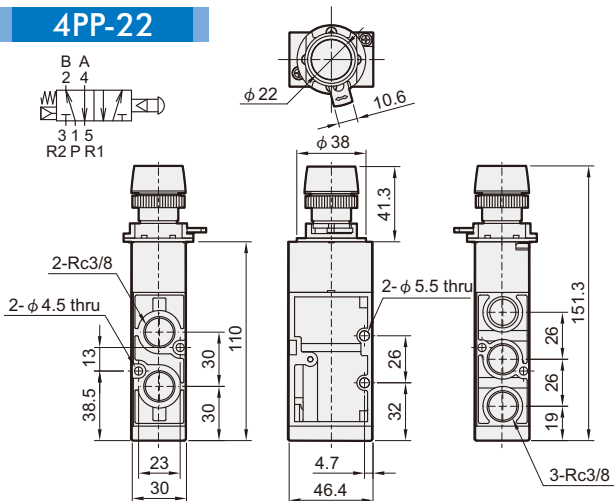
### 4TB-22



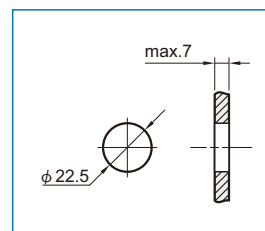
### 4PB-22



### 4PP-22



### Panel mounting hole

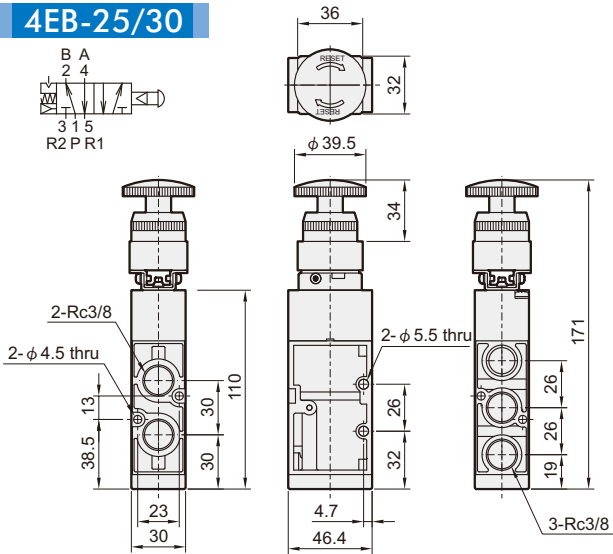


# MVMB-300-4\*\* Dimensions

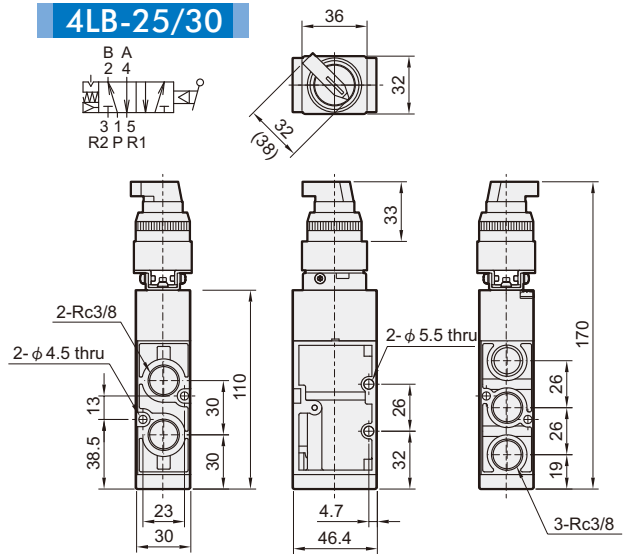
## MECHANICAL VALVE



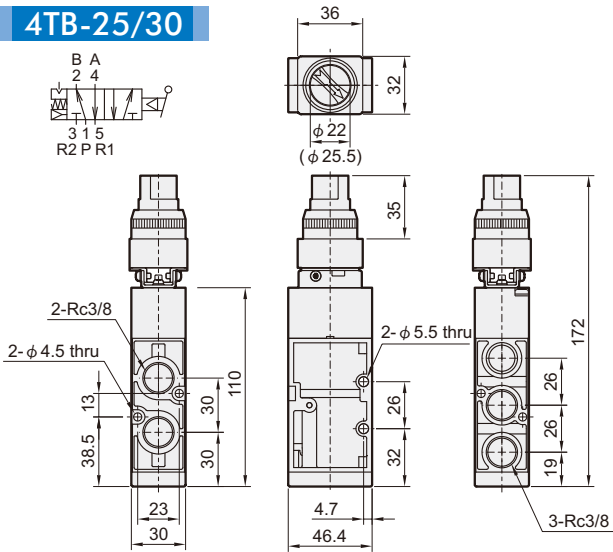
### 4EB-25/30



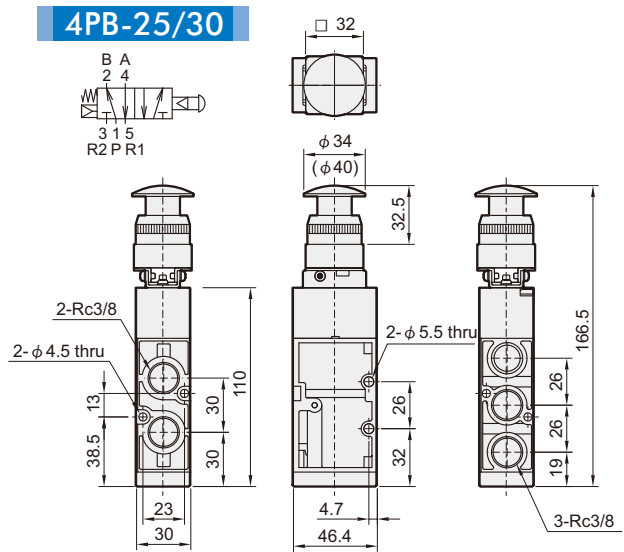
### 4LB-25/30



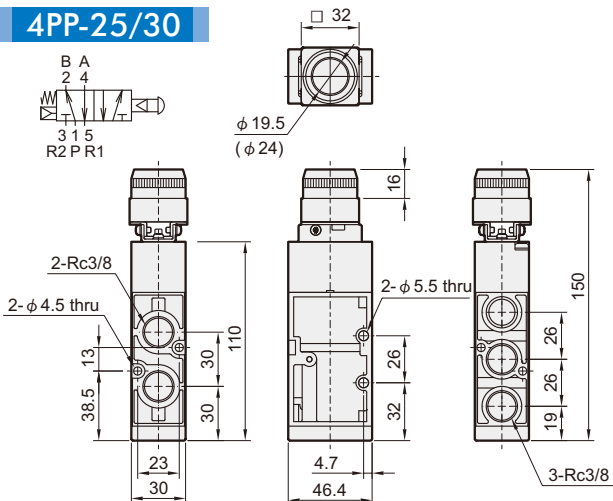
### 4TB-25/30



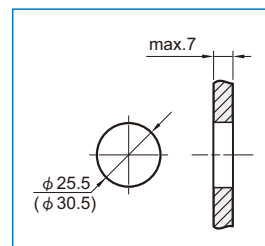
### 4PB-25/30



### 4PP-25/30



### Panel mounting hole



( ) : Dimension for button size  $\phi 30$ .