

MVHB-260 series

HAND LEVER VALVE



Mindman

Specification



| Model | MVHB-260(V)-4TV MVHB-260(V)-4TV-SP | MVHB-260(V)-4TV* MVHB-260(V)-4TV*-SP |
|--------------------------|---------------------------------------|---|
| Bore No. | 8A | |
| Port size | Rc1/4 | |
| No. of port | 5 | |
| No. of position | 2 | 3 |
| Medium | Air | |
| Operating pressure range | 0~0.8 MPa | |
| Effective orifice | 18 mm ² | |
| Ambient temperature | -5~+60°C (No freezing) | |
| Weight | 219 g | 278 g |

Order example

MVHB-260V-4TVC-SP-G

MODEL

BODY WIDTH

4 way

VALVE TYPE

Blank: 5/2
C: Close center (5/3)
P: Pressure center (5/3)
R: Exhaust center (5/3)

SPRING RETURN

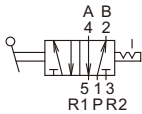
PORT THREAD

Blank: Rc thread
G: G thread
NPT: NPT thread

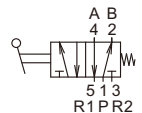
Blank: Standard type
V: Vertical type

※ Vertical type can be used with MVSE-260 manifold (Refer to page 1-28).

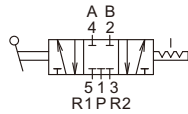
MVHB-260-4TV



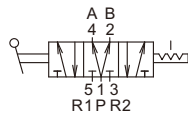
MVHB-260-4TV-SP



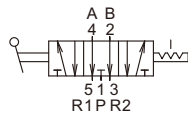
MVHB-260-4TVC



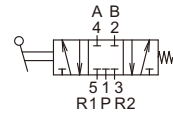
MVHB-260-4TVP



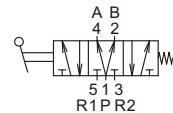
MVHB-260-4TVR



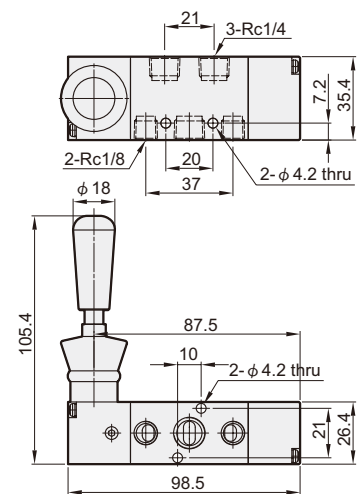
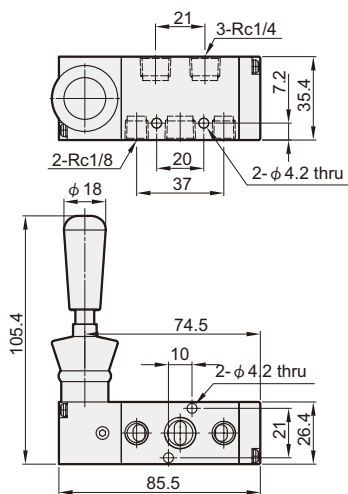
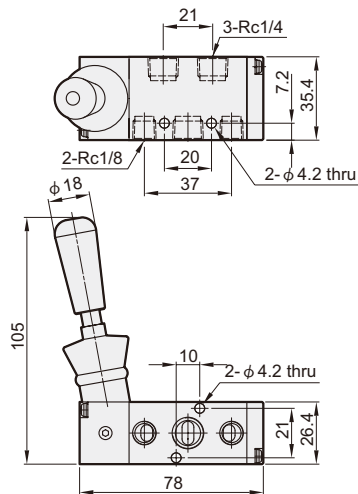
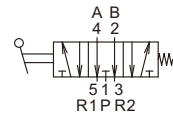
MVHB-260-4TVC-SP



MVHB-260-4TVP-SP



MVHB-260-4TVR-SP

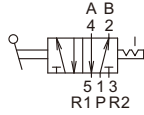


MVHB-260 Dimensions

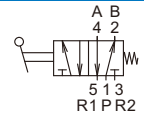
HAND LEVER VALVE



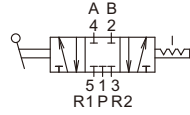
MVHB-260V-4TV



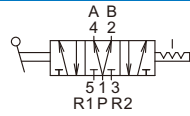
MVHB-260V-4TV-SP



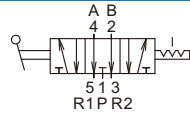
MVHB-260V-4TVC



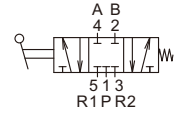
MVHB-260V-4TVP



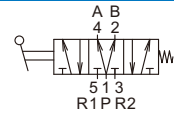
MVHB-260V-4TVR



MVHB-260V-4TVC-SP



MVHB-260V-4TVP-SP



MVHB-260V-4TVR-SP

