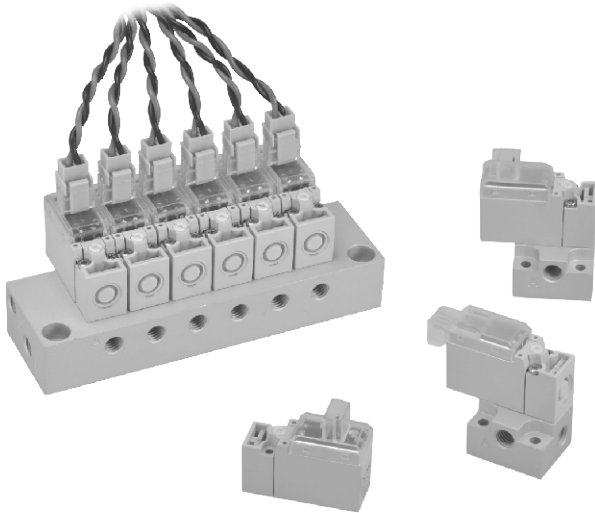


# MVDY-100 series

SOLENOID VALVE (DIRECT OPERATED TYPE)



mindman



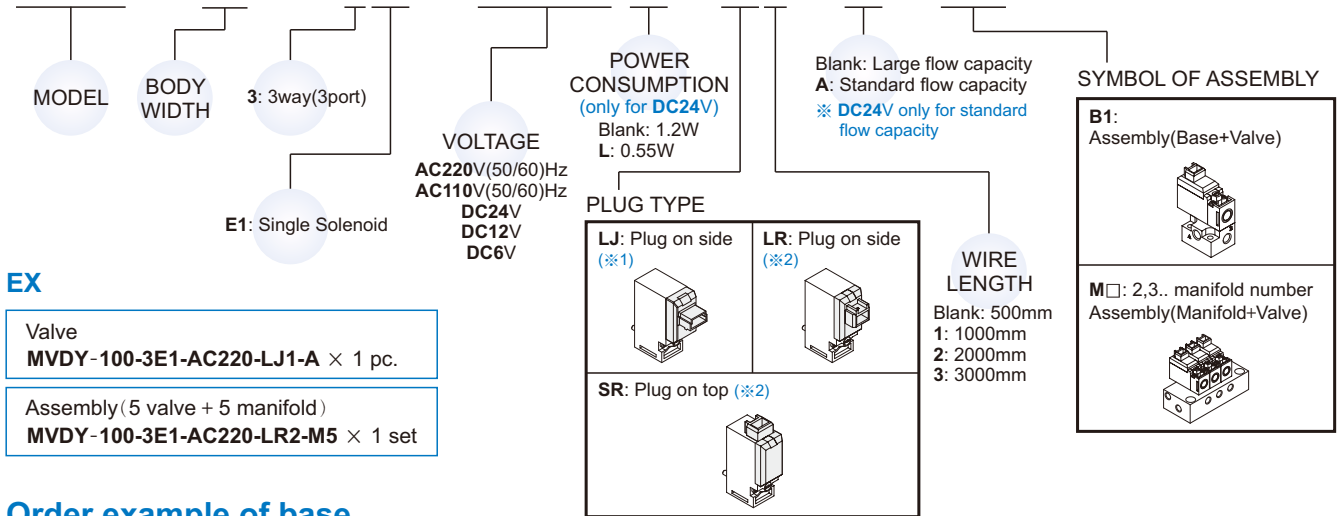
## Specification

Model	3E1	3E1-**-A	3E1-DC24L-A
No. of port	3		
No. of position	2		
Medium	Air		
Operating pressure range	0~0.7 MPa	0~0.9 MPa	0~0.85 MPa
Proof pressure	1 MPa		
Effective orifice	P → A1	0.28 mm <sup>2</sup>	0.09 mm <sup>2</sup>
	P → A2	0.23 mm <sup>2</sup>	0.1 mm <sup>2</sup>
Response time	DC: 4 ms, AC: 20 ms		
Ambient temperature	+5~+50℃		
Voltage	AC110V, AC220V(50/60)Hz, DC6/12/24V		DC24V
Power consumption	AC=1.6 / 2.5VA; DC=1.2W		0.55W
Available voltage range	±10%		
Insulation class	B class		
Weight	12 g		

※ Pressure is 0.5 MPa, at rated voltage.  
 ※ LED indicator as standard.

## Order example of valve

MVDY - 100 - 3E1 - AC110 □ - LJ1 - A - M3



### EX

- Valve  
MVDY-100-3E1-AC220-LJ1-A × 1 pc.
- Assembly (5 valve + 5 manifold)  
MVDY-100-3E1-AC220-LR2-M5 × 1 set

## Order example of base

MVDY - 100 - 3B1

MODEL                      BASE  
 3B: 3 port base

## Order example of manifold

MVDY - 100 - 3M2

MODEL                      MANIFOLD                      MANIFOLD NUMBER  
 3M: 3 port (for manifold type)                      2, 3, 4.....

## Order example of wire

MVDY - 100 - WA2J2

MODEL                      VOLTAGE                      WIRE                      WIRE LENGTH

A2: AC220V(50/60)Hz  
 A1: AC110V(50/60)Hz  
 D: DC24V/12V/6V

J: JPC type  
 R: RMH type

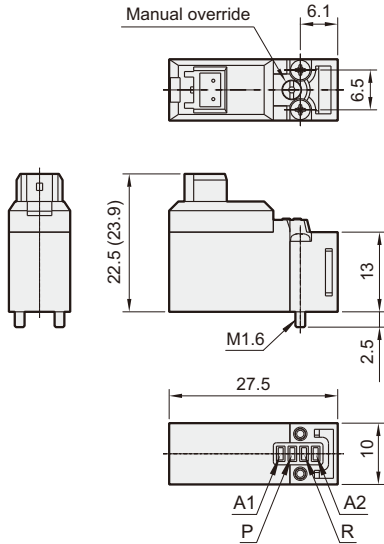
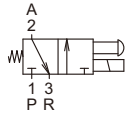
Blank: 500mm  
 1: 1000mm  
 2: 2000mm  
 3: 3000mm

# MVDY-100 Dimensions / Manifold

SOLENOID VALVE (DIRECT OPERATED TYPE)

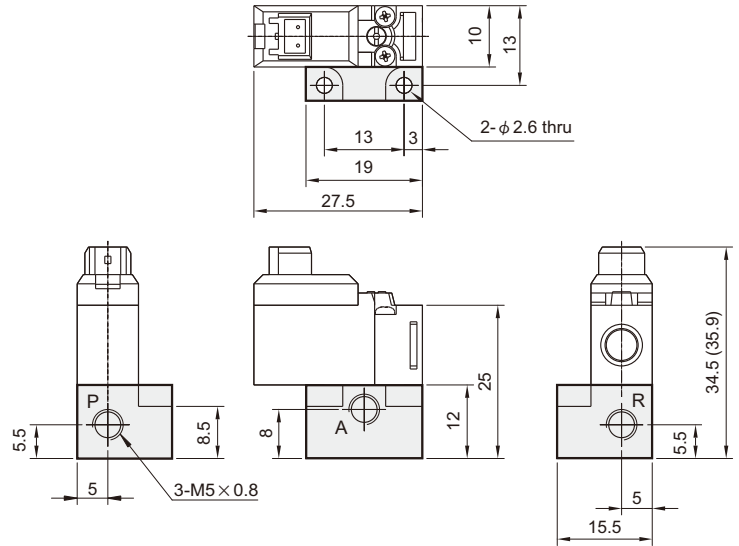


## MVDY-100-3E1



## MVDY-100-3B1

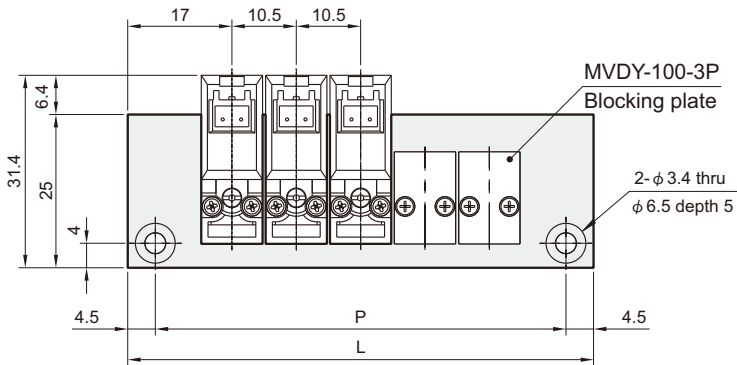
Base



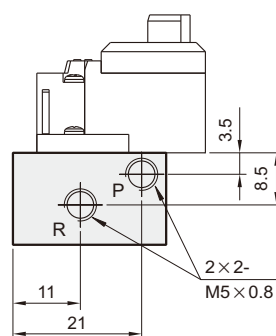
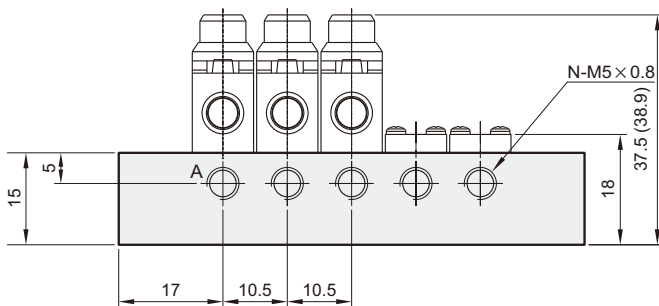
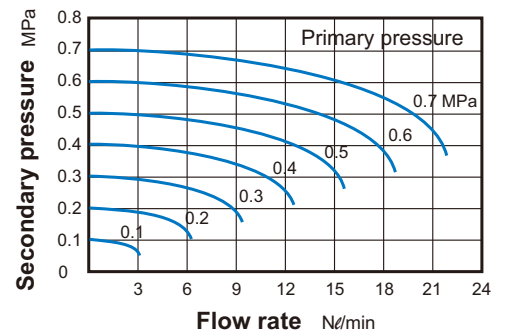
## Manifold of solenoid valve

### MVDY-100-3M\*

3 port (for manifold type)



## Flow features



No. of stations (N)	P	L
2	35.5	44.5
3	46	55
4	56.5	65.5
5	67	76
6	77.5	86.5
7	88	97
8	98.5	107.5
9	109	118
10	119.5	128.5

( ): Dimension for LJ plug type.