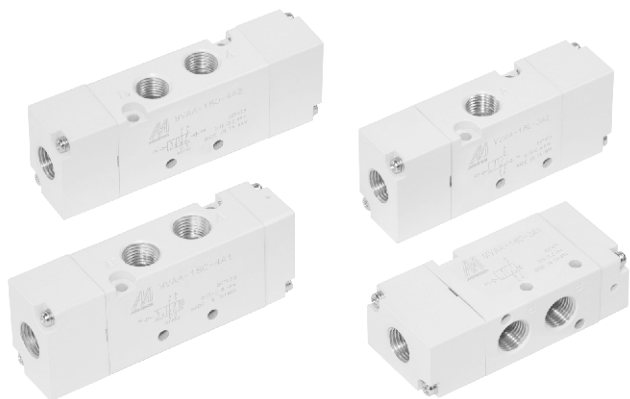


# MVAA-180 series

## PILOT VALVE



### Specification

Model	3A1 / 3A2	4A1	4A2
Bore No.	6A		
Port size	Rc1/8		
No. of port	3	5	
Medium	Air		
Operating pressure range	0~0.8 MPa	0.15~0.8 MPa	0~0.8 MPa
Proof pressure	1 MPa		
Effective orifice	12 mm <sup>2</sup>		
Pilot pressure range	(0.45 × P* + 0.1)~0.8 MPa		
Ambient temperature	-5~+60°C (No freezing)		
Weight	61 g / 74 g	71 g	84 g

※ P: Operating pressure.

### Order example

MVAA - 180 - 4A2 - NC - G

MODEL

BODY WIDTH

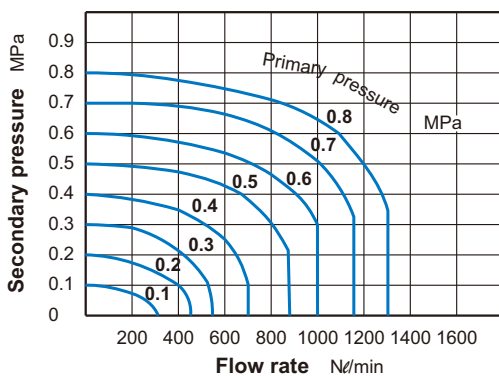
3: 3way(3port)  
4: 4way(5port)

A1: Single pilot  
A2: Double pilot

NC: Normally closed  
NO: Normally open  
(Only for 3A1 type)

PORT THREAD  
Blank: Rc thread  
G: G thread  
NPT: NPT thread

### Flow features

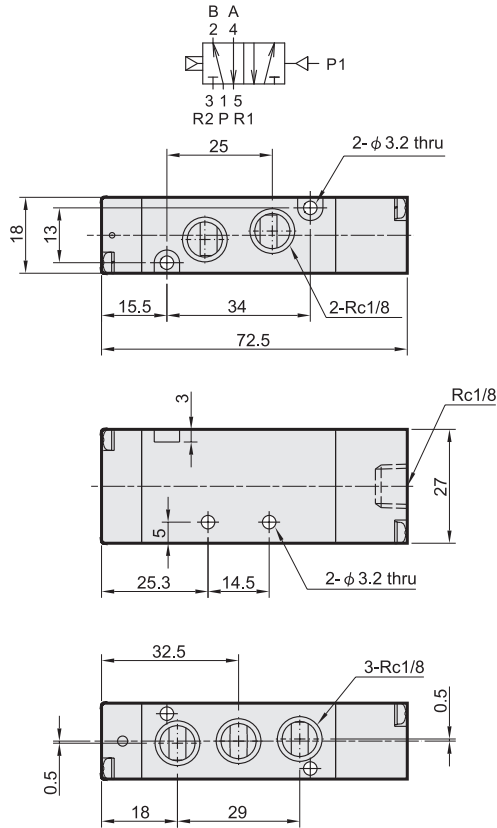


# MVAA-180 Dimensions

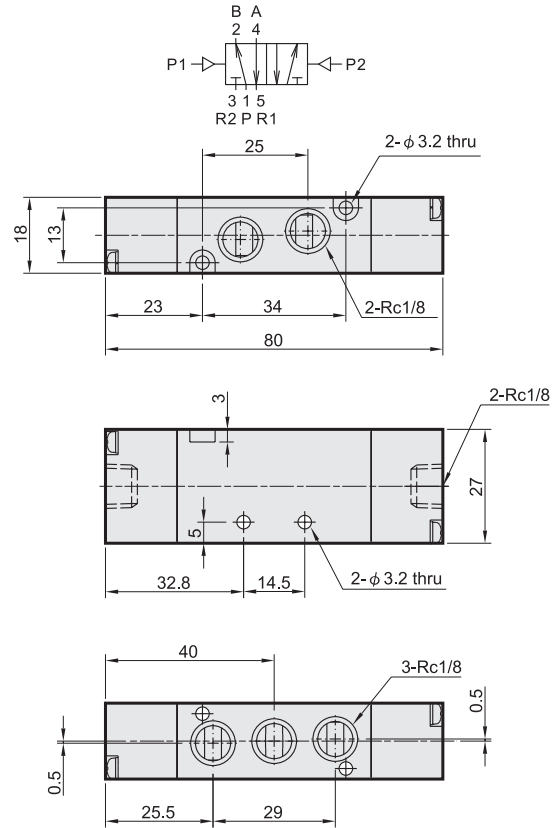
## PILOT VALVE



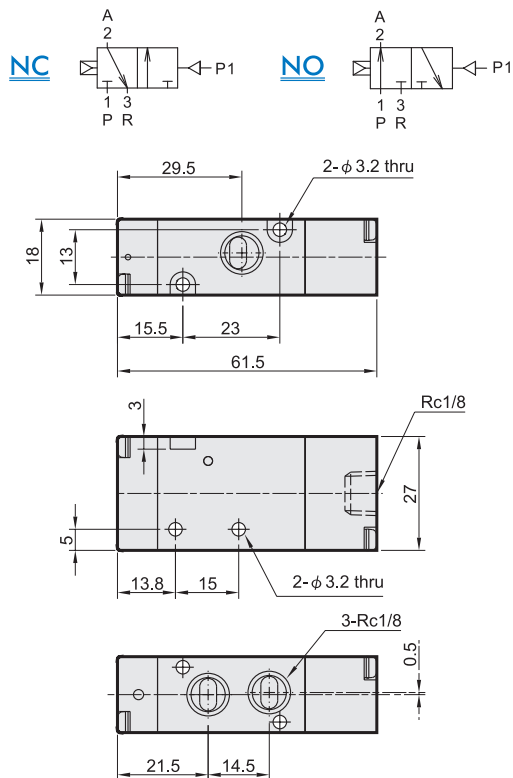
### MVAA-180-4A1



### MVAA-180-4A2



### MVAA-180-3A1-NC/NO



### MVAA-180-3A2

