

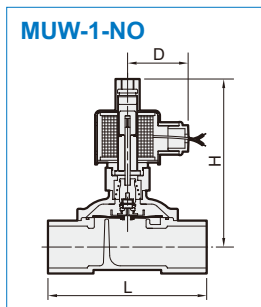
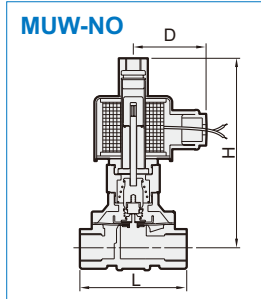
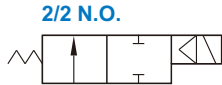
# MUW-NO series



## 2/2 WAY N.O. DIAPHRAGM TYPE SOLENOID VALVE

mindman

2-WAY normally open solenoid valve.  
Available fluid: Water, air, gas & vacuum.



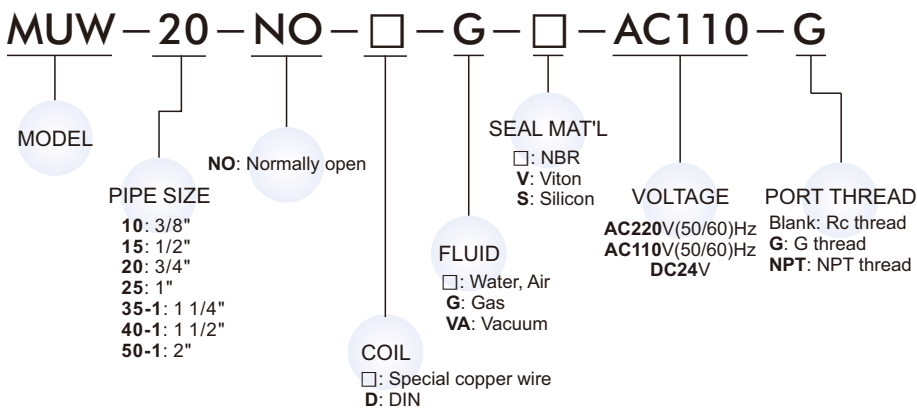
### Specification

- MUW-NO series is pilot diaphragm drive, normal open.
- Valve body made of 3/8"~ brass or 1 1/4"~2" cast bronze.
- Can be operated directly without pressure.
- Other voltage of AC/DC available when required.
- Viton(130°C), Silicon(130°C), NBR(80°C.).
- AC Voltage tolerance: ±10%  
DC Voltage tolerance: ±1%.

### Material

Parts name	Material
Body	Forge brass / Cast bronze
Coil	Special copper wire (H)
Tube	Stainless steel
Spring	Stainless steel
Core	Stainless steel
Plug	NBR, Viton, Silicon
Diaphragm	NBR, Viton, Silicon

### Order example



### Not for fluid of

- Liquid when heat, solid when cool.
- Corrosive fluid.
- Viscosity over 20 cst.
- Temperature over 80°C.

### Caution

- Pipes must be washed neat and clean before fitted.
- A Y-STRAINER has to be installed in the front of solenoid valve, that is best for long life.

Model	DIN	Pipe size	Cv	Orifice (mm)	Fluid temp	Max. operating pressure diff. MPa				Dimensions(mm)			Weight (kg)
						Water	Air	Gas	Vacuum	L	H	D	
MUW-10-NO	●	Rc3/8"	4.5	15	-5~+80°C	0~0.5	0~0.7	0~0.7	0~10 <sup>-3</sup> Torr	70	100	50	1.1
MUW-15-NO	●	Rc1/2"	4.5	15	-5~+80°C	0~0.5	0~0.7	0~0.7	0~10 <sup>-3</sup> Torr	70	100	50	1.1
MUW-20-NO	●	Rc3/4"	8.6	20	-5~+80°C	0~0.5	0~0.7	0~0.7	0~10 <sup>-3</sup> Torr	73	102	50	1.2
MUW-25-NO	●	Rc1"	12	25	-5~+80°C	0~0.5	0~0.7	0~0.7	0~10 <sup>-3</sup> Torr	93	106	50	2
MUW-35-1-NO	●	Rc1 1/4"	24	35	-5~+80°C	0~0.5	0~0.7	0~0.7	0~10 <sup>-3</sup> Torr	125	158	58	3.5
MUW-40-1-NO	●	Rc1 1/2"	28	40	-5~+80°C	0~0.5	0~0.7	0~0.7	0~10 <sup>-3</sup> Torr	125	158	58	3.8
MUW-50-1-NO	●	Rc2"	48	50	-5~+80°C	0~0.5	0~0.7	0~0.7	0~10 <sup>-3</sup> Torr	167	158	58	5.7

※ The pressure ratings indicated above are based on AC110V/220V. The maximum pressure may vary in case on DC/AC24V.