



Specification

- IP65 waterproof coil.
- Continuous cycle, 100% ED.
- Ex coil is EExm II T4 or EEx ia II C T6 PTB approval.

Power consumption

Coil power	2	3	2E	4	5	3E
AC(VA)	6.9	8.0	4.8	15.4	23.0	9.2
DC(W)	6.2	6.8	5.2	15.0	18.5	10.0

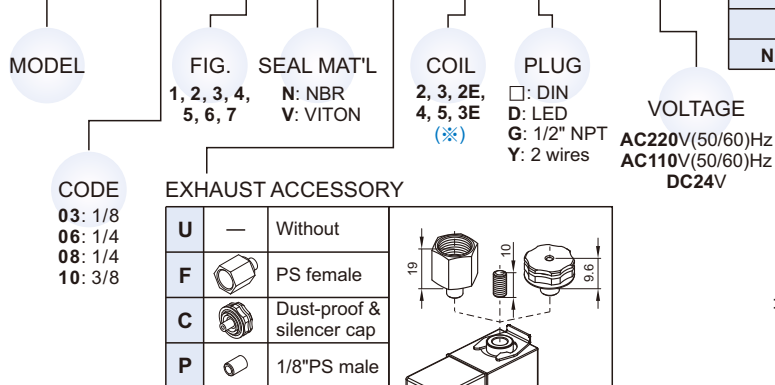
Dimensions

Model	MUST			
Code Dimension (mm)	03	06	08	10
A	18.0	23.0	31.0	31.0
B	M4	M4	M5	M5
C	50.0	50.0	53.0	53.0
D	7.0	8.0	11.5	11.5
F	22.0	22.0	29.0	29.0
H	56.5	62.0	85.0	85.0
L	25.0	30.0	40.0	40.0
N.W.(Kg)	0.23	0.28	0.52	0.60

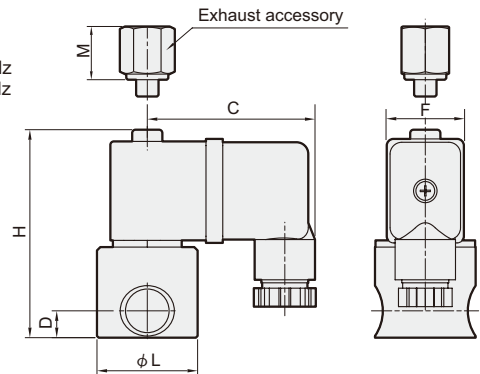
Order example

※ Explosion-Proof (2E/3E) coil with LED (D) plug is not applicable.

MUST-06-2-N-C-5-D-AC110

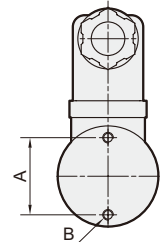


* C means with dust-proof and silencer cap. Material:PA.

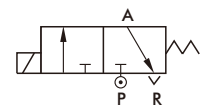


Specification

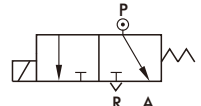
Model MUST: 303 S.S. Bar body, 3/2 way N.C., N.O., for water, air, gas, light oil, vacuum (10 ⁻¹ torr Max.).																
Code (PIPE) G	Fig no.	Seal mat'l	Coil	Orifice(mm)		Temp. °C				Max. O.P.D. bar (Min. 0 bar)						Cv
				Body	Top	Coil 2		Coil 3/2E		Coil 2		Coil 3		Coil 2E		
						N	V	N	V	1	2	1	2	1	2	
03(1/8) 06(1/4)	1	N V	2 3 2E	0.8	1.0	-5 80	-10 90	-5 80	-10 120	10	10	14	13	10	10	0.02
	2			1.0	1.0					7	7	10	7	10	0.03	
	3			1.2	1.2					6	6	7	6	7	0.05	
	4			1.6	1.2					4	4	5	4	4	7	0.09
	5			2.0	1.2					3	3	4	3	3	7	0.14
	6			2.4	1.5					2	2	3	2	2	5	0.18
	7			3.0	1.5					1	1	5	2	1	5	0.23
08(1/4) 10(3/8)	1	N V	4 5 3E	1.3	1.6	-5 80	-10 145	-5 80	-10 145	10	10	16	16	10	10	0.07
	2			1.6	1.6					7	7	13	13	7	13	0.10
	3			2.0	1.6					5	5	10	10	5	10	0.15
	4			2.5	2.0					4	4	7	7	4	7	0.20
	5			3.0	2.0					3	3	10	10	3	10	0.31
	6			4.0	2.5					2	2	7	7	2	7	0.54
	7			5.0	3.0					1	1	5	2	1	5	0.80



3/2 Function 1



3/2 Function 2



※ O.P.D. of function 1, 2 refer to specification table.