



Specification

- IP65 waterproof coil.
- Continuous cycle, 100% ED.
- Ex coil is EExm II T4 or EEx ia II C T6 PTB approval.

Power consumption

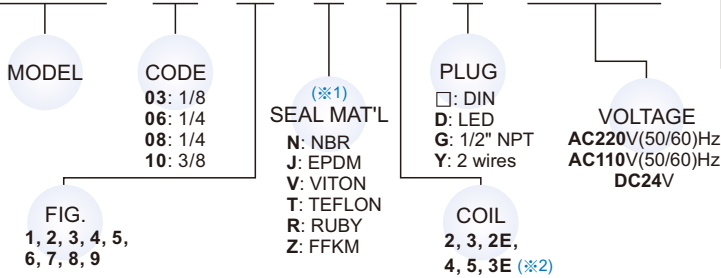
Coil power	2	3	2E	4	5	3E
AC(VA)	6.9	8.0	4.8	15.4	23.0	9.2
DC(W)	6.2	6.8	5.2	15.0	18.5	10.0

Dimensions

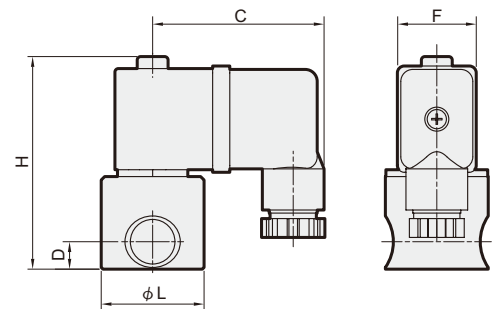
Model	MUSC			
Code Dimension (mm)	03	06	08	10
A	18.0	23.0	31.0	31.0
B	M4	M4	M5	M5
C	50.0	50.0	53.0	53.0
D	7.0	10.0	11.0	12
F	22.0	22.0	29.0	29.0
H	56.5	63.0	86.0	87.0
L	25.0	30.0	40.0	42.0
N.W.(Kg)	0.23	0.28	0.52	0.60

Order example

MUSC-06-2-N-3-D-AC110



- *1. When the seal material is (T) TEFLON or (R) RUBY, the valve has slight leakage.
- *2. Explosion-Proof (2E/3E) coil with LED (D) plug is not applicable.



Specification

Model MUSC: 303 S.S. Bar body, for water, air, gas, oil, vacuum.																							
Code (PIPE) G	Fig. no.	Seal mat'l	Coil	Orifice mm	Temp. °C						Max. O.P.D. bar (Min. 0 bar)						Cv	VAC. torr					
					Coil 2/2E			Coil 3			Coil 2		Coil 3		Coil 2E								
					N	J	V	Z	N	J	V	Z	AC	DC	AC	DC			AC	DC			
03(1/8) 06(1/4)	1	N, J, V, Z	2, 3, 2E	1.0																			
	2			1.3																			
	3			1.6	-5	-10	-20	-5	-10														
	4			2.0	∧	∧	∧	∧	∧														
	5			2.5	80	80	80	80	145														
	6			3.0																			
	8			5.0																			
08(1/4) 10(3/8)	1	N, J, V, T, R, Z	4, 5, 3E	1.6																			
	2			2.0																			
	3			2.5																			
	4			3.0	-5	-10	-10	-5	-10	-20													
	5			4.0	∧	∧	∧	∧	∧	∧													
	6			5.0	80	145	160	80	145	185													
	7			6.0																			
	8			7.5																			
	9			10.0																			

* The Max. Orifice for seal T = 4.0mm, R=3.0mm, Z=5.0mm.

* Seal T and R will have slight leakage, so it will not be suitable for vacuum. Evaporable and flammable danger fluids.