

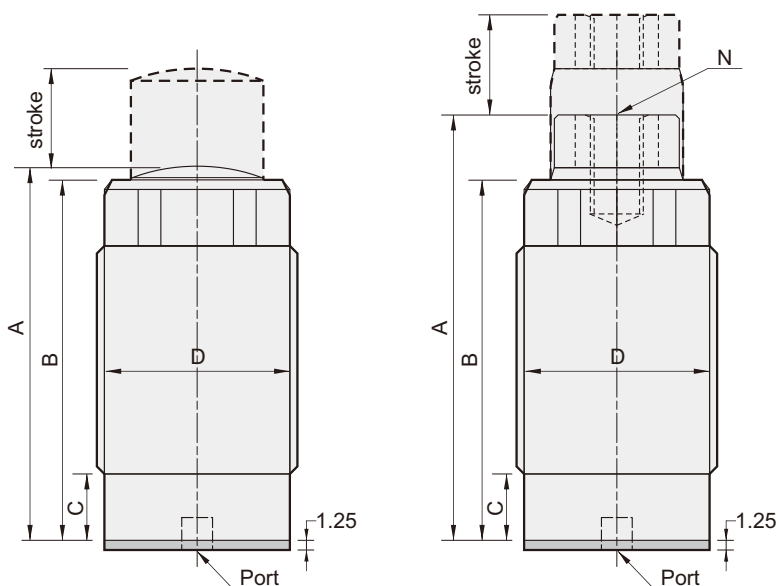


Features

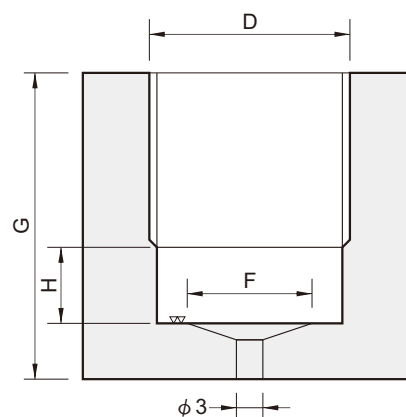
- Simple construction, high strength unit ideal for pushing heavy loads.
- Threaded body design allows quick and easy installation.
- Additional mounting heads can be fitted to rod.
- Teflon packing ensures zero leakage.

A series

B series



Mounting diagram



Item	Model	MTC-12A	MTC-16A	MTC-20A	MTC-25A	MTC-12B	MTC-16B	MTC-20B	MTC-25B
Normal operating pressure		2~35 MPa							
Cylinder operating		Single-acting							
Stroke (mm)		10	12	15	16	10	12	15	16
Piston- ϕ (mm)		12	16	20	25	12	16	20	25
Theoretical force (20 MPa)		200 kg	400 kg	620 kg	980 kg	200 kg	400 kg	620 kg	980 kg
A (mm)		38	46.5	56	57	45	52	64.5	67
B (mm)		36	44.5	54	55	36	44.5	54	55
C (mm)		7	8	8	11	7	8	8	11
D (mm)		M22 \times 1.5	M26 \times 1.5	M30 \times 1.5	M38 \times 1.5	M22 \times 1.5	M26 \times 1.5	M30 \times 1.5	M38 \times 1.5
N (mm)						M6 \times 1.0	M6 \times 1.0	M8 \times 1.25	M8 \times 1.25
F (mm)		12	16	20	25	12	16	20	25
G (min) (mm)		16	20	24	28	16	20	24	28
H (max) (mm)		8	9	9	11	8	9	9	11