

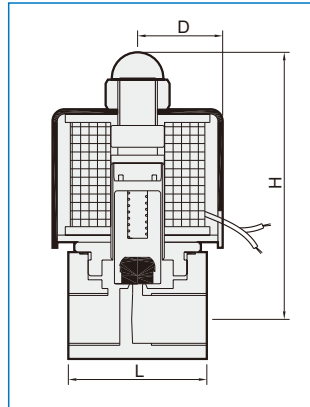
MSUS series Low flow



2/2 WAY N.C., N.O. PISTON TYPE SOLENOID VALVE

mindman

2-WAY normally closed / normally open solenoid valve.
Available fluid: Water, air, steam, gas & vacuum.



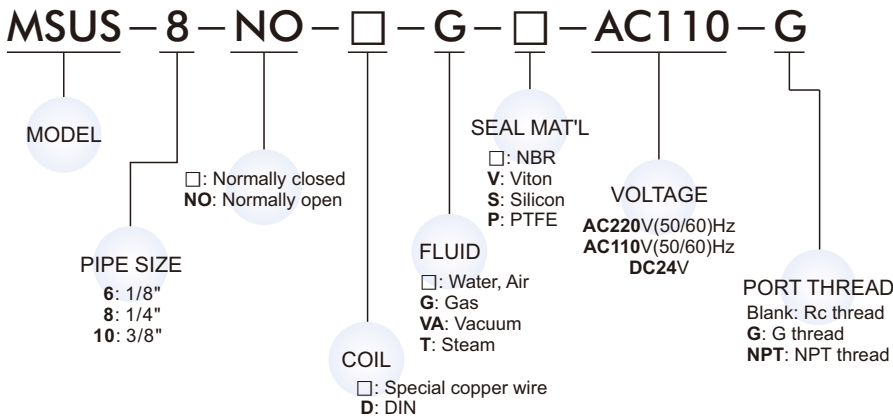
Specification

- MSUS series is direct-drive, conductive, normal close.
- Valve body made of investment casting S/S 316.
- Small size & easy assembly.
- Can be operated directly without pressure.
- Other voltage of AC/DC available when required.
- Viton(130°C), Silicon(130°C), PTFE(185°C), NBR(80°C.).
- AC Voltage tolerance: $\pm 10\%$.
DC Voltage tolerance: $\pm 1\%$.

Material

Parts name	Material
Body	Stainless steel
Coil	Special copper wire (H)
Tube	Stainless steel
Spring	Stainless steel
Core	Stainless steel
Plug	NBR, Viton, Silicon, PTFE
Washer	NBR, PTFE

Order example



Not for fluid of

- Liquid when heat, solid when cool.
- Corrosive fluid.
- Viscosity over 20 cst.

Caution

- Pipes must be washed neat and clean before fitted.
- A Y-STRAINER has to be installed in the front of solenoid valve, that is best for long life.

	Model	DIN	Pipe size	Cv	Orifice (mm)	Fluid temp	Max. operating pressure diff. MPa					Dimensions(mm)			Weight (kg)
							Water	Air	Steam	Gas	Vacuum	L	H	D	
NC	MSUS-6		Rc1/8"	0.23	2.5	-5~+185°C	0~0.7	0~0.7	0~0.7	—	—	41	63	21	0.3
	MSUS-8		Rc1/4"	0.23	2.5	-5~+185°C	0~0.7	0~0.7	0~0.7	—	—	41	63	21	0.3
	MSUS-10	●	Rc3/8"	0.58	4	-5~+185°C	0~1	0~1	0~1	—	—	54	75	48	0.6
NO	MSUS-6-NO		Rc1/8"	0.23	2.5	-5~+80°C	0~0.7	0~0.7	—	0~0.7	0~10 ⁻³ Torr	41	90	21	0.4
	MSUS-8-NO		Rc1/4"	0.23	2.5	-5~+80°C	0~0.7	0~0.7	—	0~0.7	0~10 ⁻³ Torr	41	90	21	0.4
	MSUS-10-NO		Rc3/8"	0.58	4	-5~+80°C	0~1	0~1	—	0~1	0~10 ⁻³ Torr	54	116	48	0.7

※ The pressure ratings indicated above are based on AC110V/220V. The maximum pressure may vary in case on DC/AC24V.

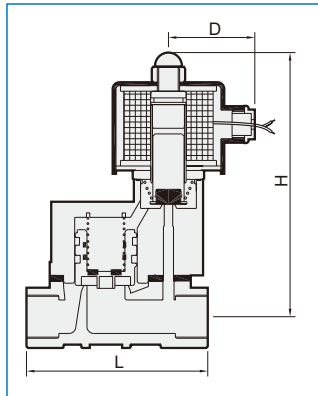
MSUS series High flow



2/2 WAY N.C., N.O. PISTON TYPE SOLENOID VALVE

mindman

2-WAY normally closed / normally open solenoid valve.
Available fluid: Water, air, steam & Light oil.



Specification

- MSUS series is multiplex-drive, piston guide, conductive normal close / normal open.
- Valve body made of investment casting S/S 316.
- Can be operated directly without pressure.
- Other voltage of AC/DC available when required.
- The standard product fluid temperature is 185°C (PTFE).
- Applicable for working in high frequency movement location.
- AC Voltage tolerance: $\pm 10\%$.
- DC Voltage tolerance: $\pm 1\%$.

Material

Parts name	Material
Body	Stainless steel
Coil	Special copper wire (H)
Piston	Stainless steel
Tube	Stainless steel
Spring	Stainless steel
Core	Stainless steel
Plug	PTFE
Bonne / Nut	PTFE

Order example

MSUS - 35 - NO - □ - T - AC110 - G

MODEL

PIPE SIZE

- 15: 1/2"
- 20: 3/4"
- 25: 1"
- 35: 1 1/4"
- 40: 1 1/2"
- 50: 2"

□: Normally closed
NO: Normally open

FLUID

- : Water, Air
- LO: Light oil (Note, if diesel fuel or gasoline.)
- T: Steam (D coil not apply)

COIL

- : Special copper wire
- D: DIN

VOLTAGE

- AC220V(50/60)Hz
- AC110V(50/60)Hz
- DC24V

PORT THREAD

- Blank: Rc thread
- G: G thread
- NPT: NPT thread

Not for fluid of

- Liquid when heat, solid when cool.
- Corrosive fluid.
- Viscosity over 20 cst.
- Temperature over 185°C.

Caution

- Pipes must be washed neat and clean before fitted.
- A Y-STRAINER has to be installed in the front of solenoid valve, that is best for long life.

	Model	DIN	Pipe size	Cv	Orifice (mm)	Fluid temp	Max. operating pressure diff. MPa				Dimensions(mm)			Weight (kg)
							Water	Air	Steam	Light oil	L	H	D	
NC	MSUS-15	●	Rc1/2"	4	17	-5~+185°C	0.05~1	0.05~1	0.05~1	0.05~1	84	115	48	1.4
	MSUS-20	●	Rc3/4"	6	17	-5~+185°C	0.05~1	0.05~1	0.05~1	0.05~1	82	120	48	1.5
	MSUS-25	●	Rc1"	12	22	-5~+185°C	0.05~1	0.05~1	0.05~1	0.05~1	100	134	48	1.8
	MSUS-35	●	Rc1 1/4"	18	30	-5~+185°C	0.05~1	0.05~1	0.05~1	0.05~1	125	138	48	2.8
	MSUS-40	●	Rc1 1/2"	22	30	-5~+185°C	0.05~1	0.05~1	0.05~1	0.05~1	125	146	48	2.9
	MSUS-50	●	Rc2"	48	50	-5~+185°C	0.05~1	0.05~1	0.05~1	0.05~1	168	173	48	5.8
NO	MSUS-15-NO		Rc1/2"	4	17	-5~+185°C	0.05~1	0.05~1	0.05~1	0.05~0.8	82	120	48	1.4
	MSUS-20-NO		Rc3/4"	6	17	-5~+185°C	0.05~1	0.05~1	0.05~1	0.05~0.8	82	120	48	1.5
	MSUS-25-NO		Rc1"	12	22	-5~+185°C	0.05~1	0.05~1	0.05~1	0.05~0.8	100	134	48	1.8
	MSUS-35-NO		Rc1 1/4"	18	30	-5~+185°C	0.05~1	0.05~1	0.05~1	0.05~0.8	125	138	48	2.8
	MSUS-40-NO		Rc1 1/2"	22	30	-5~+185°C	0.05~1	0.05~1	0.05~1	0.05~0.8	125	146	48	2.9
	MSUS-50-NO		Rc2"	48	50	-5~+185°C	0.05~0.8	0.05~0.8	0.05~0.8	0.05~0.8	168	173	48	5.8

※ The pressure ratings indicated above are based on AC110V/220V. The maximum pressure may vary in case on DC/AC24V.