



Specification

Model	MSAR	
Standard type	φ 32-30	1350 g
	φ 50-30	2150 g
	φ 80-30	9000 g
Acting type	Single acting (Spring extended)	
	Stopper with roller	
Medium	Air	
Operating pressure range	0.2~1 MPa	
Proof pressure	1.5 MPa	
Ambient temperature	-5~+60°C (No freezing)	
Lubrication	Not required	
Cushion	With rubber cushion pad	
Magnet	Without magnet	

Order example

MSAR – 32 – 30 – G

MODEL

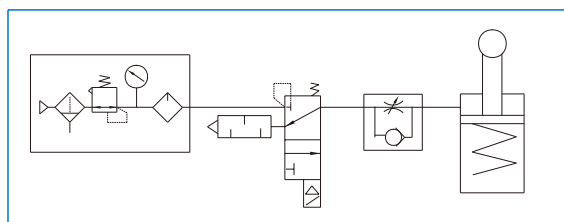
BORE SIZE
(mm)

STROKE
(mm)

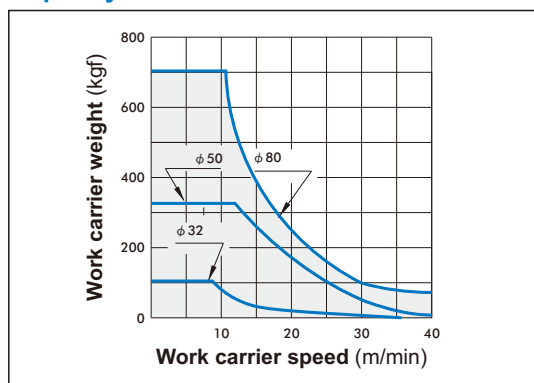
PORT THREAD
Blank: Rc thread
G: G thread
NPT: NPT thread

Piping diagram

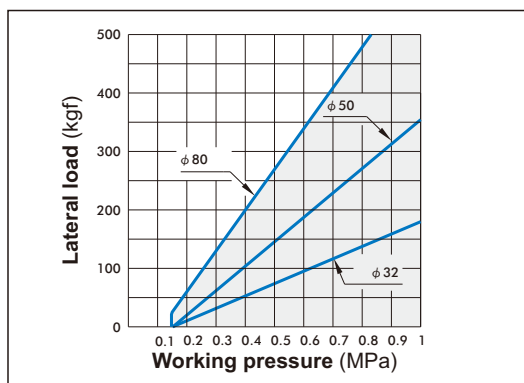
Single acting



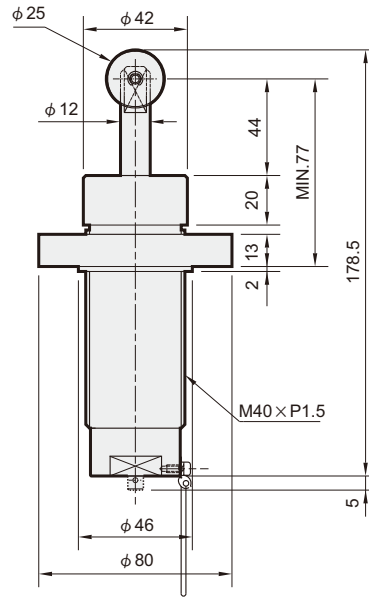
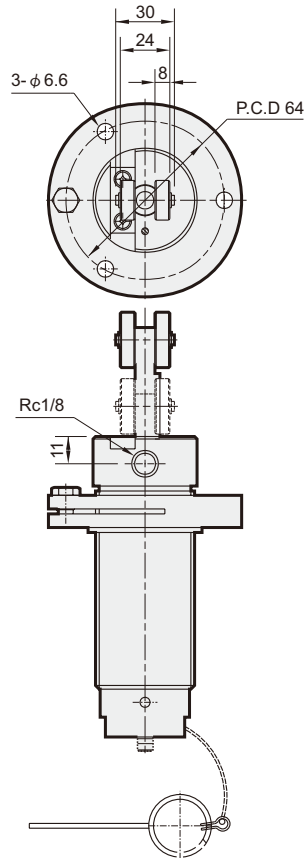
MSAR Capacity



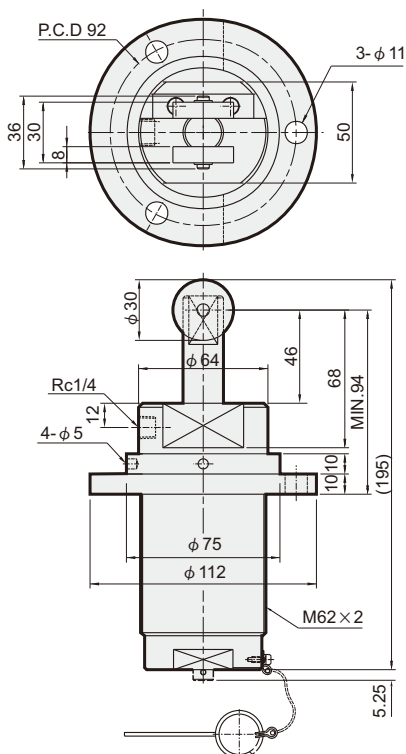
MSAR Normal lateral load



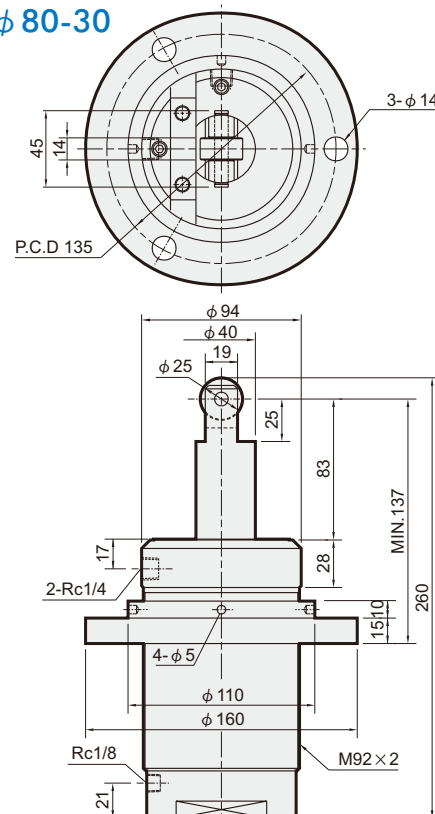
MSAR $\phi 32-30$



MSAR $\phi 50-30$



MSAR $\phi 80-30$



※ Roller is made of stainless steel.