

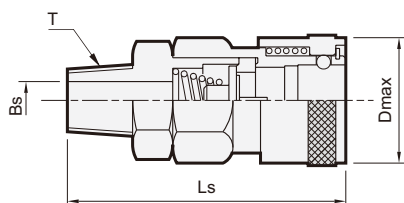
MSM...



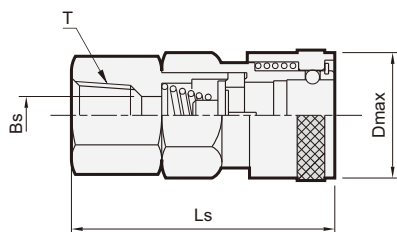
MSM...A (one touch type)



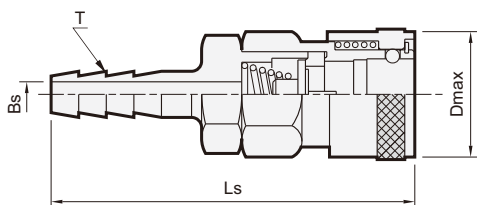
MSM (Male screw)



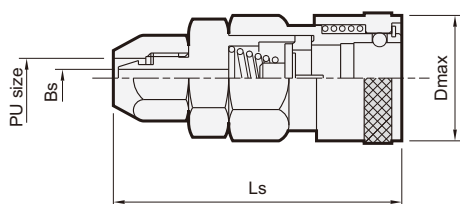
MSF (Female screw)



MSH (Hose screw)

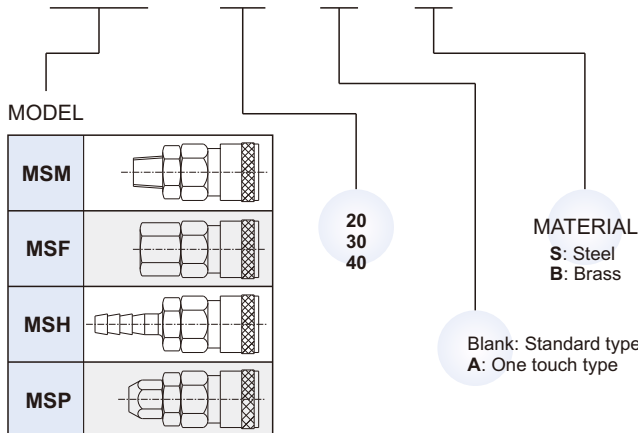


MSP (Nut style)



Order example

MSM - 20 - A - S



Model	Screw size T	Dimension (mm)			Weight (g)	
		Bs	D _{max}	Ls	Steel	Brass
MSM-20	R1/4	φ 7.5	φ 25	55.5	95	104
MSM-30	R3/8	φ 7.5	φ 25	57.5	100	109
MSM-40	R1/2	φ 9	φ 25	59.5	110	117

Model	Screw size T	Dimension (mm)			Weight (g)	
		Bs	D _{max}	Ls	Steel	Brass
MSF-20	Rc1/4	φ 7.5	φ 25	52.5	104	110
MSF-30	Rc3/8	φ 7.5	φ 25	54.5	103	111
MSF-40	Rc1/2	φ 9	φ 25	54.5	122	131

Model	Hose size T	Dimension (mm)			Weight (g)	
		Bs	D _{max}	Ls	Steel	Brass
MSH-20	5/16" Hose	φ 5	φ 25	72.5	95	104
MSH-30	3/8" Hose	φ 7.5	φ 25	76.5	100	106
MSH-40	1/2" Hose	φ 9	Hex 26/30	78.5	110	117

Model	PU size ID × OD (mm)	Dimension (mm)			Weight (g)	
		Bs	D _{max}	Ls	Steel	Brass
MSP-20	5 × 8	φ 4	φ 25	56.5	100	106
MSP-30	6.5 × 10	φ 5	φ 26	58	110	116
MSP-40	8 × 12	φ 6	φ 26	59	110	116