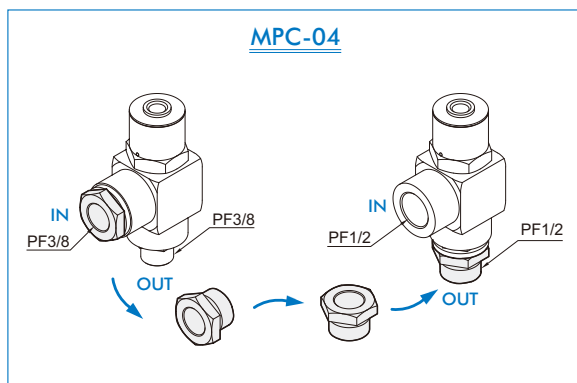
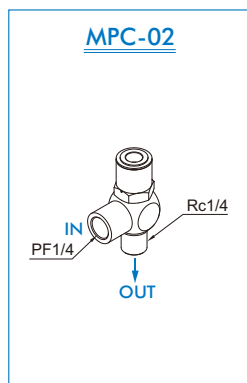


### Features

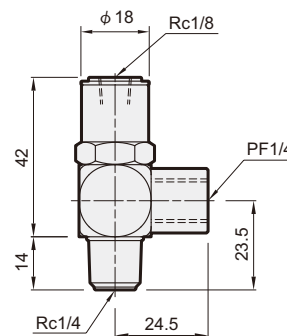
- Maintains pressure in event of air failure.
- Prevents leakage in an air system.
- Enable accurate holding of work-piece.

### Specification

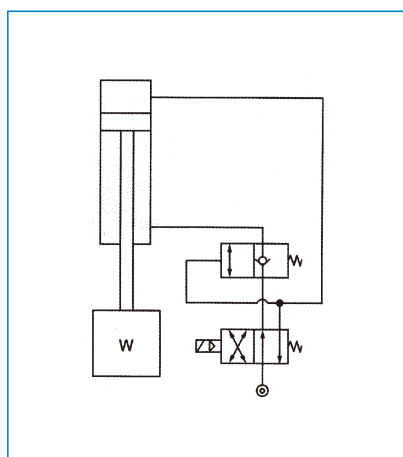
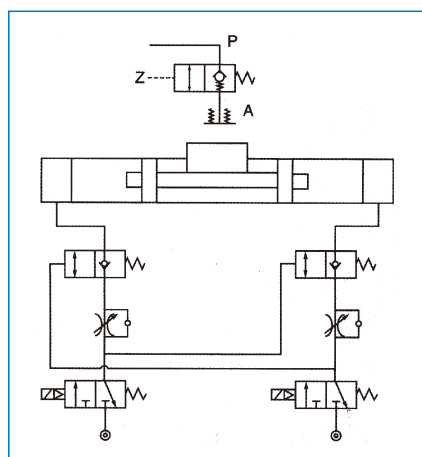
Order no.	Pressure (MPa)	Operation temperature (°C)	Orifice (mm <sup>2</sup> )	Operation time (times/min)	Weight (g)
MPC-02	0.05-0.95	-10~70 (No freezing)	24	60	100
MPC-04	0.05-0.95	-10~70 (No freezing)	79	40	340



### MPC-02



### Application example



### MPC-04

