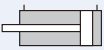

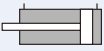
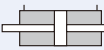



Features

- Compact body design keeps overall length to a minimum.
- Cylinder barrel internally honed to ensure smooth and consistent piston movement.
- High quality materials are used throughout construction.

Specification

Model	MHCB*						
Tube I.D. (mm)	20	25	32	40	50	63	80
The range of stroke (mm)	30	30	60	80	90	100	
Medium	Filtered oil						
Material	Carbon steel						
Operating pressure range	14 MPa						
Ambient temperature	-10~+60°C (No freezing)						

MHCBR	Front mounting (Axial front manifold type)	
MHCBF	Front mounting (Axial back manifold type)	
MHCBS	Side mounting (Manifold type)	
MHCBS..D	Side mounting (Double end rod type) (Manifold type)	
MHCBS..A	Adjustable forward stroke cylinder	
MHCBS..B	Adjustable forward stroke cylinder	




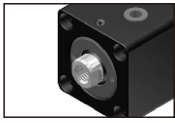



Standard stroke

● Standard products ○ Made to order

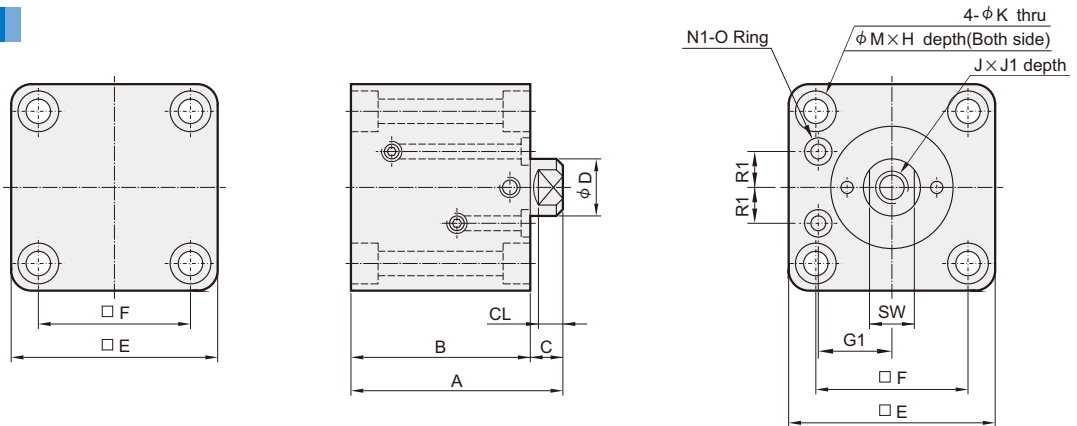
Type	Stroke Tube I.D.	5	10	15	20	25	30	35	40	45	50	60	70	80	90	100
		MHCBR	φ20	○	●	○	●	○	●	-	-	-	-	-	-	-
MHCBF	φ25	○	●	○	●	○	●	-	-	-	-	-	-	-	-	-
	φ32	●	●	●	●	●	○	○	○	○	○	-	-	-	-	-
	φ40	●	●	●	●	●	○	○	○	○	○	○	○	○	○	○
	φ50	●	●	●	●	●	○	○	○	○	○	○	○	○	○	○
	φ63	●	●	●	●	●	○	○	○	○	○	○	○	○	○	○
	φ80	●	●	●	●	●	○	○	○	○	○	○	○	○	○	○
	φ32	○	○	○	○	○	○	○	○	○	○	○	○	○	○	○
MHCBS	φ40	○	○	○	○	○	○	○	○	○	○	○	○	○	○	○
	φ50	○	○	○	○	○	○	○	○	○	○	○	○	○	○	○
	φ63	○	○	○	○	○	○	○	○	○	○	○	○	○	○	○

Order example

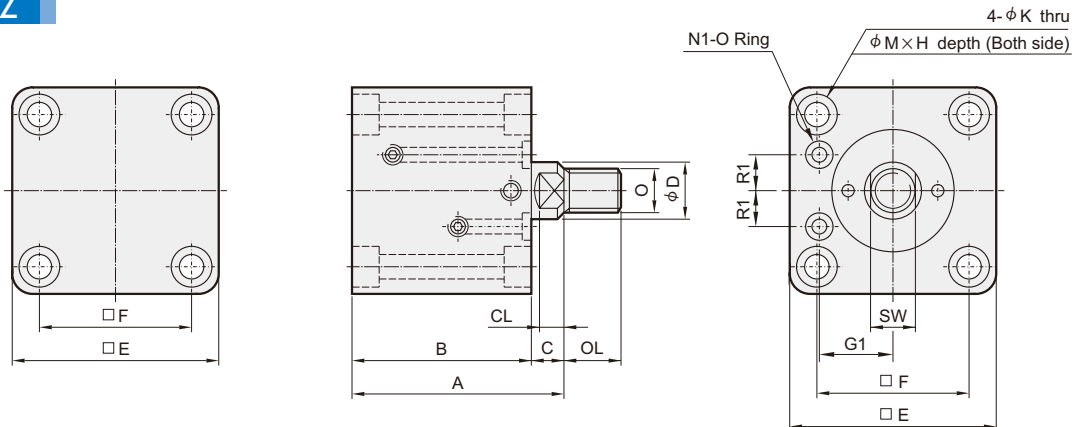
MHCBS — 50 — 30 — Z — D — A

MODEL	TUBE I.D.	STROKE	ROD END TYPE	END ROD TYPE	ADJUSTABLE STROKE
 MHCBR			 Blank: Female thread Z: Male thread	 D: Double end rod type	Blank: Standard type A: Adjustable 25mm B: Adjustable 50mm ※ Only for MHCBS model.
 MHCBF					
 MHCBS					

MHCBR



MHCBR-Z



Tube I.D. (mm)	Type	MHCBR / MHCBR-Z															
		Stroke	5	10	15	20	25	30	35	40	45	50	60	70	80	90	100
$\phi 20$	A	61	61	71	71	81	81	-	-	-	-	-	-	-	-	-	-
	B	53	53	63	63	73	73	-	-	-	-	-	-	-	-	-	-
$\phi 25$	A	63	63	73	73	83	83	-	-	-	-	-	-	-	-	-	-
	B	55	55	65	65	75	75	-	-	-	-	-	-	-	-	-	-
$\phi 32$	A	69	74	79	84	89	94	104	104	114	114	124	-	-	-	-	-
	B	59	64	69	74	79	84	94	94	104	104	114	-	-	-	-	-
$\phi 40$	A	70	75	80	85	90	95	105	105	115	115	125	135	145	-	-	-
	B	60	65	70	75	80	85	95	95	105	105	115	125	135	-	-	-
$\phi 50$	A	76	81	86	91	96	101	111	111	121	121	131	141	151	161	-	-
	B	65	70	75	80	85	90	100	100	110	110	120	130	140	150	-	-
$\phi 63$	A	85	90	95	100	105	110	120	120	130	130	140	150	160	170	180	-
	B	72	77	82	87	92	97	107	107	117	117	127	137	147	157	167	-
$\phi 80$	A	100	105	110	115	120	125	135	135	145	145	155	165	175	185	195	-
	B	83	88	93	98	103	108	118	118	128	128	138	148	158	168	178	-

Code Tube I.D.	C	CL	D	E	F	G1	H	J	J1	K	M	N1	O	OL	R1	SW
$\phi 20$	8	6	12	42	30	16.5	5.5	M8×1.25	10	5.6	9	P4	M10×1.25	20	6.5	10
$\phi 25$	8	6	14	48	36	19.5	5.5	M10×1.5	12	5.6	9	P4	M12×1.25	22	9	12
$\phi 32$	10	7	20	62	47	24	6.5	M12×1.75	15	6.6	11	P6	M16×1.5	25	12	17
$\phi 40$	10	7	25	70	52	27	9	M16×2.0	20	9	14	P6	M22×1.5	30	13	22
$\phi 50$	11	8	30	80	58	32	11	M20×2.5	25	11	18	P8	M26×1.5	35	13.5	27
$\phi 63$	13	10	35	94	69	38	13	M27×3.0	35	13	20	P8	M30×1.5	40	17.5	32
$\phi 80$	17	14	45	114	86	47	15	M30×3.5	35	15	22	P11	M39×1.5	45	22.5	41

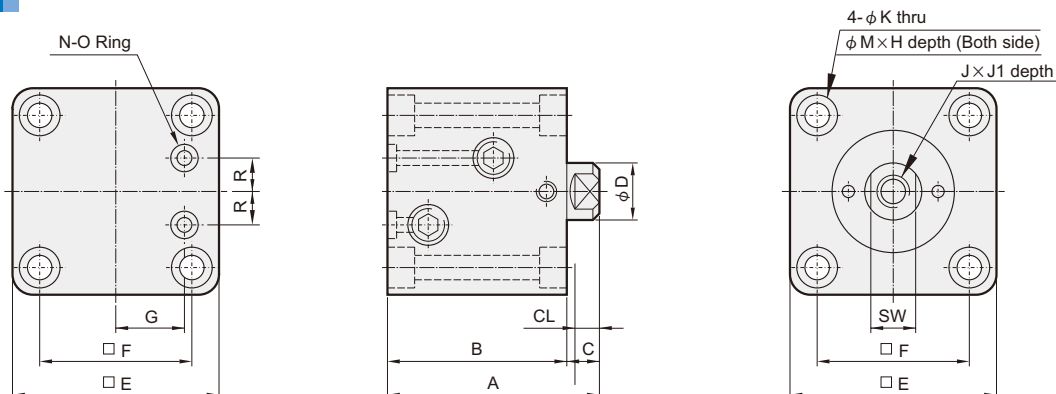
MHCBF Dimensions $\phi 20 \sim \phi 80$



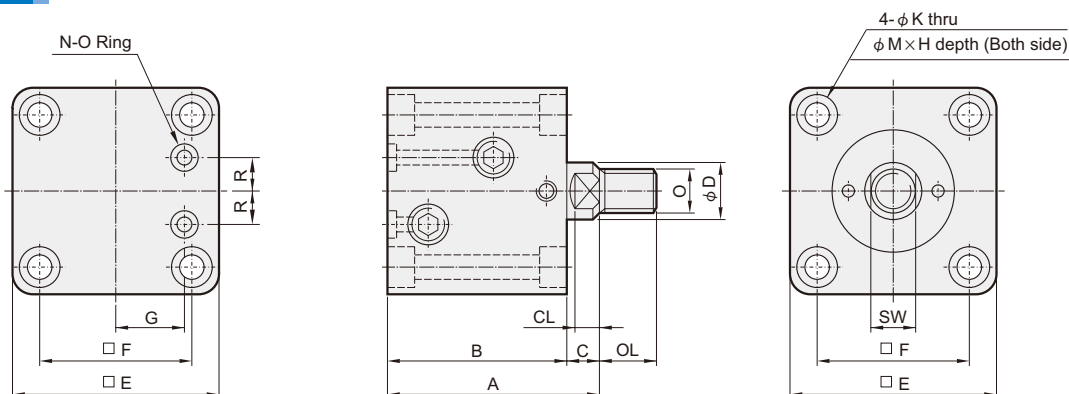
MANIFOLD TYPE HYDRAULIC CYLINDER

Mindman

MHCBF



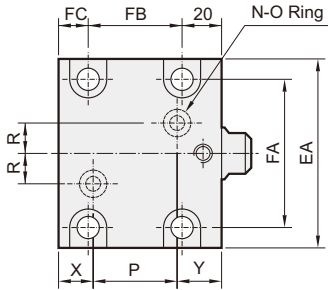
MHCBF-Z



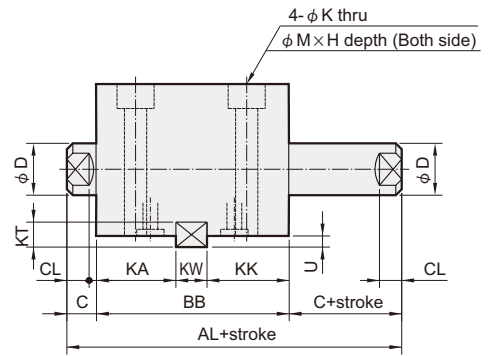
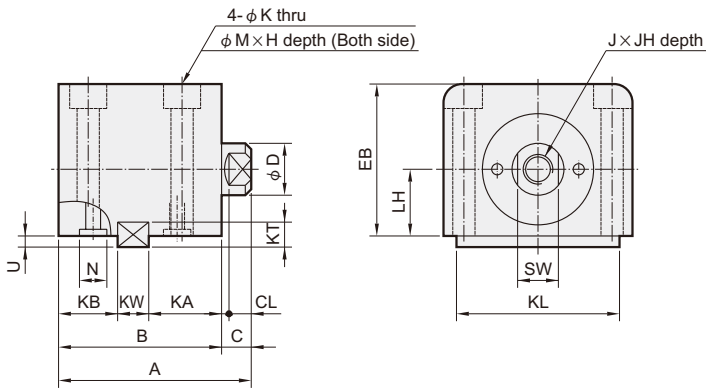
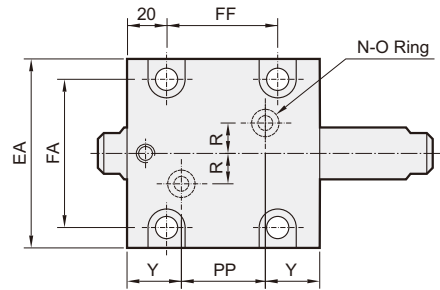
Tube I.D. (mm)	Type Stroke	MHCBF / MHCBF-Z														
		5	10	15	20	25	30	35	40	45	50	60	70	80	90	100
$\phi 20$	A	61	61	71	71	81	81	-	-	-	-	-	-	-	-	-
	B	53	53	63	63	73	73	-	-	-	-	-	-	-	-	-
$\phi 25$	A	63	63	73	73	83	83	-	-	-	-	-	-	-	-	-
	B	55	55	65	65	75	75	-	-	-	-	-	-	-	-	-
$\phi 32$	A	69	74	79	84	89	94	104	104	114	114	124	-	-	-	-
	B	59	64	69	74	79	84	94	94	104	104	114	-	-	-	-
$\phi 40$	A	70	75	80	85	90	95	105	105	115	115	125	135	145	-	-
	B	60	65	70	75	80	85	95	95	105	105	115	125	135	-	-
$\phi 50$	A	76	81	86	91	96	101	111	111	121	121	131	141	151	161	-
	B	65	70	75	80	85	90	100	100	110	110	120	130	140	150	-
$\phi 63$	A	85	90	95	100	105	110	120	120	130	130	140	150	160	170	180
	B	72	77	82	87	92	97	107	107	117	117	127	137	147	157	167
$\phi 80$	A	100	105	110	115	120	125	135	135	145	145	155	165	175	185	195
	B	83	88	93	98	103	108	118	118	128	128	138	148	158	168	178

Code Tube I.D.	C	CL	D	E	F	G	H	J	J1	K	M	N	O	OL	R	SW
$\phi 20$	8	6	12	42	30	13	5.5	M8 \times 1.25	10	5.6	9	P5	M10 \times 1.25	20	5.5	10
$\phi 25$	8	6	14	48	36	15	5.5	M10 \times 1.5	12	5.6	9	P7	M12 \times 1.25	22	6.5	12
$\phi 32$	10	7	20	62	47	20	6.5	M12 \times 1.75	15	6.6	11	P9	M16 \times 1.5	25	10	17
$\phi 40$	10	7	25	70	52	24	9	M16 \times 2.0	20	9	14	P9	M22 \times 1.5	30	10	22
$\phi 50$	11	8	30	80	58	29	11	M20 \times 2.5	25	11	18	P11	M26 \times 1.5	35	10	27
$\phi 63$	13	10	35	94	69	35	13	M27 \times 3.0	35	13	20	P11	M30 \times 1.5	40	13	32
$\phi 80$	17	14	45	114	86	44	15	M30 \times 3.5	35	15	22	P11	M39 \times 1.5	45	15	41

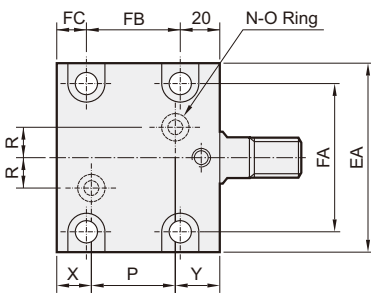
MHCBS



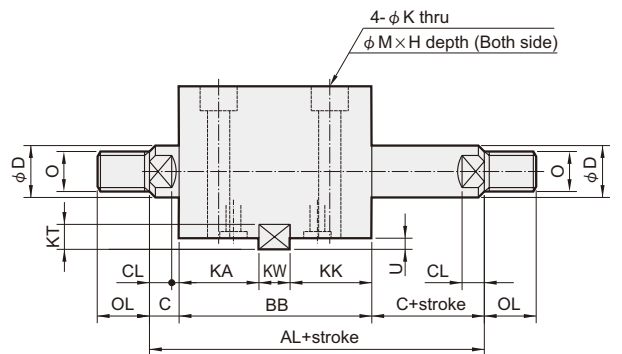
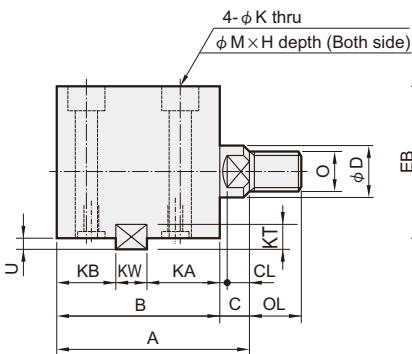
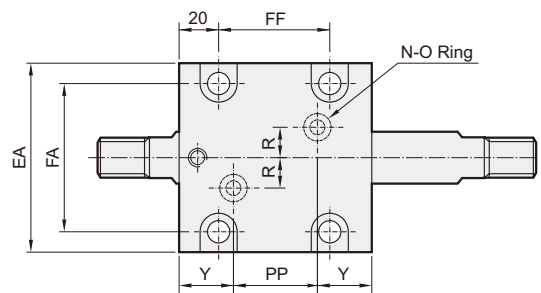
MHCBS-D



MHCBS-Z



MHCBS-ZD



Tube I.D. (mm)	Type	MHCBS / MHCBS-Z									
	Stroke	5	10	15	20	25	30	35	40	45	50
$\phi 32$	A	74	74	84	84	94	94	104	104	114	114
	B	64	64	74	74	84	84	94	94	104	104
	FB	34	34	44	44	54	54	64	64	74	74
	KB	—	—	24	24	34	34	44	44	54	54
	P	24	24	34	34	44	44	54	54	64	64
$\phi 40$	A	75	75	85	85	95	95	105	105	115	115
	B	65	65	75	75	85	85	95	95	105	105
	FB	33	33	43	43	53	53	63	63	73	73
	KB	—	—	25	25	35	35	45	45	55	55
	P	25	25	35	35	45	45	55	55	65	65
$\phi 50$	A	81	81	91	91	101	101	111	111	121	121
	B	70	70	80	80	90	90	100	100	110	110
	FB	37	37	47	47	57	57	67	67	77	77
	KB	—	—	26	26	36	36	46	46	56	56
	P	28	28	38	38	48	48	58	58	68	68
$\phi 63$	A	90	90	100	100	110	110	120	120	130	130
	B	77	77	87	87	97	97	107	107	117	117
	FB	42	42	52	52	62	62	72	72	82	82
	KB	—	—	29	29	39	39	49	49	59	59
	P	30	30	40	40	50	50	60	60	70	70

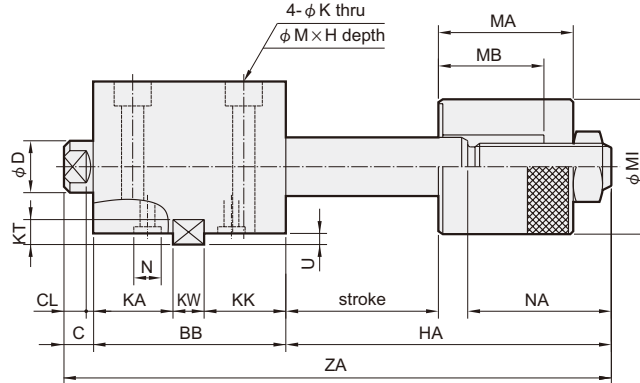
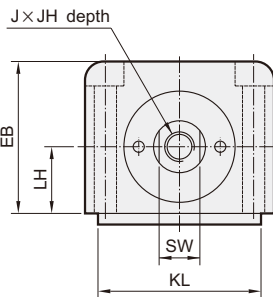
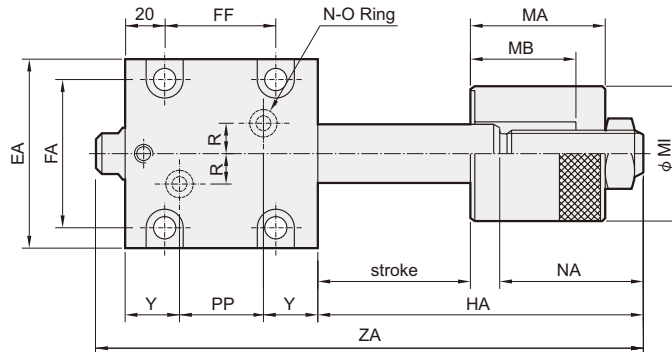
Tube I.D. (mm)	Type	MHCBS-D / MHCBS-ZD									
	Stroke	5	10	15	20	25	30	35	40	45	50
$\phi 32$	AL	104	109	124	129	144	149	164	169	184	189
	BB	79	79	89	89	99	99	109	109	119	119
	FF	42	42	52	52	62	62	72	72	82	82
	KK	—	—	39	39	49	49	59	59	69	69
	PP	23	23	33	33	43	43	53	53	63	63
$\phi 40$	AL	105	110	125	130	145	150	165	170	185	190
	BB	80	80	90	90	100	100	110	110	120	120
	FF	42	42	52	52	62	62	72	72	82	82
	KK	—	—	40	40	50	50	60	60	70	70
	PP	24	24	34	34	44	44	54	54	64	64
$\phi 50$	AL	112	117	132	137	152	157	172	177	192	197
	BB	85	85	95	95	105	105	115	115	125	125
	FF	45	45	55	55	65	65	75	75	85	85
	KK	31	31	41	41	51	51	61	61	71	71
	PP	26	26	36	36	46	46	56	56	66	66
$\phi 63$	AL	123	128	143	148	163	168	183	188	203	208
	BB	92	92	102	102	112	112	122	122	132	132
	FF	52	52	62	62	72	72	82	82	92	92
	KK	34	34	44	44	54	54	64	64	74	74
	PP	30	30	40	40	50	50	60	60	70	70

Code Tube I.D.	C	CL	D	EA	EB	FA	FC	H	J	JH	K	KA	KL	KT
$\phi 32$	10	7	20	70	56	56	10	9	M12 \times 1.75	15	9	38	63	8
$\phi 40$	10	7	25	80	64	62	12	11	M16 \times 2.0	20	11	38	70	8
$\phi 50$	11	8	30	94	74	74	13	13	M20 \times 2.5	25	13	40	80	9
$\phi 63$	13	10	35	114	89	90	15	15	M27 \times 3.0	35	15	42	100	10

Code Tube I.D.	KW	LH	M	N	O	OL	R	SW	U	X	Y
$\phi 32$	12	25	14	P9	M16 \times 1.5	25	10	17	4.5	12	28
$\phi 40$	12	29	18	P9	M22 \times 1.5	30	10	22	4.5	12	28
$\phi 50$	14	34	20	P11	M26 \times 1.5	35	10	27	5	12.5	29.5
$\phi 63$	16	42	22	P11	M30 \times 1.5	40	10	32	5.5	16	31

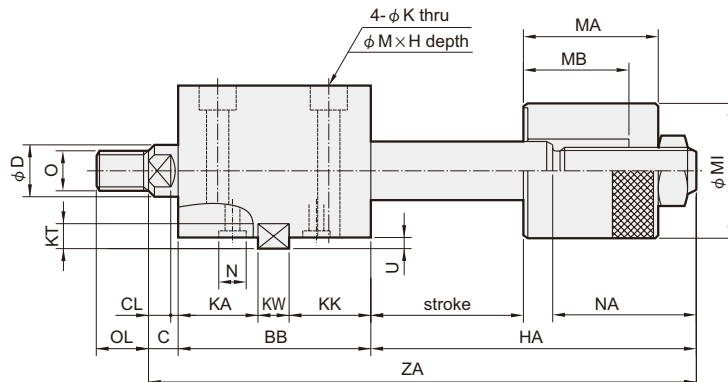
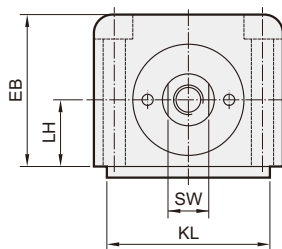
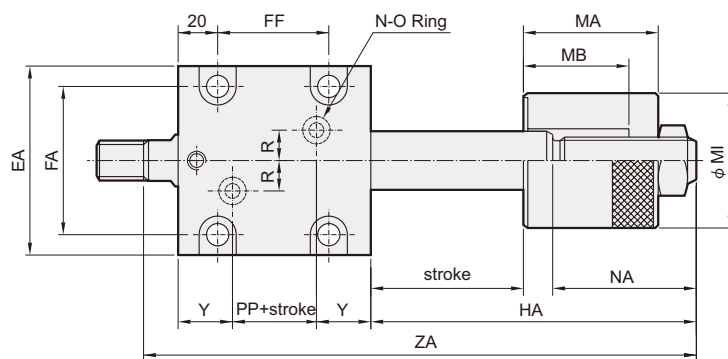
MHCBS-A

Adjustable stroke 25mm



MHCBS-Z-A

Adjustable stroke 25mm

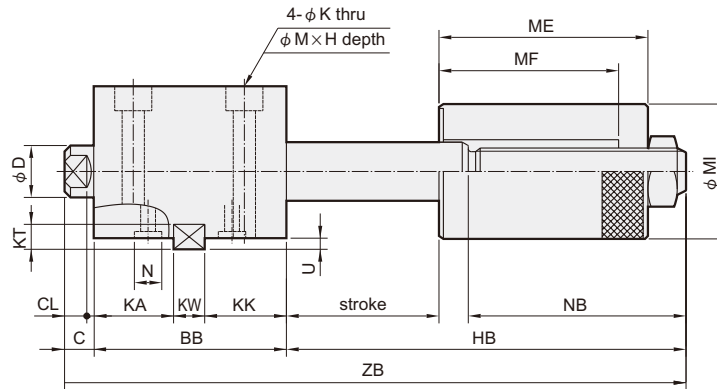
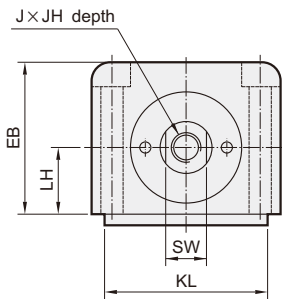
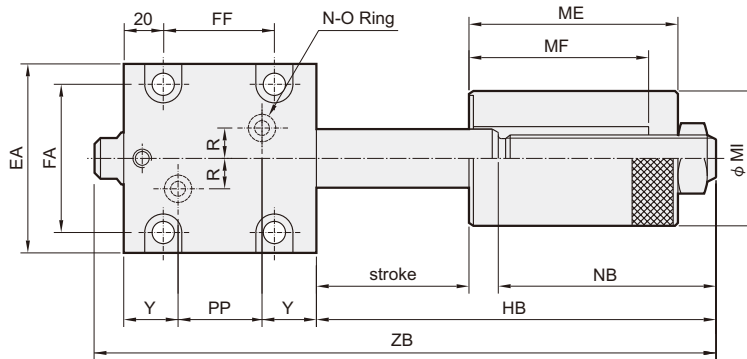


Tube I.D. (mm)	Type	MHCBS-A / MHCBS-Z-A									
		5	10	15	20	25	30	35	40	45	50
$\phi 32$	ZA	153	158	173	178	193	198	213	218	233	238
	BB	79	79	89	89	99	99	109	109	119	119
	FF	42	42	52	52	62	62	72	72	82	82
	KK	—	—	39	39	49	49	59	59	69	69
	PP	23	23	33	33	43	43	53	53	63	63
	HA	64	69	74	79	84	89	94	99	104	109
$\phi 40$	ZA	163	168	183	188	203	208	223	228	243	248
	BB	80	80	90	90	100	100	110	110	120	120
	FF	42	42	52	52	62	62	72	72	82	82
	KK	—	—	40	40	50	50	60	60	70	70
	PP	24	24	34	34	44	44	54	54	64	64
	HA	73	78	83	88	93	98	103	108	113	118
$\phi 50$	ZA	171	176	191	196	211	216	231	236	251	256
	BB	85	85	95	95	105	105	115	115	125	125
	FF	45	45	55	55	65	65	75	75	85	85
	KK	—	—	41	41	51	51	61	61	71	71
	PP	26	26	36	36	46	46	56	56	66	66
	HA	75	80	85	90	95	100	105	110	115	120
$\phi 63$	ZA	188	193	208	213	228	233	248	253	268	273
	BB	92	92	102	102	112	112	122	122	132	132
	FF	52	52	62	62	72	72	82	82	92	92
	KK	—	—	44	44	54	54	64	64	74	74
	PP	30	30	40	40	50	50	60	60	70	70
	HA	83	88	93	98	103	108	113	118	123	128

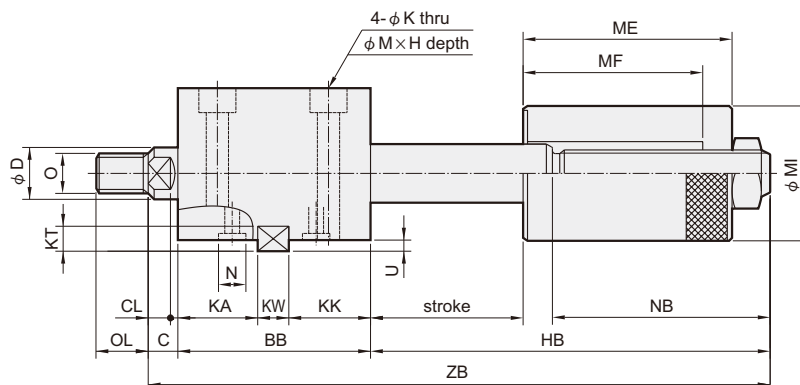
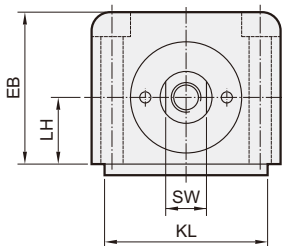
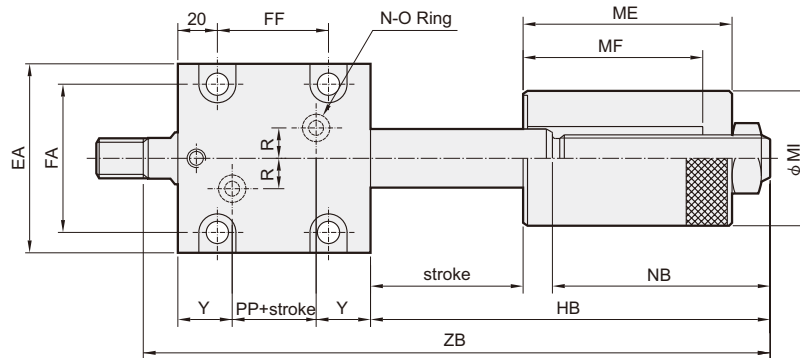
Code Tube I.D.	C	CL	D	EA	EB	FA	H	J	JH	K	KA	KL	KT	KW	LH
$\phi 32$	10	7	20	70	56	56	9	M12×1.75	15	9	38	63	8	12	25
$\phi 40$	10	7	25	80	64	62	11	M16×2.0	20	11	38	70	8	12	29
$\phi 50$	11	8	30	94	74	74	13	M20×2.5	25	13	40	80	9	14	34
$\phi 63$	13	10	35	114	89	90	15	M27×3.0	35	15	42	100	10	16	42

Code Tube I.D.	M	MI	MA	MB	N	NA	O	OL	R	SW	U	Y
$\phi 32$	14	45	46	36	P9	49	M16×1.5	25	10	17	4.5	28
$\phi 40$	18	55	54	36	P9	58	M22×1.5	30	10	22	4.5	28
$\phi 50$	20	60	53	37	P11	59	M26×1.5	35	10	27	5	29.5
$\phi 63$	22	75	63	39	P11	65	M30×1.5	40	10	32	5.5	31

MHCBS-B
Adjustable stroke 50mm



MHCBS-Z-B
Adjustable stroke 50mm



Tube I.D. (mm)	Type	MHCBS-B / MHCBS-Z-B									
		5	10	15	20	25	30	35	40	45	50
$\phi 32$	ZB	178	183	198	203	218	223	238	243	258	263
	BB	79	79	89	89	99	99	109	109	119	119
	FF	42	42	52	52	62	62	72	72	82	82
	KK	—	—	39	39	49	49	59	59	69	69
	PP	23	23	33	33	43	43	53	53	63	63
	HB	89	94	99	104	109	114	119	124	129	134
$\phi 40$	ZB	188	193	208	213	228	233	248	253	268	273
	BB	80	80	90	90	100	100	110	110	120	120
	FF	42	42	52	52	62	62	72	72	82	82
	KK	—	—	40	40	50	50	60	60	70	70
	PP	24	24	34	34	44	44	54	54	64	64
	HB	98	103	108	113	118	123	128	133	138	143
$\phi 50$	ZB	196	201	216	221	236	241	256	261	276	281
	BB	85	85	95	95	105	105	115	115	125	125
	FF	45	45	55	55	65	65	75	75	85	85
	KK	—	—	41	41	51	51	61	61	71	71
	PP	26	26	36	36	46	46	56	56	66	66
	HB	100	105	110	115	120	125	130	135	140	145
$\phi 63$	ZB	213	218	233	238	253	258	273	278	293	298
	BB	92	92	102	102	112	112	122	122	132	132
	FF	52	52	62	62	72	72	82	82	92	92
	KK	—	—	44	44	54	54	64	64	74	74
	PP	30	30	40	40	50	50	60	60	70	70
	HB	108	113	118	123	128	133	138	143	148	153

Code Tube I.D.	C	CL	D	EA	EB	FA	H	J	JH	K	KA	KL	KT	KW	LH
$\phi 32$	10	7	20	70	56	56	9	M12×1.75	15	9	38	63	8	12	25
$\phi 40$	10	7	25	80	64	62	11	M16×2.0	20	11	38	70	8	12	29
$\phi 50$	11	8	30	94	74	74	13	M20×2.5	25	13	40	80	9	14	34
$\phi 63$	13	10	35	114	89	90	15	M27×3.0	35	15	42	100	10	16	42

Code Tube I.D.	M	MI	ME	MF	N	NB	O	OL	R	SW	U	Y
$\phi 32$	14	45	71	61	P9	74	M16×1.5	25	10	17	4.5	28
$\phi 40$	18	55	79	61	P9	83	M22×1.5	30	10	22	4.5	28
$\phi 50$	20	60	78	62	P11	84	M26×1.5	35	10	27	5	29.5
$\phi 63$	22	75	88	64	P11	90	M30×1.5	40	10	32	5.5	31