



Load per roller

N/1pcs

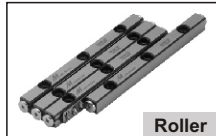
Roller dia.	Basic dynamic load rating (C)	Basic static load rating(Co)	Allowable load (Fu)
00	62	72	24
01	125	144	48
02	293	292	97
03	638	761	254
04	1230	1170	390
06	2570	2632	877
09	7190	7274	2425
12	14700	13187	4396

Order example

MGRV — **01** — **40** — **S** — **P**

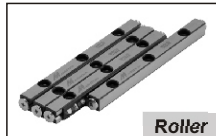
Model

MGRV : SUS304 Retainer



Roller

MGRVP : POM Retainer



Roller

MGRVG :

Rail anti-Creep design



Roller

Diameter

MGRV (mm)

00	φ 1.0
01	φ 1.5
02	φ 2.0
03	φ 3.0
04	φ 4.0
06	φ 6.0
09	φ 9.0
12	φ 12.0

MGRVP

01	φ 1.5
02	φ 2.0
03	φ 3.0
04	φ 4.0
06	φ 6.0

MGRVG

02	φ 2.0
03	φ 3.0
04	φ 4.0
06	φ 6.0

Rail length

20~1200 mm
(next table)

Antirust

—	Standard
S	Antirust (※)

Precision level

H	High grade
P	Precision grade

※ Rail material :SUS440C+Ni

※ Antirust of MGRV-00~06 or MGRVG-02~06.

Rail length

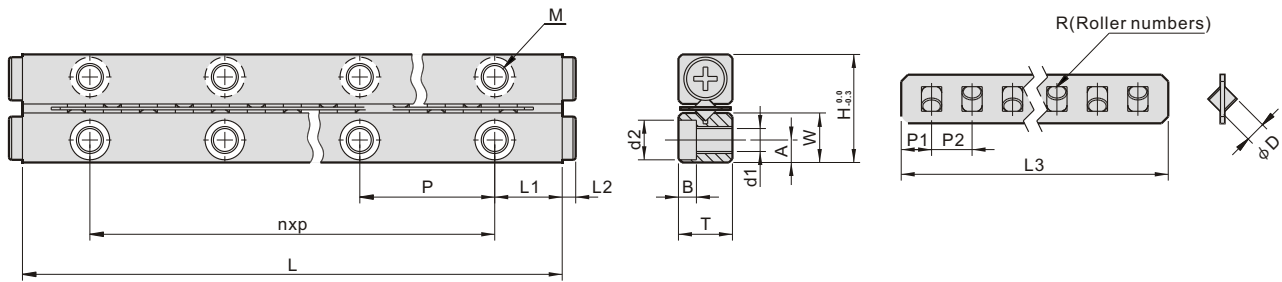
Roller dia.	Rail length (mm)
01	20, 30, 40, 50, 60, 70, 80
02	30, 45, 60, 75, 90, 105, 120, 135, 150, 165, 180
03	50, 75, 100, 125, 150, 175, 200, 225, 250, 275, 300
04	80, 120, 160, 200, 240, 280, 320, 360, 400, 440, 480
06	100, 150, 200, 250, 300, 350, 400, 450, 500, 550, 600
09	200, 300, 400, 500, 600, 700, 800, 900, 1000, 1100, 1200
12	200, 300, 400, 500, 600, 700, 800, 900, 1000, 1100, 1200

Material

Indicate Model	Rail	Roller	Retainer	Gear	Gear housing
MGRV	SUJ2	SUS304	SUS304	—	—
MGRV-S	SUS440C+Ni	SUS440C	SUS304	—	—
MGRVP	SUJ2	POM	—	—	—
MGRVG	SUJ2	Brass	—	—	SUS304
MGRVG-S	SUS440C+Ni	SUS440C	Brass +Ni	—	SUS304

■ MGRV-S or MGRVG-S no finished to V-groove surface of the rail.

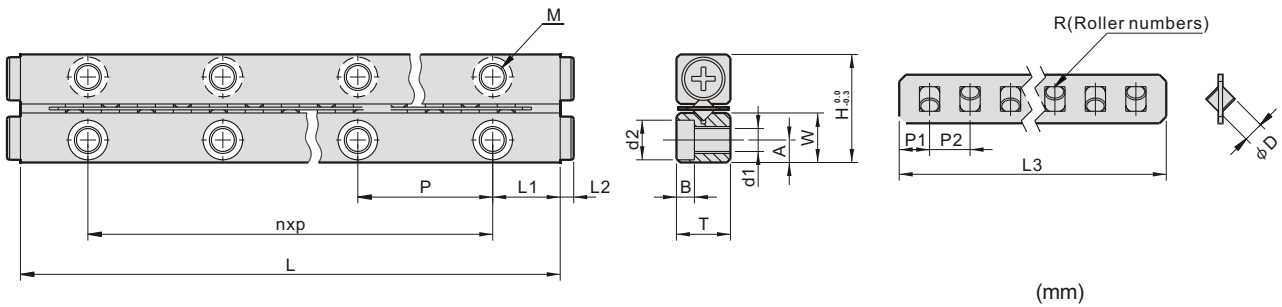
CROSSED ROLLER SLIDE RAIL SET



(mm)

Model	Max. stroke	Main dimensions					Retainer dimensions					Mounting dimensions					Weight (g) / 2 pieces		
		H	T	W	n × p	L1	L2	ϕD	L3	R	P1	P2	A	M	d1	d2	B	Standard	Antirust
00-20	17	6.2	3	2.9	1 × 10	5	0.7	$\phi 1$	12.4	6	1.2	2	1.2	M1.4	1.1	2.1	4	2.4	2.6
00-30	21				2 × 10				13.4	8								3.5	3.8
00-40	25				3 × 10				20.4	10								4.6	5
00-50	29				4 × 10				24.4	12								5.7	6.2
00-60	33				5 × 10				28.4	14								6.8	7.4
00-70	37				6 × 10				32.4	16								7.9	8.6
00-80	41				7 × 10				36.4	18								9	9.8
01-20	13	8.5	4	3.9	1 × 10	5	1.3	$\phi 1.5$	15.8	5	1.9	3	1.8	M2	1.65	3	1.4	4	4
01-30	21				2 × 10				21.8	7								6	7
01-40	29				3 × 10				27.8	9								8	9
01-50	37				4 × 10				33.8	11								10	11
01-60	45				5 × 10				39.8	13								12	13
01-70	53				6 × 10				45.8	15								14	16
01-80	61				7 × 10				51.8	17								16	17
02-30	24	12	6	5.5	1 × 15	7.5	1.5	$\phi 2$	21.6	5	2.8	4	2.5	M3	2.55	4.4	2	13	14
02-45	30				2 × 15				33.6	8								20	21
02-60	44				3 × 15				41.6	10								26	28
02-75	58				4 × 15				49.6	12								32	35
02-90	72				5 × 15				57.6	14								39	42
02-105	86				6 × 15				65.6	16								45	48
02-120	100				7 × 15				73.6	18								51	55
02-135	106				8 × 15				85.6	21								58	62
02-150	120				9 × 15				93.6	23								64	69
02-165	134				10 × 15				101.6	25								70	76
02-180	148				11 × 15				109.6	27								77	82
03-50	34	18	8	8.3	1 × 25	12.5	2	$\phi 3$	36.4	7	3.2	5	3.5	M4	3.3	6	3.1	46	49
03-75	54				2 × 25				51.4	10								68	73
03-100	74				3 × 25				66.4	13								90	97
03-125	104				4 × 25				76.4	15								112	120
03-150	124				5 × 25				91.4	18								134	144
03-175	144				6 × 25				106.4	21								157	168
03-200	164				7 × 25				121.4	24								179	191
03-225	184				8 × 25				136.4	27								201	215
03-250	204				9 × 25				151.4	30								223	239
03-275	224				10 × 25				166.4	33								245	262
03-300	244				11 × 25				181.4	36								267	286

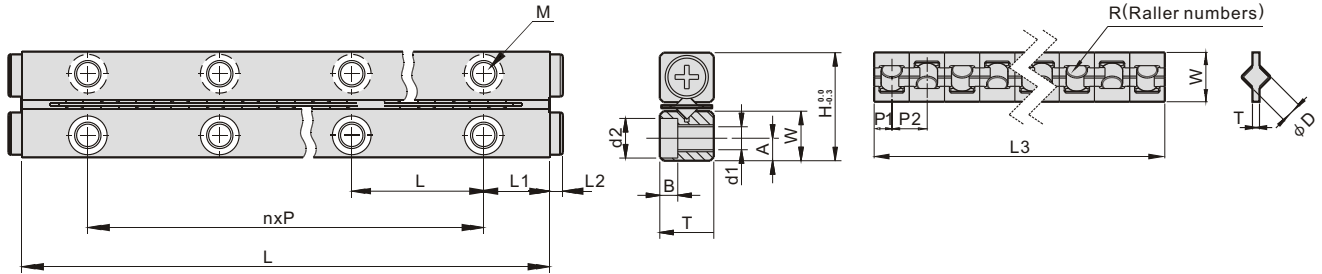
CROSSED ROLLER SLIDE RAIL SET



(mm)

Model	Max. stroke	Main dimensions					Retainer dimensions					Mounting dimensions					Weight (g) / 2 pieces		
		H	T	W	n x p	L1	L2	ϕD	L3	R	P1	P2	A	M	d1	d2	B	Standard	Antirust
04-80	54	22	11	10	1 x 40	20	2	$\phi 4$	57.6	8	4.3	7	4.5	M5	4.3	7.5	4.1	122	130
04-120	92				2 x 40				78.6	11								180	193
04-160	130				3 x 40				99.6	14								238	254
04-200	154				4 x 40				127.6	18								296	317
04-240	192				5 x 40				148.6	21								355	380
04-280	230				6 x 40				169.6	24								413	442
04-320	254				7 x 40				197.6	28								472	505
04-360	292				1 x 40				218.6	31								530	568
04-400	330				2 x 40				239.6	34								589	631
04-440	354				3 x 40				267.6	38								647	694
04-480	392				4 x 40				288.6	41								706	756
06-100	80				31				15	14								1 x 50	25
06-150	108	2 x 50	100.8	11		435	466												
06-200	154	3 x 50	127.8	14		577	618												
06-250	200	4 x 50	154.8	17		721	773												
06-300	246	5 x 50	181.8	20		864	925												
06-350	274	6 x 50	217.8	24		1006	1078												
06-400	320	7 x 50	244.8	27		1150	1232												
06-450	366	8 x 50	271.8	30		1292	1385												
06-500	412	9 x 50	298.8	33		1436	1539												
06-550	458	10 x 50	325.8	36		1579	1691												
06-600	486	11 x 50	361.8	40		1723	1846												
09-200	158	44	22	20.2		1 x 100	50	3.5			$\phi 9$	130.0	9	9	14	9	M8	6.8	
09-300	246				2 x 100	186.0			13	1891		—							
09-400	306				3 x 100	256.0			18	2509		—							
09-500	394				4 x 100	312.0			22	3133		—							
09-600	482				5 x 100	368.0			26	3756		—							
09-700	570				6 x 100	424.0			30	4328.1		—							
09-800	658				7 x 100	480.0			34	4915.2		—							
09-900	746				8 x 100	536.0			38	5525.3		—							
09-1000	806				9 x 100	606.0			43	6140.9		—							
09-1100	894				10 x 100	662.0			47	6751.1		—							
09-1200	982				11 x 100	718.0			51	7361.2		—							
12-200	160				58	28			26.9	1 x 100		50	3.5						$\phi 12$
12-300	216	2 x 100	202.0	11			3161	—											
12-400	308	3 x 100	256.0	14			4195	—											
12-500	400	4 x 100	310.0	17			5242	—											
12-600	492	5 x 100	364.0	20			6276	—											
12-700	548	6 x 100	436.0	24			7734.8	—											
12-800	640	7 x 100	490.0	27			8829.2	—											
12-900	732	8 x 100	544.0	30			9261.2	—											
12-1000	824	9 x 100	598.0	33			10281.7	—											
12-1100	916	10 x 100	652.0	36			11302.3	—											
12-1200	972	11 x 100	724.0	40			12336.4	—											

CROSSED ROLLER SLIDE RAIL SET

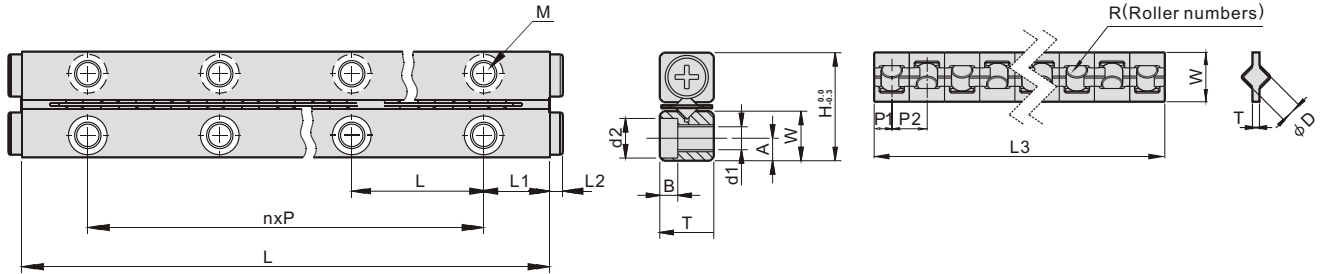


(mm)

Model	Max. stroke	Main dimensions					Retainer dimensions					Mounting dimensions					Weight(g) / 2 pieces	
		H	T	W	n x p	L1	L2	ϕD	L3	R	P1	P2	A	M	d1	d2		B
01-20	13	8.5	4	3.9	1 x 10	5	1.3	$\phi 1.5$	15.8	5	1.9	3	1.8	M2	1.65	3	1.4	4
01-30	21				2 x 10				21.8	7								6
01-40	29				3 x 10				27.8	9								8
01-50	37				4 x 10				33.8	11								10
01-60	45				5 x 10				39.8	13								12
01-70	53				6 x 10				45.8	15								14
01-80	61				7 x 10				51.8	17								16
02-30	24	12	6	5.5	1 x 15	7.5	1.5	$\phi 2$	19.5	5	2.8	4	2.5	M3	2.55	4.4	2	13
02-45	30				2 x 15				30.5	8								20
02-60	44				3 x 15				38.5	10								26
02-75	58				4 x 15				46.0	12								32
02-90	72				5 x 15				54.0	14								39
02-105	86				6 x 15				61.5	16								45
02-120	100				7 x 15				68.7	18								51
02-135	106				8 x 15				80.5	21								58
02-150	120				9 x 15				83.0	23								64
02-165	134				10 x 15				95.5	25								70
02-180	148				11 x 15				103.0	27								77
03-50	34	18	8	8.3	1 x 25	12.5	2	$\phi 3$	36.4	7	3.2	5	3.5	M4	3.3	6	3.1	46
03-75	54				2 x 25				51.4	10								68
03-100	74				3 x 25				66.4	13								90
03-125	104				4 x 25				76.4	15								112
03-150	124				5 x 25				91.4	18								134
03-175	144				6 x 25				106.4	21								157
03-200	164				7 x 25				121.4	24								179
03-225	184				8 x 25				136.4	27								201
03-250	204				9 x 25				151.4	30								223
03-275	224				10 x 25				166.4	33								245
03-300	244				11 x 25				181.4	36								267

CROSSED ROLLER SLIDE RAIL SET

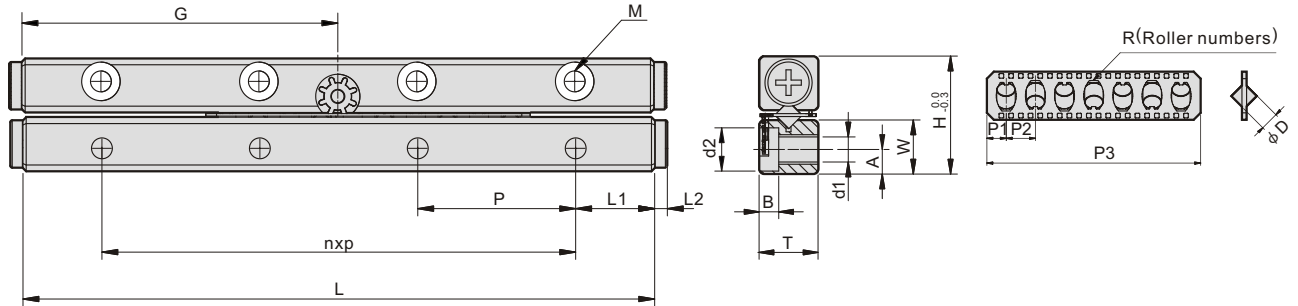
Mindman



(mm)

Model	Max. stroke	Main dimensions					Retainer dimensions					Mounting dimensions					Weight (g) / 2 pieces	
		H	T	W	n x p	L1	L2	ϕD	L3	R	P1	P2	A	M	d1	d2		B
04-80	54	21	11	10	1 x 40	20	2	$\phi 4$	57.6	8	4.3	7	4.5	M5	4.3	7.5	4.1	122
04-120	92				2 x 40				78.6	11								180
04-160	130				3 x 40				99.6	14								238
04-200	154				4 x 40				127.6	18								296
04-240	192				5 x 40				148.6	21								355
04-280	230				6 x 40				169.6	24								413
04-320	254				7 x 40				197.6	28								472
04-360	292				8 x 40				218.6	31								530
04-400	330				9 x 40				239.6	34								589
04-440	354				10 x 40				267.6	38								647
04-480	392				11 x 40				288.6	41								706
06-100	80	31	15	14	1 x 50	25	2	$\phi 6$	64.8	7	5.4	9	6	M6	5.3	9.5	5.2	287
06-150	108				2 x 50				100.8	11								435
06-200	154				3 x 50				127.8	14								577
06-250	200				4 x 50				154.8	17								721
06-300	246				5 x 50				181.8	20								864
06-350	274				6 x 50				217.8	24								1006
06-400	320				7 x 50				244.8	27								1150
06-450	366				8 x 50				372.5	30								1292
06-500	412				9 x 50				300.0	33								1436
06-550	458				10 x 50				326.5	36								1579
06-600	486				11 x 50				364.0	40								1273

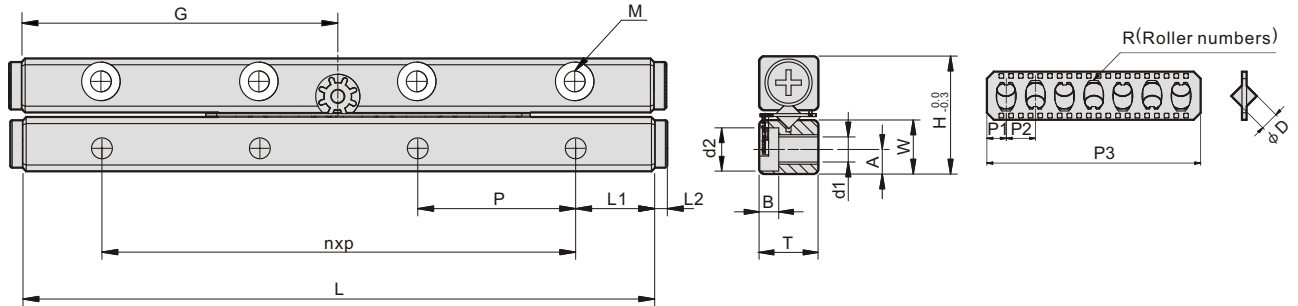
CROSSED ROLLER SLIDE RAIL SET



(mm)

Model	Max. stroke	Main dimensions					Retainer dimensions					Mounting dimensions					Weight (g) / 2 pieces			
		G	H	T	W	n × p	L1	L2	ϕD	L3	R	P1	P2	A	M	d1	d2	B	Standard	Antirust
02-30	22	15	12	6	5.5	7.5	1.5	$\phi 2$	21	5	2.5	4.2	2.5	M3	2.6	4.4	2	13	14	
02-45	18	15							2 × 15	38								9	20	21
02-60	40	30							3 × 15	42								10	26	28
02-75	52	30							4 × 15	51								12	32	35
02-90	74	45							5 × 15	55								13	39	42
02-105	78	45							6 × 15	67.5								16	45	48
02-120	100	60							7 × 15	72								17	51	55
02-135	106	60							8 × 15	84.5								20	58	62
02-150	127	75							9 × 15	88.5								21	64	69
02-165	140	75							10 × 15	97								23	70	76
02-180	144	90							11 × 15	109.5								26	77	82
03-50	34	25	18	8	8.3	12.5	2	$\phi 3$	34	8	2.45	4.2	3.5	M4	3.3	6	3.1	46	49	
03-75	50	30							2 × 25	51								12	68	73
03-100	76	50							3 × 25	63.5								15	90	97
03-125	100	55							4 × 25	76								18	112	120
03-150	125	75							5 × 25	88.5								21	134	144
03-175	150	80							6 × 25	101								24	157	168
03-200	166	100							7 × 25	118								28	179	191
03-225	182	105							8 × 25	135								32	201	215
03-250	208	125							9 × 25	147.5								35	223	239
03-275	216	130							10 × 25	168.5								40	245	262
03-300	248	150							11 × 25	178								42	267	286

CROSSED ROLLER SLIDE RAIL SET



(mm)

Model	Max. stroke	Main dimensions					Retainer dimensions					Mounting dimensions					Weight (g) / 2 pieces		
		G	H	T	W	n × p	L1	L2	ϕD	L3	R	P1	P2	A	M	d1	d2	B	Standard
04-80	62	40	22	11	10	20	2	$\phi 4$	52	8	3.97	6.3	4.5	M5	4.3	7.5	4.1	122	130
04-120	92	50							77	12								180	193
04-160	134	80							96	15								238	254
04-200	164	90							121	19								296	317
04-240	194	120							146	23								355	380
04-280	236	130							165	26								413	442
04-320	252	160							196	31								472	505
04-360	308	170							209	33								530	568
04-400	338	200							234	37								589	631
04-440	355	210							266	42								647	694
04-480	396	240							285	45								706	756
06-100	86	50	31	15	14	25	2	$\phi 6$	64.8	7	5.3	8.9	6	M6	5.3	9.5	5.2	287	311
06-150	118	65							100.8	11								435	466
06-200	168	80							127.8	14								577	618
06-250	212	115							154.8	17								721	773
06-300	260	120							181.8	20								864	925
06-350	292	165							217.8	24								1006	1078
06-400	340	160							244.8	27								1150	1232
06-450	388	215							271.8	30								1292	1385
06-500	436	200							298.8	33								1436	1539
06-550	484	265							325.8	36								1579	1691
06-600	516	300							361.8	40								1723	1846