



Specification

| Model | METSC-6 | |
|------------------------------------|-------------------|------|
| Repeatability (mm) | ±0.01 | |
| Ball screw lead (mm) | 5 | 10 |
| Maximum speed (mm/s) ^{※1} | ≤250 | ≤500 |
| Maximum payload | Horizontal(kg) | ≤30 |
| | Vertical (kg) | ≤15 |
| Rated thrust (N) | 565 | 283 |
| Stroke / pitch (mm) ^{※2} | 50~800 / 50 Pitch | |
| Motor dimension (mm) | □42 | |
| Ball screw spec (mm) | C7 φ 12 | |

※1. The maximum speed shown here is when software speed setting is 100%. When the stroke is over 600mm, the run-out of the ball screw will occur.

※2. We recommend to low down the working speed under this circumstances.

Order example of cylinder

METSC-6 — L05 — 100 — M — TC100 — 03 — M5 — A0001

| | | | |
|-------------------------|-----------------------------------|---|--|
| Model | Spec. | Stroke | Special order no. |
| L | 05 | 50~800 mm 50 mm pitch | A0001 |
| Ball screw brand | Ball screw lead | Motor position | Corresponding controller |
| L T-Standard MIT | 05 5 mm 10 10 mm | M Built-in BM On lower side BR On right side BL On left side | TC100 ※ Please refer to 4-126. |
| | | | Cable length |
| | | | 01 1m 03 3m 05 5m 10 10m ※ Standard: 3m |
| | | | Installation hole |
| | | | — Upwards lock type M5 Down lock type ※ If the stroke is less than 100mm, it is restricted to select M5 down lock type only. |

Order example of controller

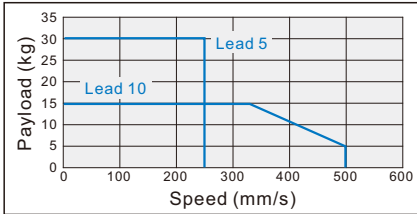
TC100 — 03

| | |
|-------------------|---------------------|
| Controller | Cable length |
| TC100 | Blank No cable |
| | 01 1m |
| | 03 3m |
| | 05 5m |
| | 10 10m |

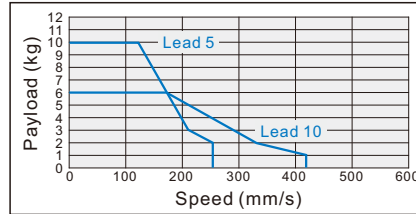
※ Standard: 3m

Speed-payload curve diagram

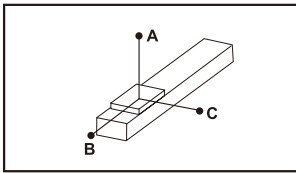
Horizontal



Vertical

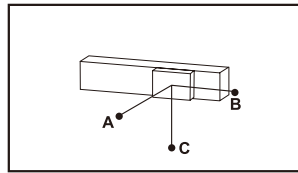


Allowable overhang N.m



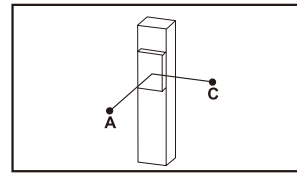
Unit: mm

| Horizontal installation | | A | B | C |
|-------------------------|------|-----|----|-----|
| Lead 5 | 10kg | 650 | 30 | 80 |
| | 20kg | 390 | 15 | 40 |
| | 30kg | 250 | 10 | 25 |
| Lead 10 | 5kg | 460 | 60 | 145 |
| | 10kg | 400 | 35 | 85 |
| | 15kg | 250 | 20 | 50 |



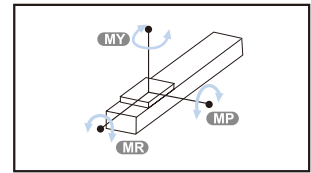
Unit: mm

| Wall installation | | A | B | C |
|-------------------|------|-----|----|-----|
| Lead 5 | 10kg | 75 | 30 | 650 |
| | 20kg | 45 | 17 | 450 |
| | 30kg | 25 | 10 | 250 |
| Lead 10 | 5kg | 150 | 60 | 650 |
| | 10kg | 90 | 35 | 420 |
| | 15kg | 95 | 22 | 270 |



Unit: mm

| Vertical installation | | A | C |
|-----------------------|------|-----|-----|
| Lead 5 | 5kg | 90 | 90 |
| | 8kg | 60 | 60 |
| | 10kg | 50 | 50 |
| Lead 10 | 2kg | 150 | 150 |
| | 4kg | 100 | 100 |
| | 6kg | 75 | 75 |



Unit: N.m

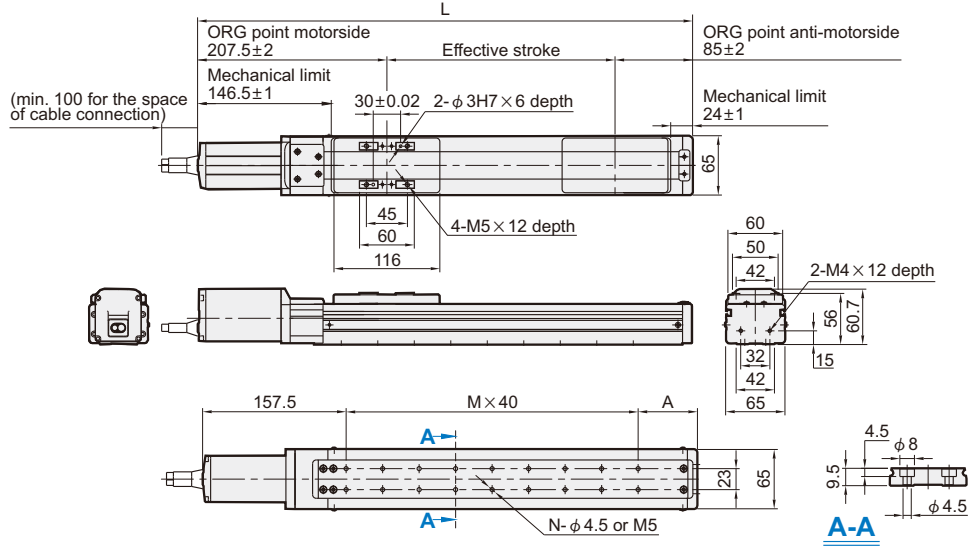
| Static loading moment | |
|-----------------------|----|
| MY | 70 |
| MP | 80 |
| MR | 75 |

METSC-6 Dimensions

SLIDER ELECTRIC CYLINDER - BALL SCREW DRIVE (WITH MOTOR)



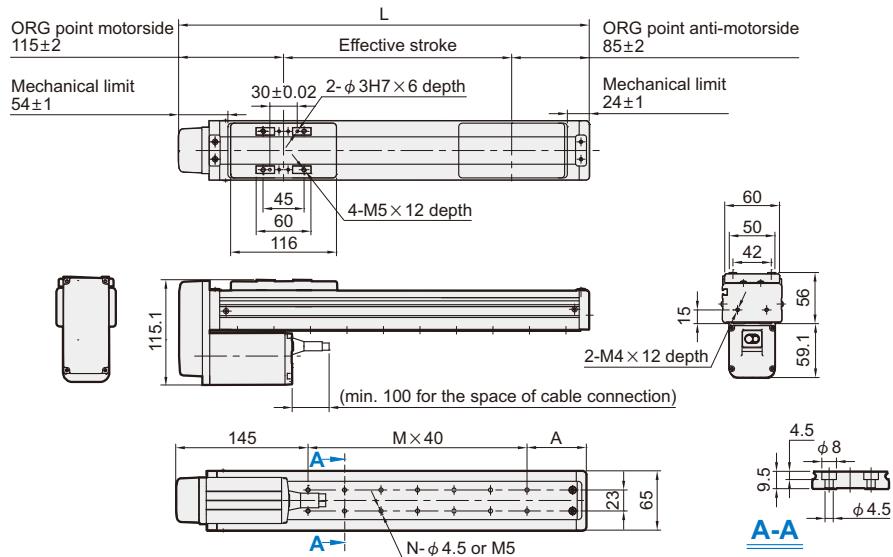
M Motor built-in



Unit: mm

| Stroke | 50 | 100 | 150 | 200 | 250 | 300 | 350 | 400 | 450 | 500 | 550 | 600 | 650 | 700 | 750 | 800 |
|-----------|-------|-------|-------|-------|-------|-------|-------|-------|-------|-------|-------|-------|-------|-------|--------|--------|
| L | 342.5 | 392.5 | 442.5 | 492.5 | 542.5 | 592.5 | 642.5 | 692.5 | 742.5 | 792.5 | 842.5 | 892.5 | 942.5 | 992.5 | 1042.5 | 1092.5 |
| A | 65 | 35 | 45 | 55 | 65 | 35 | 45 | 55 | 65 | 35 | 45 | 55 | 65 | 35 | 45 | 55 |
| M | 3 | 5 | 6 | 7 | 8 | 10 | 11 | 12 | 13 | 15 | 16 | 17 | 18 | 20 | 21 | 22 |
| N | 8 | 12 | 14 | 16 | 18 | 22 | 24 | 26 | 28 | 32 | 34 | 36 | 38 | 42 | 44 | 46 |
| KG | 3.09 | 3.32 | 3.55 | 3.77 | 4 | 4.22 | 4.44 | 4.67 | 4.89 | 5.12 | 5.34 | 5.56 | 5.79 | 6.01 | 6.24 | 6.44 |

BM Motor on lower side



Unit: mm

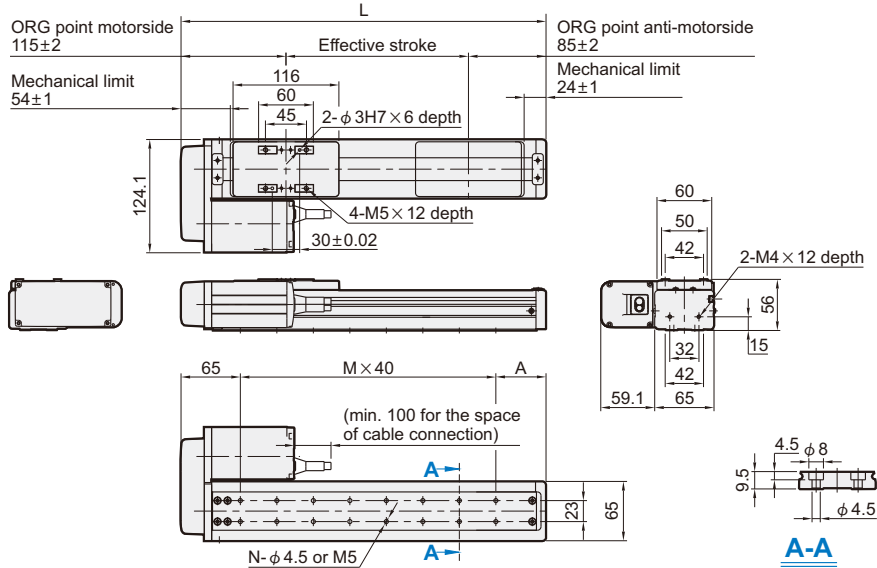
| Stroke | 50 | 100 | 150 | 200 | 250 | 300 | 350 | 400 | 450 | 500 | 550 | 600 | 650 | 700 | 750 | 800 |
|-----------|------|------|------|------|------|------|------|------|------|------|-----|------|------|------|-----|------|
| L | 250 | 300 | 350 | 400 | 450 | 500 | 550 | 600 | 650 | 700 | 750 | 800 | 850 | 900 | 950 | 1000 |
| A | 65 | 35 | 45 | 55 | 65 | 35 | 45 | 55 | 65 | 35 | 45 | 55 | 65 | 35 | 45 | 55 |
| M | 1 | 3 | 4 | 5 | 6 | 8 | 9 | 10 | 11 | 13 | 14 | 15 | 16 | 18 | 19 | 20 |
| N | 4 | 8 | 10 | 12 | 14 | 18 | 20 | 22 | 24 | 28 | 30 | 32 | 34 | 38 | 40 | 42 |
| KG | 3.13 | 3.36 | 3.59 | 3.81 | 4.04 | 4.27 | 4.49 | 4.72 | 4.94 | 5.17 | 5.4 | 5.62 | 5.85 | 6.07 | 6.3 | 6.49 |

METSC-6 Dimensions

SLIDER ELECTRIC CYLINDER - BALL SCREW DRIVE (WITH MOTOR)



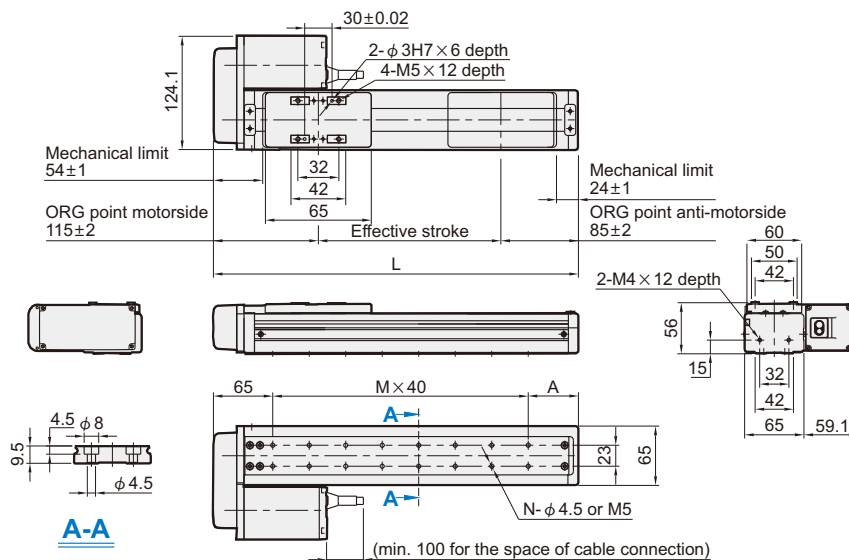
BL
Motor on left side



Unit: mm

| Stroke | 50 | 100 | 150 | 200 | 250 | 300 | 350 | 400 | 450 | 500 | 550 | 600 | 650 | 700 | 750 | 800 |
|-----------|------|------|------|------|------|------|------|------|------|------|-----|------|------|------|-----|------|
| L | 250 | 300 | 350 | 400 | 450 | 500 | 550 | 600 | 650 | 700 | 750 | 800 | 850 | 900 | 950 | 1000 |
| A | 65 | 35 | 45 | 55 | 65 | 35 | 45 | 55 | 65 | 35 | 45 | 55 | 65 | 35 | 45 | 55 |
| M | 3 | 5 | 6 | 7 | 8 | 10 | 11 | 12 | 13 | 15 | 16 | 17 | 18 | 20 | 21 | 22 |
| N | 8 | 12 | 14 | 16 | 18 | 22 | 24 | 26 | 28 | 32 | 34 | 36 | 38 | 42 | 44 | 46 |
| KG | 3.13 | 3.36 | 3.59 | 3.81 | 4.04 | 4.27 | 4.49 | 4.72 | 4.94 | 5.17 | 5.4 | 5.62 | 5.85 | 6.07 | 6.3 | 6.49 |

BR
Motor on right side



Unit: mm

| Stroke | 50 | 100 | 150 | 200 | 250 | 300 | 350 | 400 | 450 | 500 | 550 | 600 | 650 | 700 | 750 | 800 |
|-----------|------|------|------|------|------|------|------|------|------|------|-----|------|------|------|-----|------|
| L | 250 | 300 | 350 | 400 | 450 | 500 | 550 | 600 | 650 | 700 | 750 | 800 | 850 | 900 | 950 | 1000 |
| A | 65 | 35 | 45 | 55 | 65 | 35 | 45 | 55 | 65 | 35 | 45 | 55 | 65 | 35 | 45 | 55 |
| M | 3 | 5 | 6 | 7 | 8 | 10 | 11 | 12 | 13 | 15 | 16 | 17 | 18 | 20 | 21 | 22 |
| N | 8 | 12 | 14 | 16 | 18 | 22 | 24 | 26 | 28 | 32 | 34 | 36 | 38 | 42 | 44 | 46 |
| KG | 3.13 | 3.36 | 3.59 | 3.81 | 4.04 | 4.27 | 4.49 | 4.72 | 4.94 | 5.17 | 5.4 | 5.62 | 5.85 | 6.07 | 6.3 | 6.49 |