

### Specification

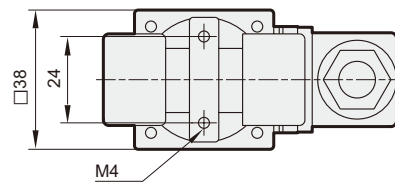
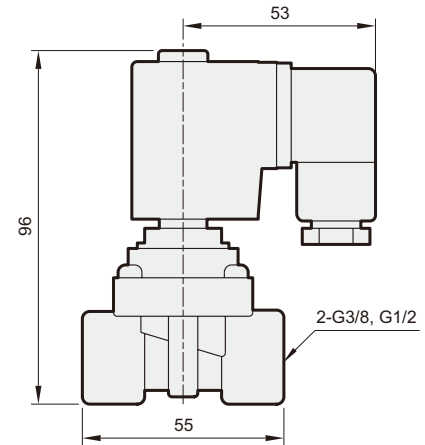
- IP65 100% ED coil

### Power consumption

Coil power	4	5
AC(VA)	17.6/15.4	33/23
DC(W)	15.0	18.5

Model	MEP	
Code Dimension (mm)	10	15
N.W.(Kg)	0.45	

### Dimensions



### Order example

**MEP - 10 - N - 4 - □ - AC110**

MODEL

CODE  
10: 3/8  
15: 1/2

COIL  
4: #4  
5: Bigger

PLUG  
□: DIN  
D: LED  
G: 1/2" NPT

SEAL MAT'L  
N: NBR

VOLTAGE

AC220V(50/60)Hz  
AC110V(50/60)Hz  
DC24V

### Specification

Model **MEP**: Forged brass body, pressure forming S.S. plate, for water, air

PIPE G	Code no.	Seal mat'l	Coil	Orifice mm	Temp. °C		Working press. (0~ bar)								CV
					Coil 4	Coil 5	Coil 4				Coil 5				
							AC		DC		AC		DC		
							air	water	air	water	air	water	air	water	
3/8	10	N	4	15	-5~80	-5~120	1	0.5	0.5	-	1.5	1.0	1.0	0.5	1.8
1/2	15		5				1	0.5	0.5	-	1.5	1.0	1.0	0.5	2.2