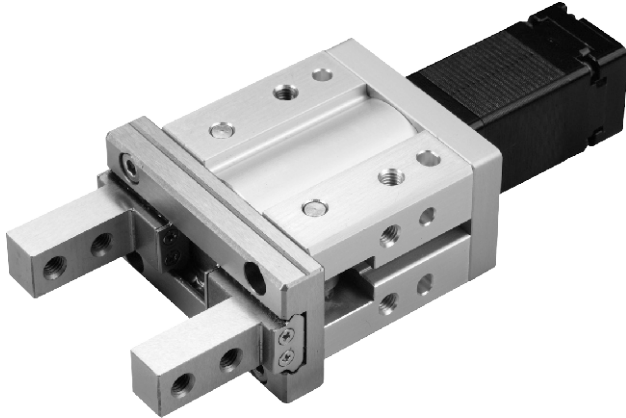


# MEHC-25 series

**ELECTRIC GRIPPER (WITH MOTOR)**



Mindman



## Specification

Model	MEHC-25
Gripper force (N)	22~98
Open and close stroke (mm) ※1	14
Open and close speed (mm/s)	5~50
Position repeatability (mm)	±0.02
Guide structure	Linear guide
Operating temperature range (°C)	0~+40
Operating humidity range (%)	Below RH90
Motor dimension (mm)	□ 25
Weight (g) ※2	552

※1.Total stroke of both sides.

※2.Weight of model with motor.

## Order example of cylinder

**MEHC-25** — **S14** — **TC100** — **03** — **A0001**

Model    Spec.    ACME lead screw    Corresponding controller    Cable length    Special order no.

ACME lead screw	Corresponding controller	Cable length
<b>S14</b> Standard type	<b>TC100</b>	<b>01</b> 1m
<b>N14</b> Narrow type	※ Please refer to 4-126.	<b>03</b> 3m
		<b>05</b> 5m
		<b>10</b> 10m

※ Standard: 3m

## Order example of controller

**TC100** — **03**

Controller    Cable length

Controller	Cable length
<b>TC100</b>	Blank    No cable
	<b>01</b> 1m
	<b>03</b> 3m
	<b>05</b> 5m
	<b>10</b> 10m

※ Standard: 3m

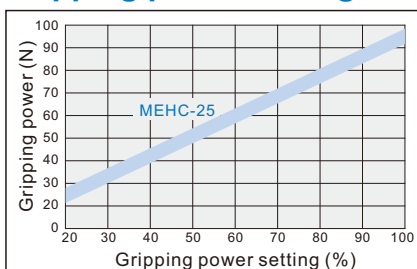
## Allowable moment and force (N.m / N)

Maximum moment	
MY	1.94 (N.m)
MP	1.94 (N.m)
MR	3.88 (N.m)
Maximum force	
FV	255 (N)

※MY: Allowable yawing moment  
 ※MP: Allowable pitching moment  
 ※MR: Allowable rolling moment  
 ※FV: Vertical maximum force

※L: Distance to the loading location (mm).

## Gripping power VS. Gripping power setting

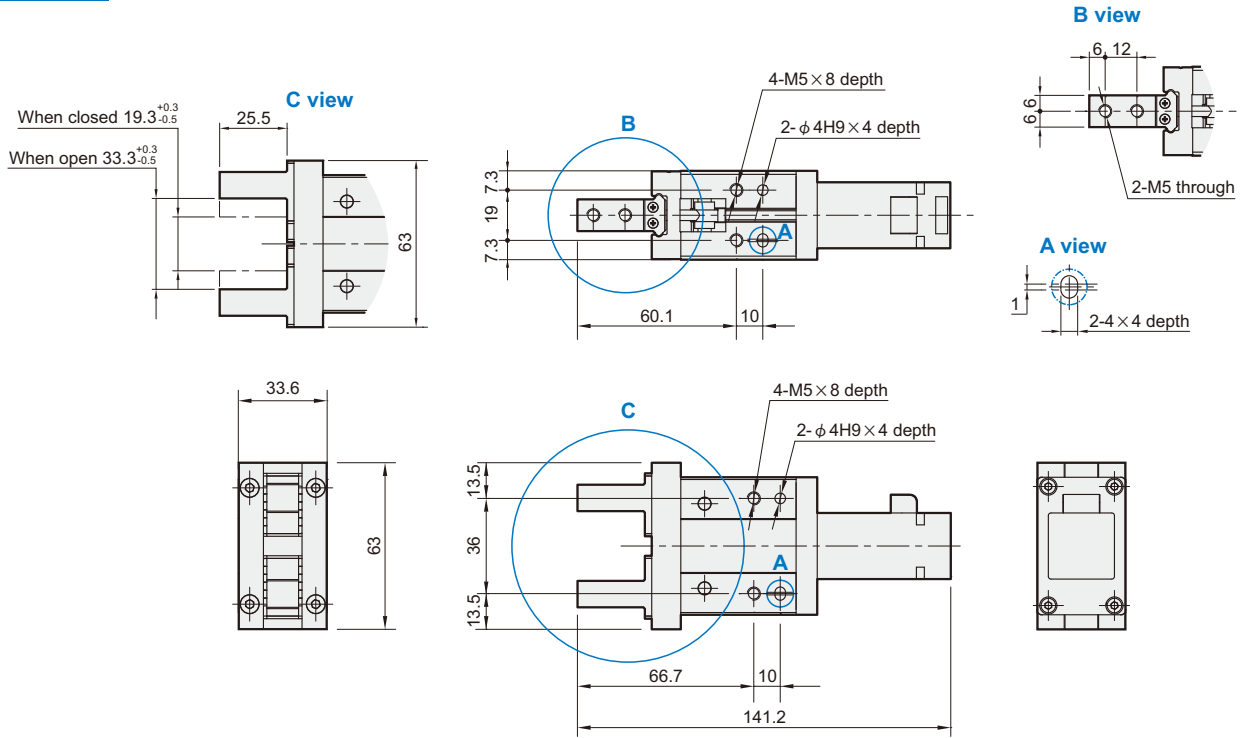


# MEHC-25 Dimensions

## ELECTRIC GRIPPER (WITH MOTOR)



### S14 Standard type



### N14 Narrow type

