



### Features

- Rack and pinion type / with external stoppers.
- Mounting from 3 directions.
- Piping and wiring are same directions.
- More compact.

### Specification

Model	MCRJ	
Tube I.D. (mm)	φ 6	φ 8
Port size	M3 × 0.5	
Rotation	90° , 180°	
Medium	Air (Non-lube)	
Operating pressure range	0.15~0.7 MPa	
Ambient temperature	0~+60°C	
Angle adjustment range	Each rotation end ±5°	
Weight (g)	90°	48
	180°	54
Sensor switch (※)	RT: Reed switch, RTN: NPN, RTP: PNP	

※ RT specification, please refer to page 5-14.

### Order example

MCRJ - 6 - 90

MODEL

TUBE I.D.

ROTARY ANGLE

Code	Rotary angle
90	90°
180	180°

### Effective torque

Model	Operating pressure (MPa)						
	0.15	0.2	0.3	0.4	0.5	0.6	0.7
MCRJ-6	0.013	0.017	0.026	0.034	0.042	0.05	0.059
MCRJ-8	0.029	0.038	0.057	0.076	0.095	0.11	0.13

Note. Effective torque values are representative values. They are not guaranteed values. Use them only as a guide.

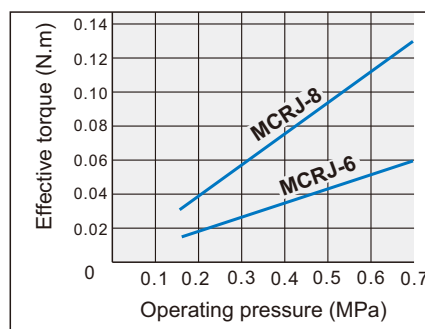
### Auto switch type

RT × 1

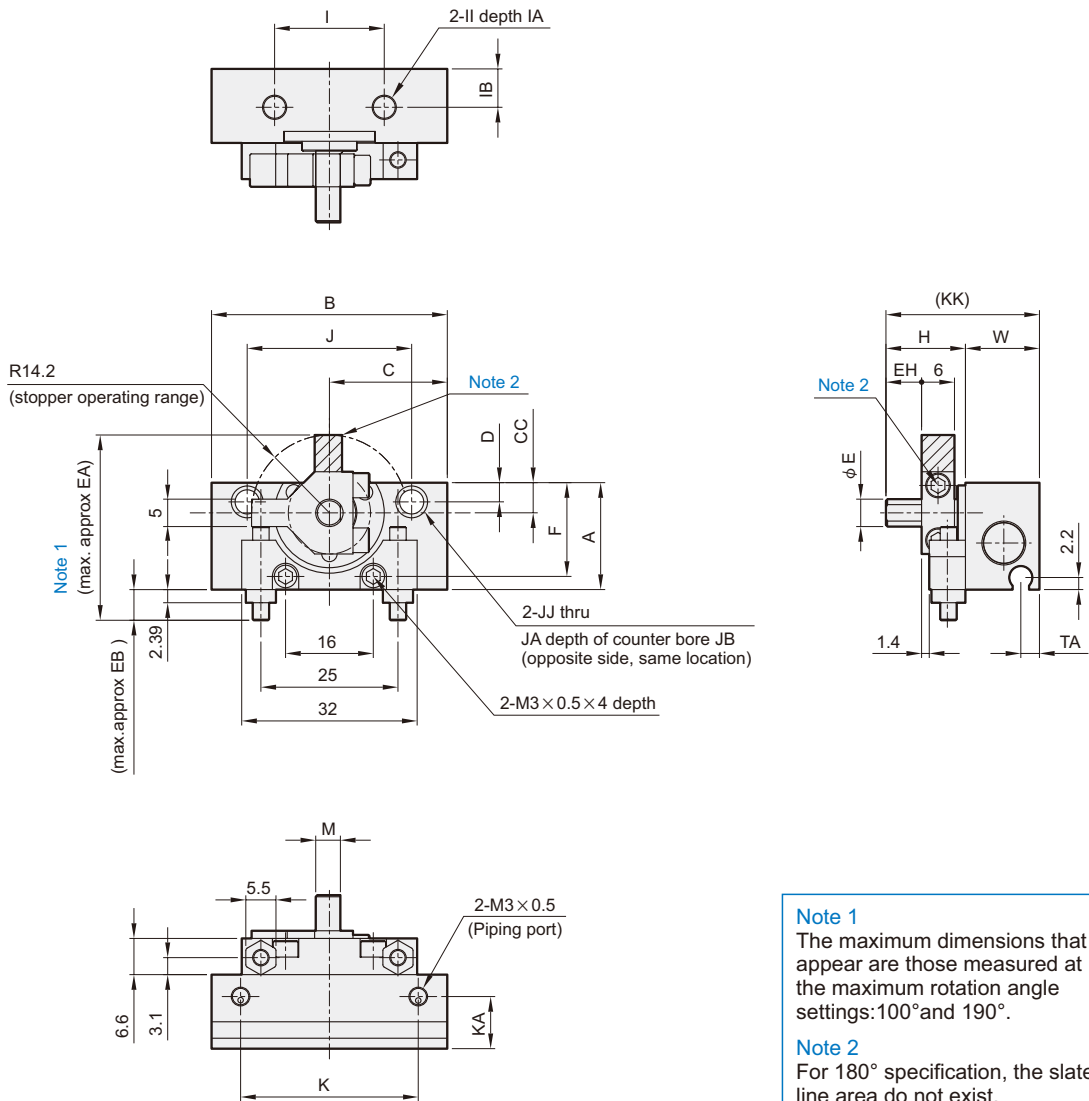
NUMBER of AUTO SWITCH

AUTO SWITCH TYPE

perpendicular	in-line	style
RTV	RT	Reed switch
RTNV	RTN	NPN
RTPV	RTP	PNP



## MINI-ROTARY ACTUATOR



Code Tubr I.D.	Rotation angle	A	B	C	CC	D	E	EA	EB	EH	F	H	I	IA	IB	II	J	JA	JB	JJ
6	90°	19.5	43	21.5	5.5	3.5	5g6	33.8	5.6	6.5	17.1	14.5	20	5	7	M4×0.7	30	5.8	3.5	M4×0.7
	180°		54	27																
8	90°	23.5	48	24	7.5	4.5	6g6	35.8	5.6	7.5	21.1	15.5	22	6	8.5	M5×0.8	35	7.5	4.5	M5×0.8
	180°		61	30.5																

Code Tubr I.D.	Rotation angle	K	KA	KK	M	TA	W
6	90°	32.4	9.5	28	4.5	3.4	13.5
	180°	43.4					
8	90°	37.4	12.5	32	5.5	5.9	16.5
	180°	50.4					