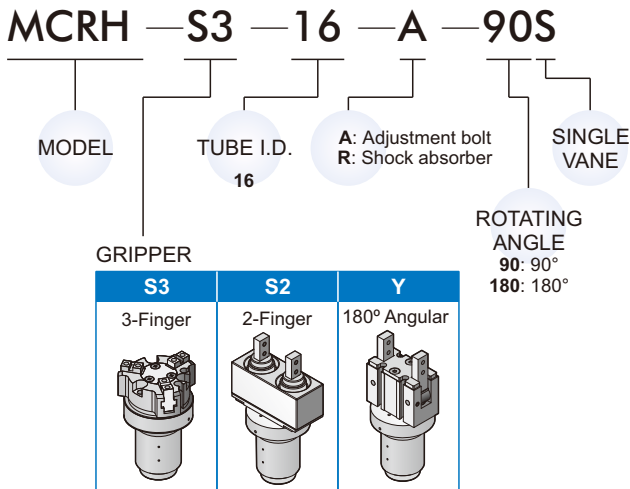




### Specification

Model		MCRH
Acting type		Double acting
Medium		Air
Operating pressure range	Rotary unit	0.25 ~0.7 MPa
	Gripper unit	0.1 ~0.7 MPa
Rotary angle		90° ±10° , 180° ±10° (※1)
Repeatability		0.05 mm
Max.operating frequency		180 c.p.m
Ambient temperature		+5°C~+60°C
Adjustable rotation time range		0.07~0.3 s/90° (at 0.5MPa) (※2)
Allowable kinetic energy		0.014J
Available speed range		50~200 mm/s
Sensor switch (※3)	Rotary unit	RH (2 wire), RHN/RHP (3 wire)
	Gripper unit	RHN/RHP (3 wire)
Cushion	Adjustment bolt	Rubber bumper
	Shock absorber	Shock absorber

### Order example

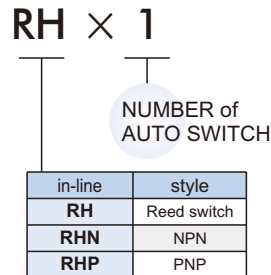


※1. Both ends of vibration ±5° adjustable.

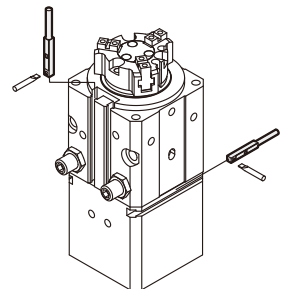
※2. Please operate the gripper within its adjustment range as specified. Sticking will occur when the operating speed has exceeded the limit value, it will cause the gripper to fail when operating.

※3. RH\* specification, please refer to page 5-12.

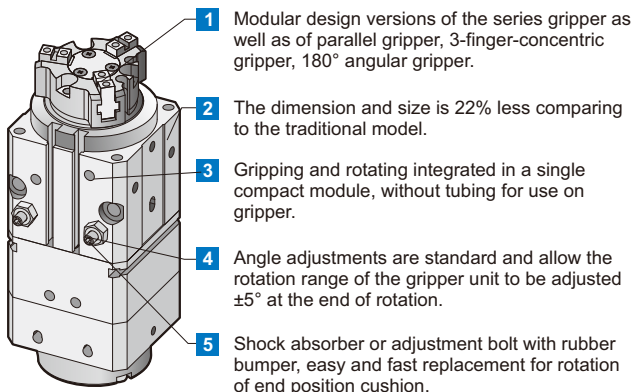
### Auto switch type



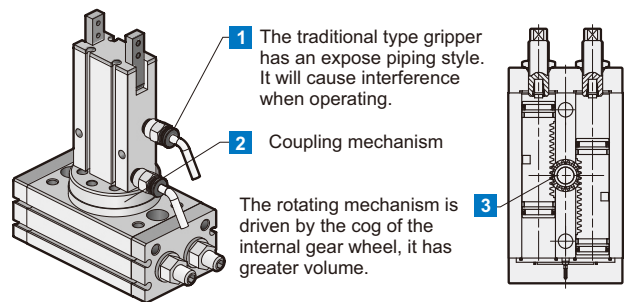
### Installation of sensor switch



### Rotary gripper



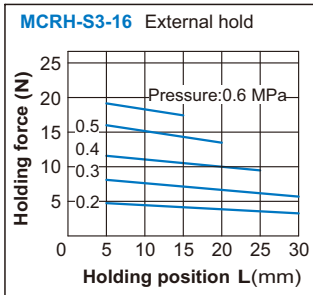
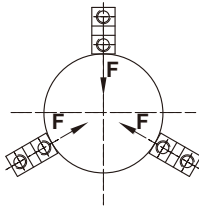
### Traditional gripper



**MCRH-S3-16**

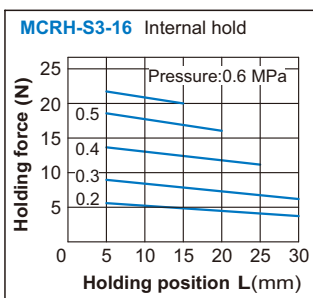
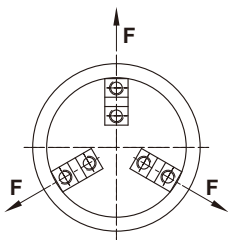
**External hold**

F: Thrust of one finger

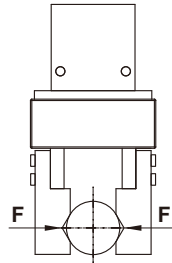


**Internal hold**

F: Thrust of one finger

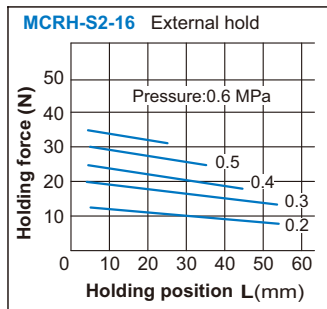
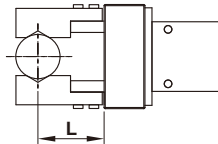


**MCRH-S2-16**

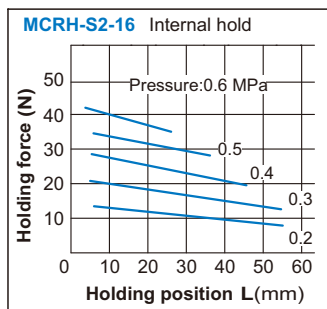
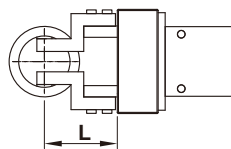


F: Thrust of one finger

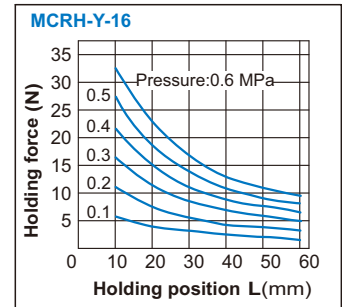
**External hold**



**Internal hold**

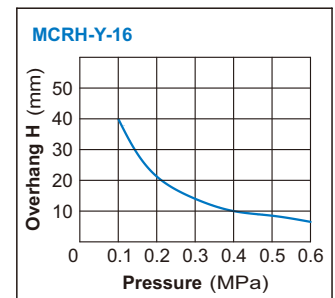
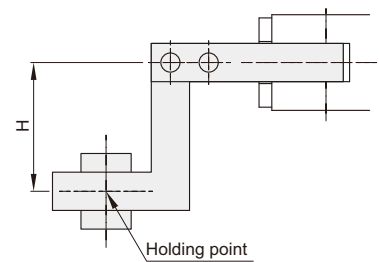


**MCRH-Y-16**



**Confirmation of holding point**

Work should be held at a point within the range of overhanging distance (H) for a given pressure indicated in the tables. When the work is held at a point outside of the recommended range for a given pressure, it may causes adverse effect on the product life.

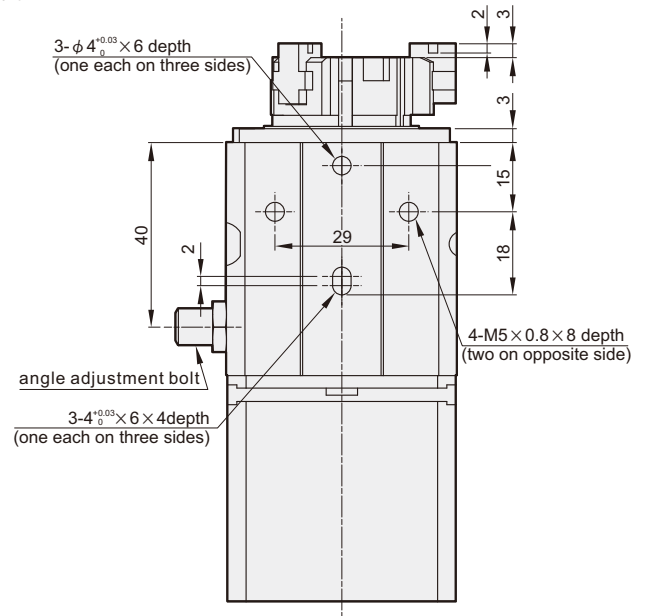
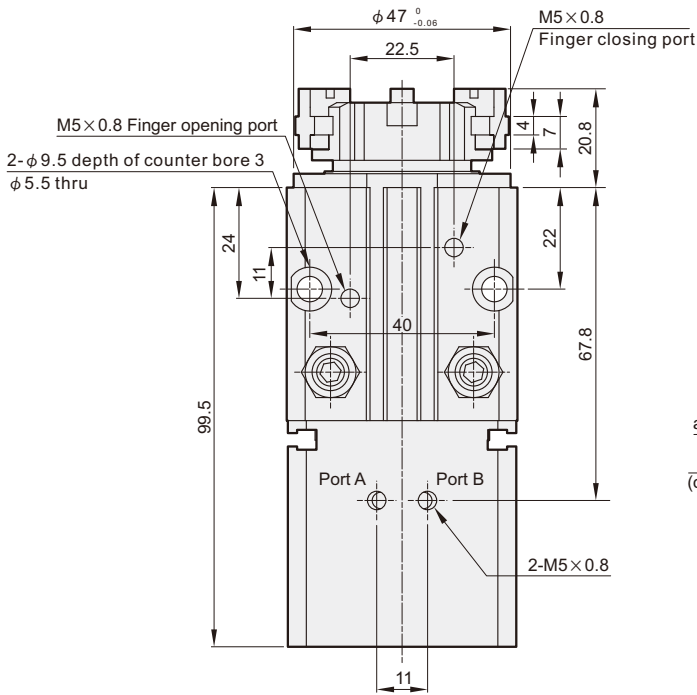
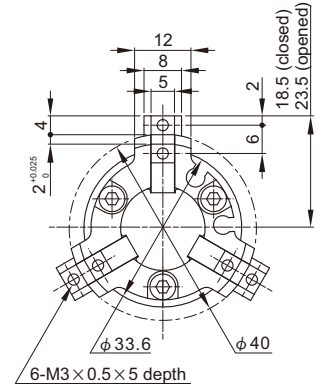
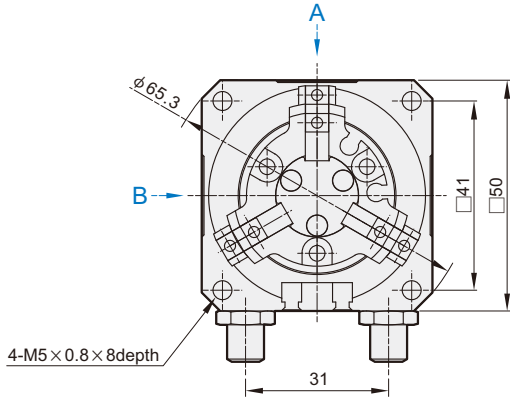


# MCRH-S3 Dimensions $\phi 16$

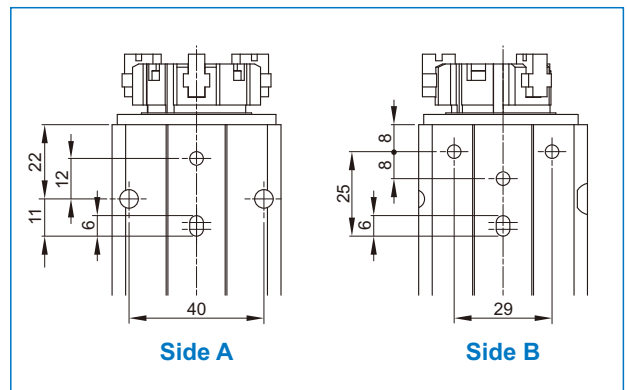
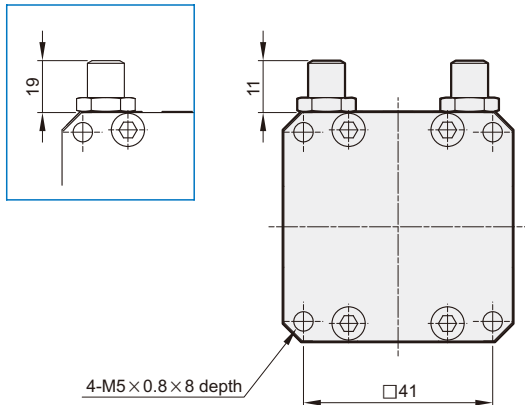
## ROTARY GRIPPER



Mindman



R: With shock absorber

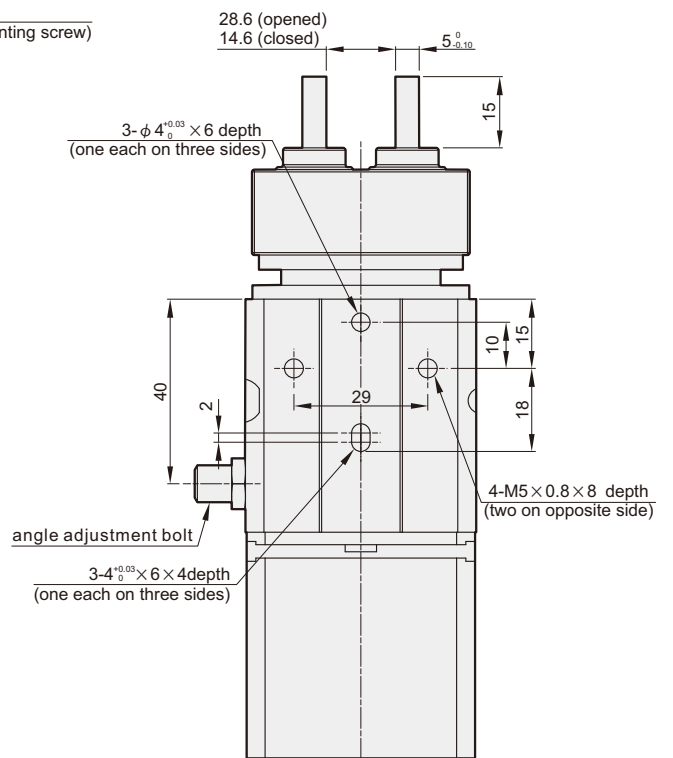
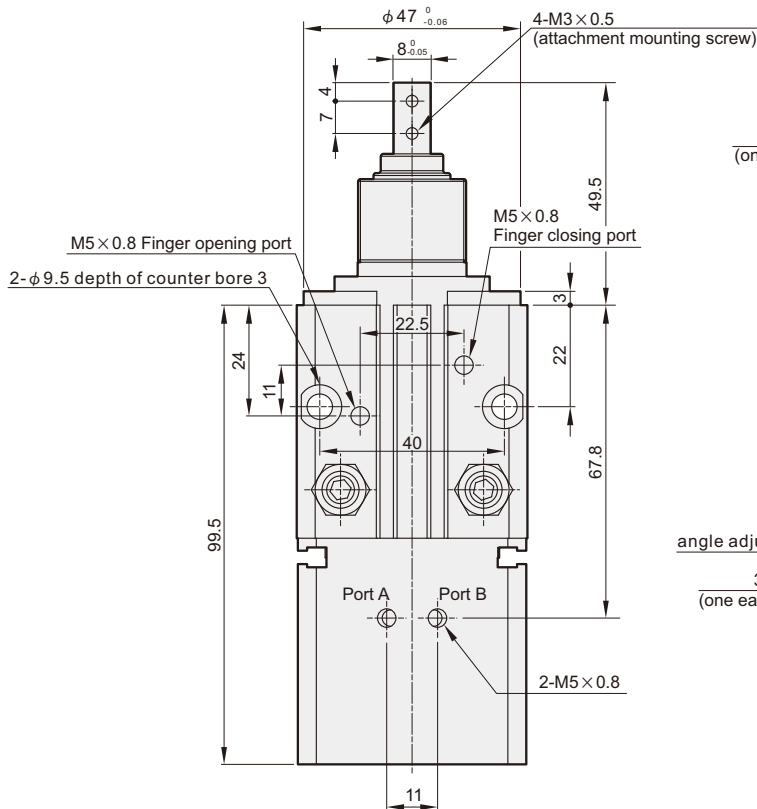
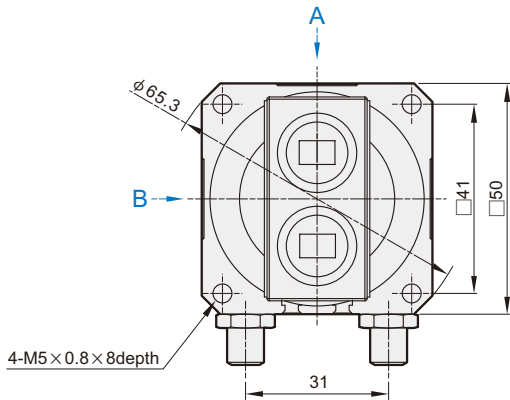


# MCRH-S2 Dimensions $\phi 16$

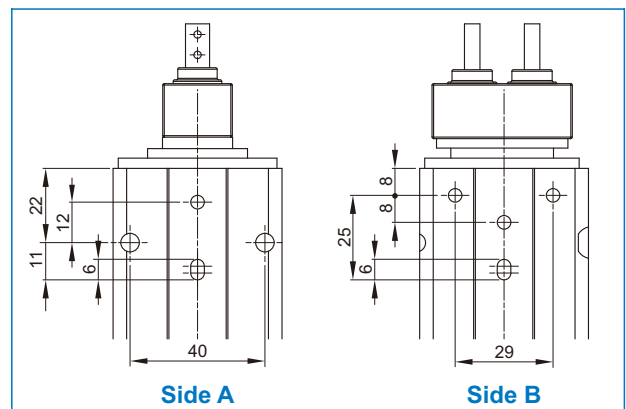
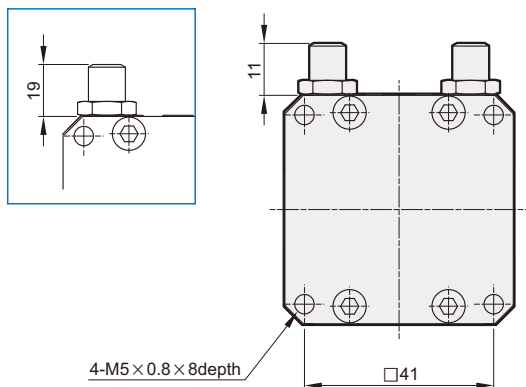
## ROTARY GRIPPER



Mindman



### R: with shock absorber

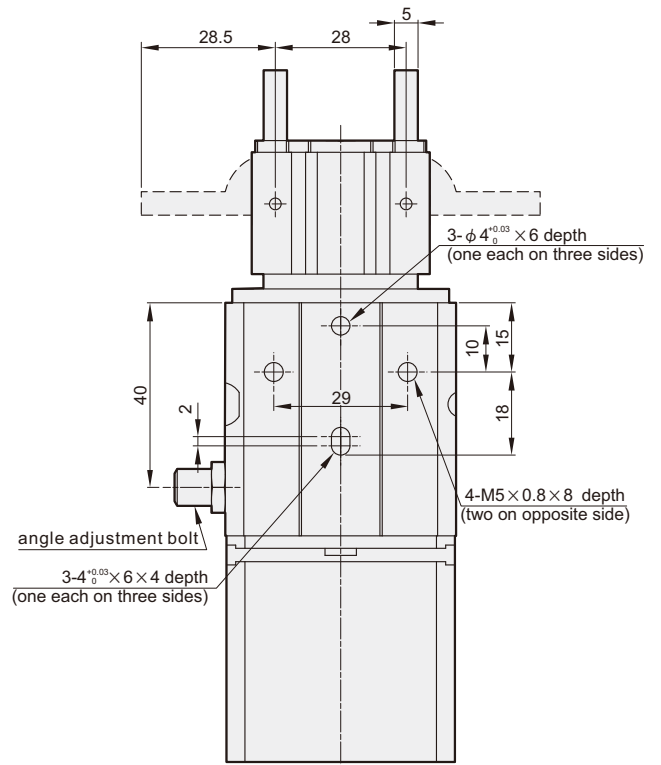
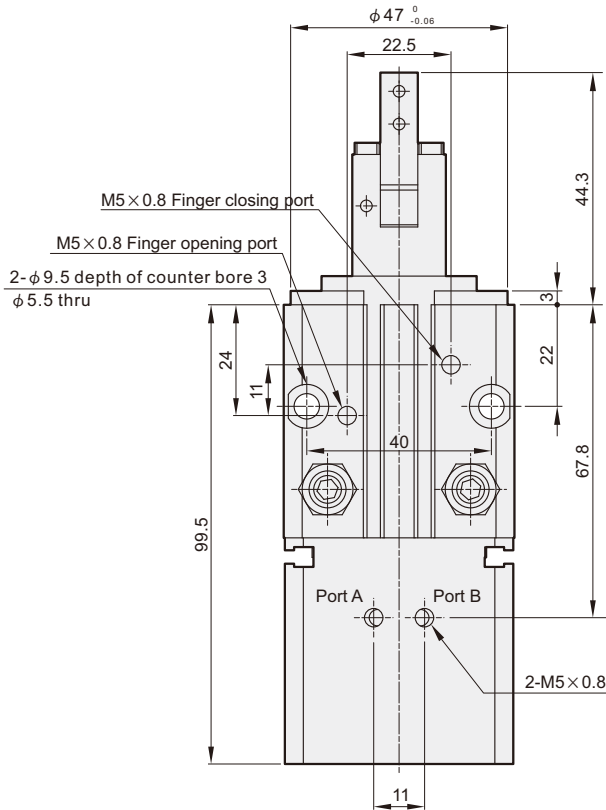
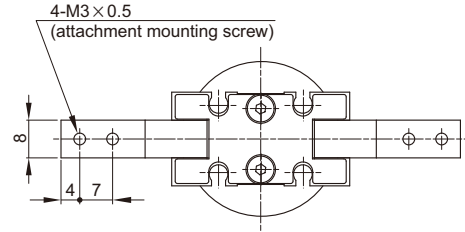
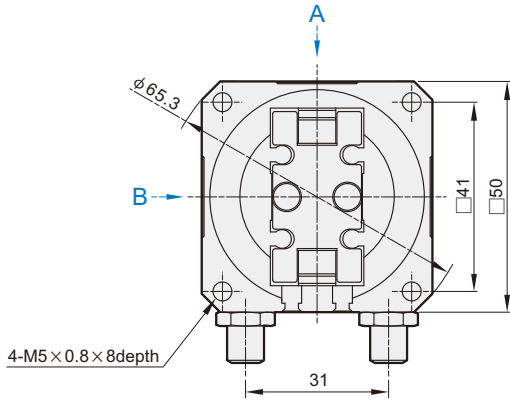


# MCRH-Y Dimensions $\phi 16$

## ROTARY GRIPPER



Mindman



### R: With shock absorber

