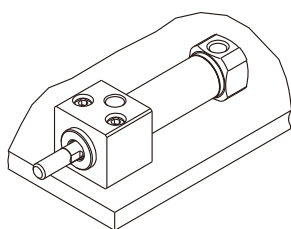
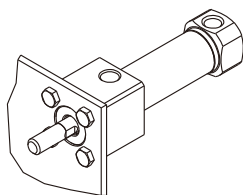




Mounting



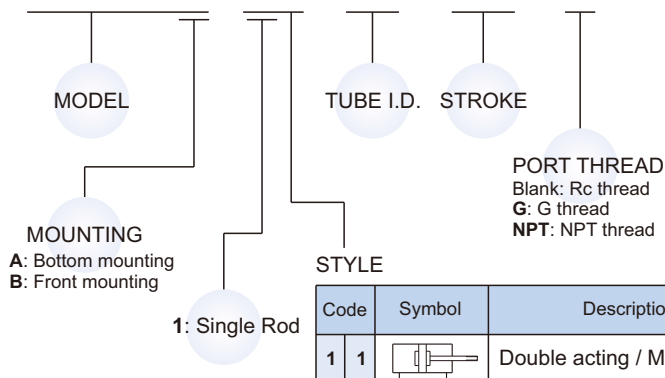
A: Bottom mounting



B: Front mounting

Order example

MCMBRA-11-25-100-G



Features

■ Compact type

The cylinder can be directly mounted without bracket (You have bracket) the overall length is shorter and so it will fit into a more confined space. This gives the benefit of saving space when installing the cylinder.

■ Improved strength and accuracy of installation.

■ Two installation methods.

■ Cylinder can be front mounted, or mounted from underneath.

■ Magnetic as standard.

Specification

Model	MCMBRA, MCMBRB			
Tube I.D. (mm)	φ 20	φ 25	φ 32	φ 40
Port size	Rc1/8			Rc1/4
Medium	Air			
Max operating pressure	1 MPa			
Min operating pressure	0.05 MPa			
Proof pressure	1.5 MPa			
Ambient temperature	-5~+60°C (No freezing)			
Lubrication	Not required			
Available speed range	50~500mm/sec			
Max. allowable kinetic energy	0.27J	0.4J	0.65J	1.2J
Cushion	with rubber cushion pad			
Sensor switch (※)	RCA, RCM			
Sensor switch band	BA20	BA25	BA32	BA40
	BGS20	BGS25	BGS32	BGS40
	BM20	BM25	BM32	BM40

※ RCA, RCM specification, please refer to page 8-6, 13.

※ Sensor switch band BM** only for RCM.

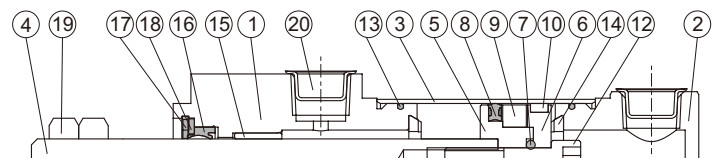
Table for standard stroke

Tube I.D.	Stroke (mm)
φ 20, 25, 32, 40	25, 50, 75, 100, 125, 150, 200, 250, 300

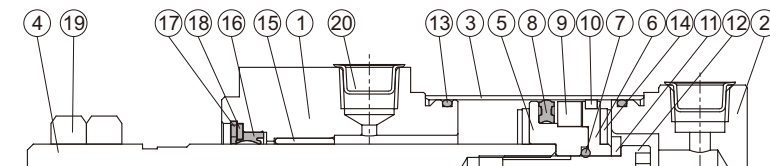
MINIATURE CYLINDER

Mindman

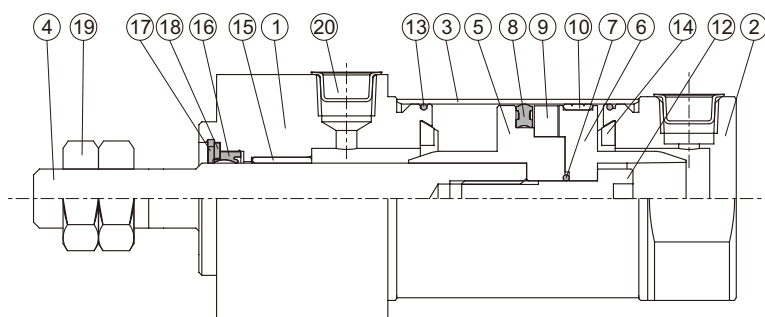
φ 20



φ 25



φ 32, φ 40



Material

No.	Part name	Tube I.D.				Q'y	Component parts (inclusion)	Repair kits (inclusion)
		20	25	32	40			
1	Rod cover	Aluminum alloy				1	●	
2	Head cover	Aluminum alloy				1	●	
3	Tube	Stainless steel				1		
4	Piston rod	Carbon steel				1		
5	Piston-R	Aluminum alloy	※2	※1	※1	1	●	
6	Piston-H	Aluminum alloy	※2	※1	※1	1	●	
7	Piston gasket	NBR				1	●	
8	Piston packing	NBR				1	●	
9	Magnet ring	Magnet material				1	●	
10	Wear ring	Teflon + Graphite				1	●	
11	Washer	—	※3	—	—	1	●	
12	Piston bolt	SCM				1	●	
13	Cover ring	NBR				2	●	
14	Cushion gasket	NBR				2	●	
15	Rod bush	Bearing alloy				1	●	
16	Rod packing	NBR				1	●	●
17	Snap ring	Spring steel				1	●	
18	Washer	Carbon steel				1	●	
19	Rod front nut	Carbon steel				2	●	
20	Port plug	Plastic				2	●	

※1. Aluminum alloy ※2. Polyurethane ※3. Carbon steel

Order example of component parts / repair kits

Tube I.D.	Component parts	Repair kits
φ 20	CP-MCMBRA-20	PS-MCMB-20
	CP-MCMBRB-20	
φ 25	CP-MCMBRA-25	PS-MCMB-25
	CP-MCMBRB-25	
φ 32	CP-MCMBRA-32	PS-MCMB-32
	CP-MCMBRB-32	
φ 40	CP-MCMBRA-40	PS-MCMB-40
	CP-MCMBRB-40	

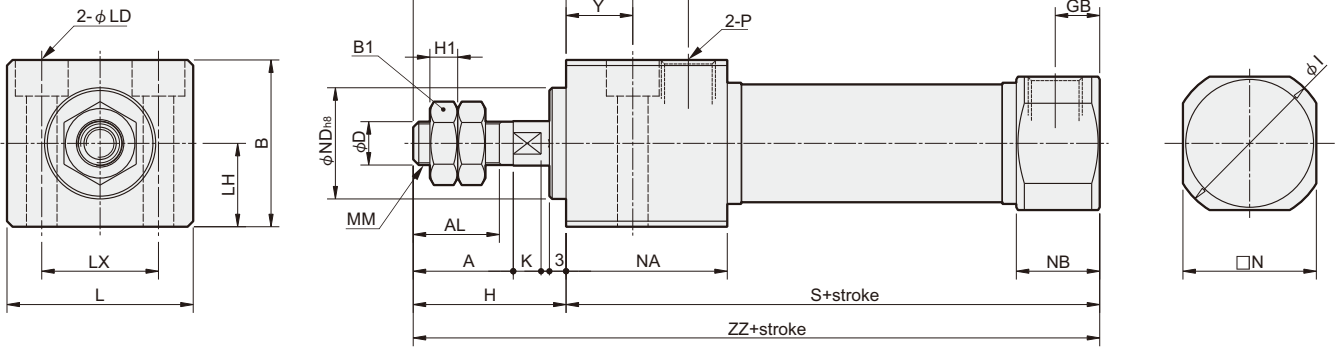
※ Use the same repair kits with MCMB.

MCMBR* Dimensions / Double acting $\phi 20 \sim \phi 40$

MINIATURE CYLINDER



MCMBRA

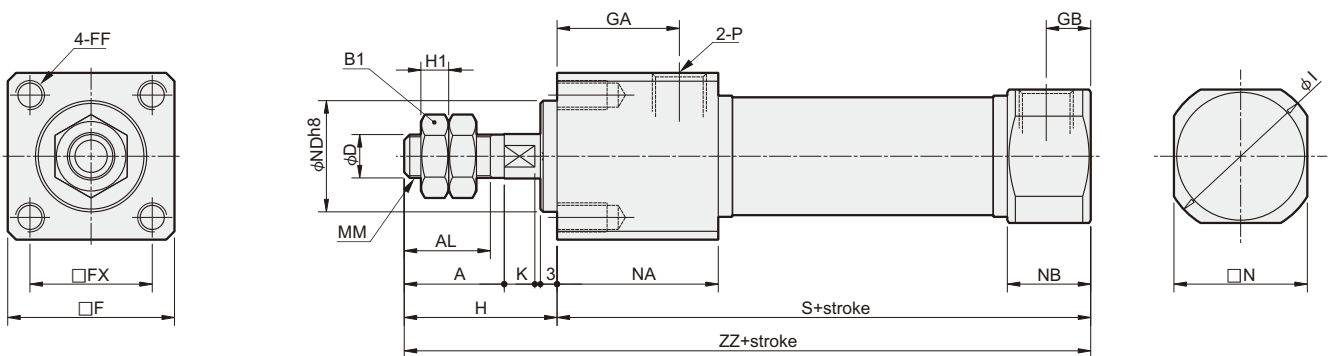


Unit: mm

Code Tube I.D.	A	AL	B	B1	D	GA	GB	H	H1	I	K	L	LD	LH	LX	MM	N	NA	NB	ND
20	18	15.5	30	13	8	22	8	27	5	28	5	33.5	$\phi 5.5$ thru, $\phi 9.5 \times 6.5$ depth	15	21	M8 \times 1.25	24	29	15	20 ⁰ _{-0.033}
25	22	19.5	36	17	10	22	8	31	6	33.5	5	39	$\phi 6.6$ thru, $\phi 11 \times 7.5$ depth	18	25	M10 \times 1.25	30	29	15	26 ⁰ _{-0.033}
32	22	19.5	42	17	12	22	8	31	6	37.5	5.5	47	$\phi 9$ thru, $\phi 14 \times 10$ depth	21	30	M10 \times 1.25	34.5	29	15	26 ⁰ _{-0.033}
40	24	21	52	22	14	27	11	34	8	46.5	7	58.5	$\phi 11$ thru, $\phi 17.5 \times 12.5$ depth	26	38	M14 \times 1.5	42.5	37.5	21.5	32 ⁰ _{-0.039}

Code Tube I.D.	P	S	X	Y	ZZ
20	Rc1/8	76	39	12	103
25	Rc1/8	76	43	12	107
32	Rc1/8	78	43	12	109
40	Rc1/4	104	49	15	138

MCMBRB



Unit: mm

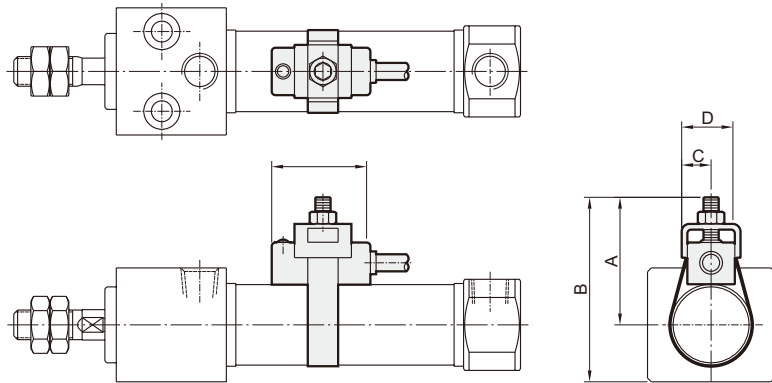
Code Tube I.D.	A	AL	B1	D	F	FF	FX	GA	GB	H	H1	I	K	MM	N	NA	NB	ND	P	S	ZZ
20	18	15.5	13	8	30	M5 \times 0.8 \times 9 depth	22	22	8	27	5	28	5	M8 \times 1.25	24	29	15	20 ⁰ _{-0.033}	Rc1/8	76	103
25	22	19.5	17	10	36	M6 \times 1.0 \times 11 depth	26	22	8	31	6	33.5	5	M10 \times 1.25	30	29	15	26 ⁰ _{-0.033}	Rc1/8	76	107
32	22	19.5	17	12	42	M6 \times 1.0 \times 11 depth	30	22	8	31	6	37.5	5.5	M10 \times 1.25	34.5	29	15	26 ⁰ _{-0.033}	Rc1/8	78	109
40	24	21	22	14	52	M8 \times 1.25 \times 14 depth	36	27	11	34	8	46.5	7	M14 \times 1.5	42.5	37.5	21.5	32 ⁰ _{-0.039}	Rc1/4	104	138

MCMBR* Installation of sensor switch $\phi 20 \sim \phi 40$

MINIATURE CYLINDER

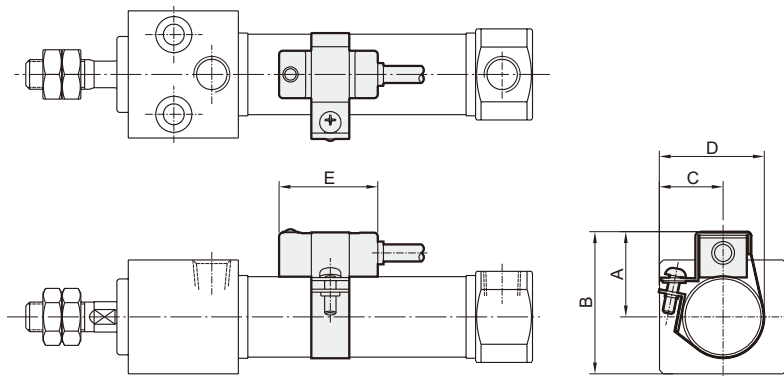
Sensor switch: RCA
Sensor switch band: BA**

Code Tube I.D.	A	B	C	D	E
20	34	49	8	16	26
25	37	55	8	16	26
32	40	62	8	16	26
40	44	71	8	16	26



Sensor switch: RCA
Sensor switch band: BGS**

Code Tube I.D.	A	B	C	D	E
20	25	40	18	30	26
25	25.5	43.5	18.5	33.5	26
32	29	50.5	22	39.5	26
40	33	60	26	47.5	26



Sensor switch: RCM
Sensor switch band: BM**

Code Tube I.D.	A	B	C	D	E
20	22	37	10	16	28
25	25	43	10	16	28
32	28	50	10	16	28
40	32	59	10	16	28

