

### Features

- Aluminium alloy tube provides both smooth lines and high corrosion resistance.
- Self lubricated nose bush gives long life.
- Versatile porting position available.
- End cushioning at both ends reduces impact loads.
- Available with magnetic piston and sensors.

### Specification

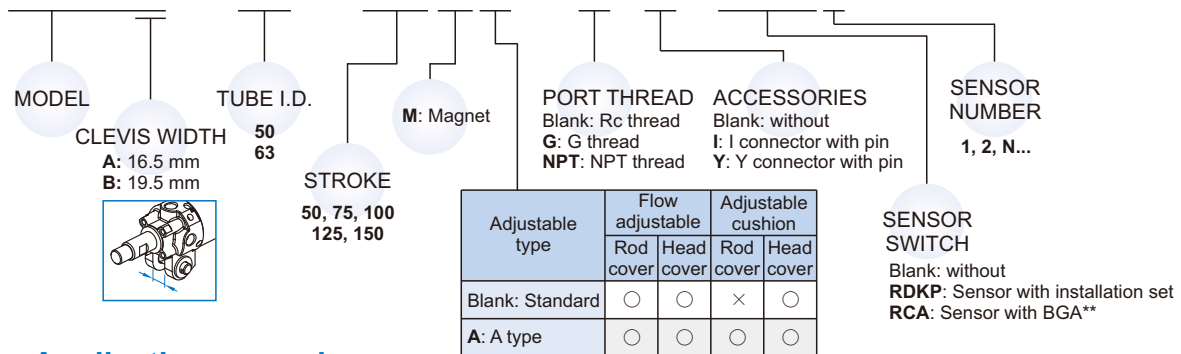
Model	MCKGA / B	
Acting type	Double acting	
Tube I.D. (mm)	50	63
Medium	Air	
Operating pressure range	0.05~1 MPa	
Proof pressure	1.5 MPa	
Ambient temperature	-5~+60℃ (No freezing)	
Lubrication	Not required	
Available speed range	50~500 mm/sec	
Sensor switch (※)	RCA, RDKP	
Sensor switch accessories	RCA	BGA50 BGA63
	RDKP	PMB-040

### Table for standard stroke

Tube I.D.	Stroke (mm)
φ 50, 63	50, 75, 100, 125, 150

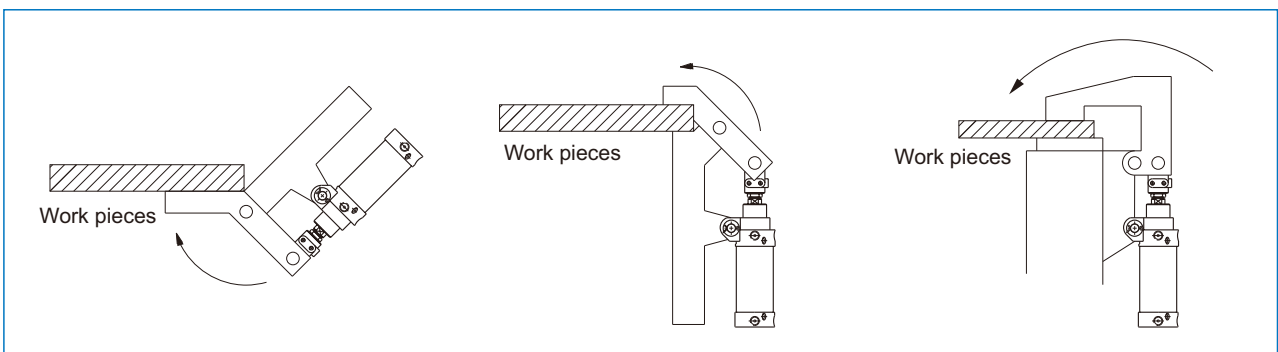
### Order example

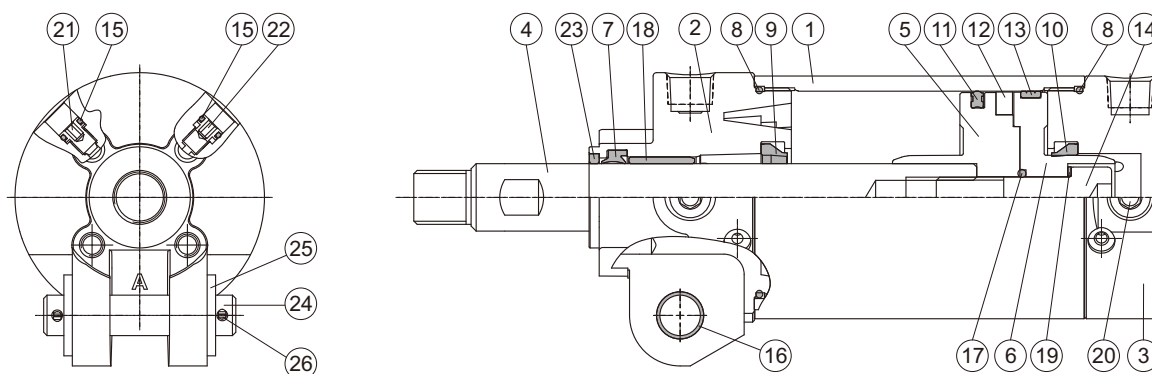
**MCKGA - 50 - 100MA - G - I - RDKP2**



※ RCA, RDKP specification, please refer to page 5-2, 11.

### Application examples





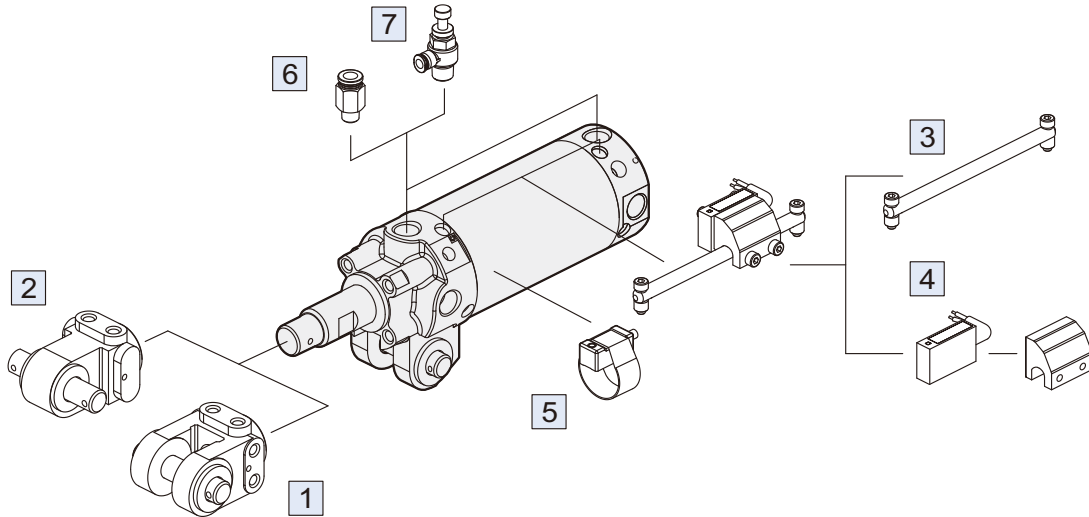
### Material

No.	Part name	Material	Q'y	Component parts(inclusion)	Repair kits (inclusion)
1	Tube	Aluminum alloy	1		
2	Rod cover	Aluminum alloy	1	●	
3	Head cover	Aluminum alloy	1	●	
4	Piston rod	Medium carbon steel	1		
5	Piston-R	Aluminum alloy	1	●	
6	Piston-H	Aluminum alloy	1	●	
7	Rod packing	NBR	1	●	●
8	Cover ring	NBR	2	●	●
9	Cushing packing-R (※)	NBR	1	●	●
10	Cushion packing-H	NBR	1	●	●
11	Piston packing	NBR	1	●	●
12	Magnet ring	Magnet material	1	●	
13	Wear ring	Teflon	1	●	
14	Piston bolt	SCM	1	●	
15	Need valve packing	NBR	4	●	●
16	Bush	Copper	2	●	
17	Piston gasket	NBR	1	●	●
18	Rod bush	Copper	1	●	
19	Washer	Carbon steel	1	●	
20	Seal screw	Carbon steel	4	●	
21	Flow needle valve	Copper	2	●	
22	Cushion needle valve	Copper	2	●	
23	Scraper	Copper	1	●	
24	Pin	Carbon steel	1	●	
25	Washer	Carbon steel	2	●	
26	Split pin	Carbon steel	2	●	

### Order example of repair kits

Tube I.D.	Repair kits
φ 50	PS-MCKG-50
	PS-MCKG-50-A
φ 63	PS-MCKG-63
	PS-MCKG-63-A

※ Flow adjustable type without cushioning packing-R.

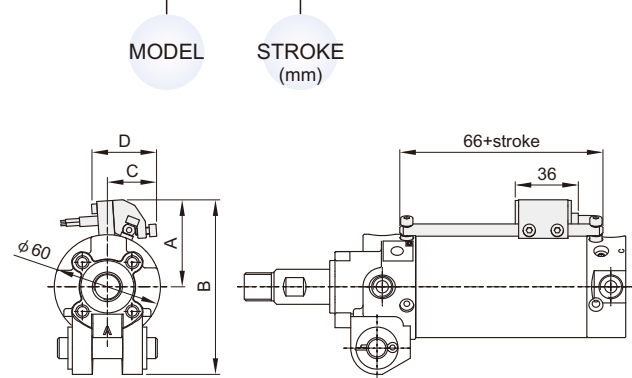
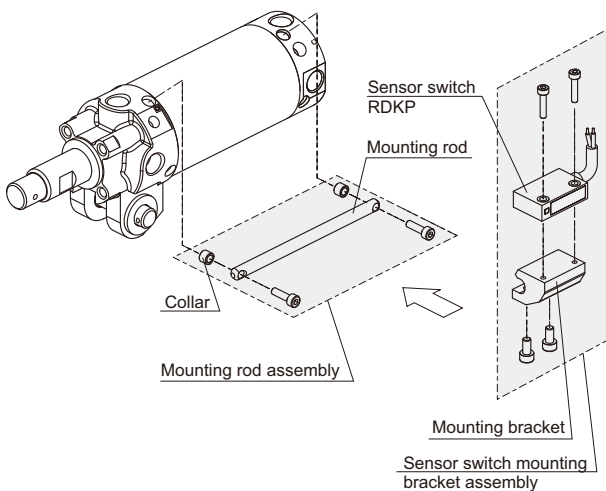


No.	Accessories	Page
1	Accessories Y+PIN	2-21
2	Accessories I+PIN	2-21
3	Mounting rod assembly	2-20
4	Sensor switch RDKP+PMB-040	5-11
5	Sensor switch RCA+BGA**	5-2
6	Fitting PC (PISCO)	8-5 (Vol.1)
7	Speed controller JSC (PISCO)	8-18 (Vol.1)

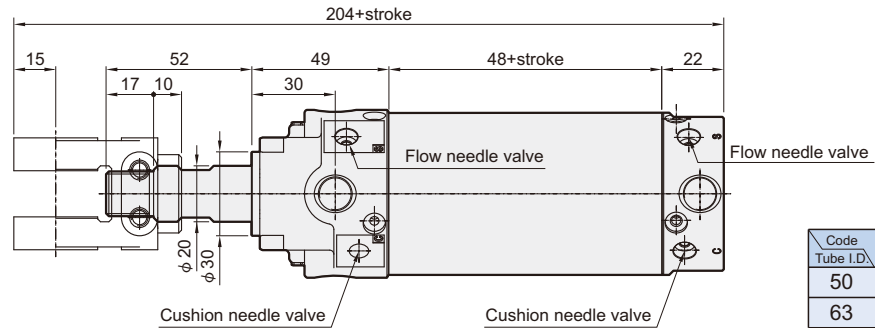
Installation of sensor switch

Order example of mounting rod assembly

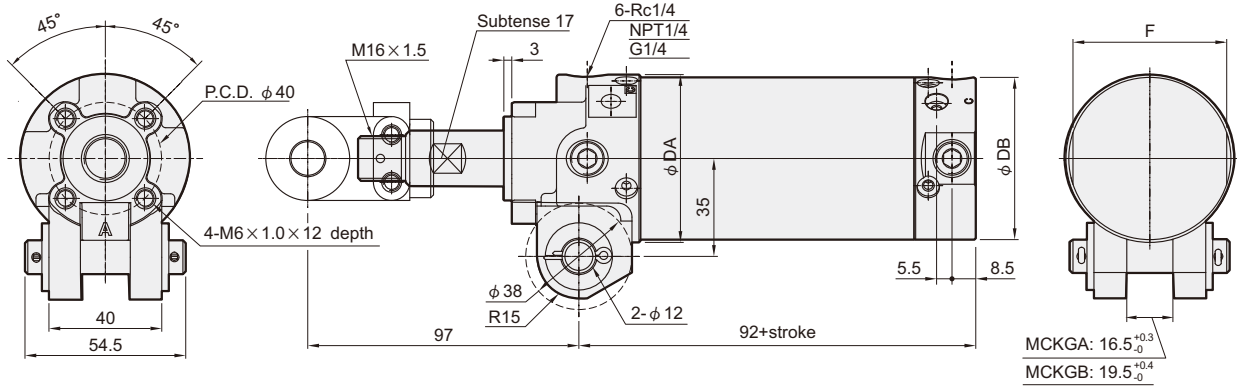
RZ – MCKG – 50



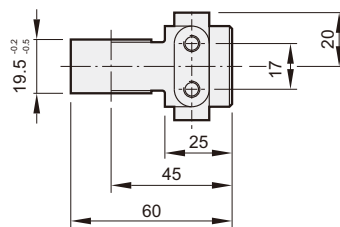
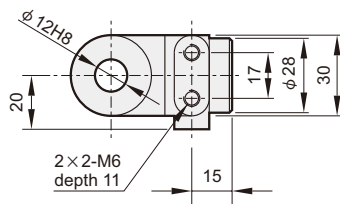
Code Tube I.D.	A	B	C	D
50	49.7	99.7	28.2	37.3
63	56.3	106.3	30.6	36.6



Code Tube I.D.	DA	DB	F
50	60	58	55
63	74	72	69

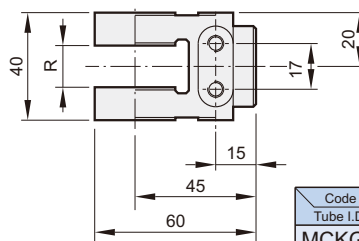
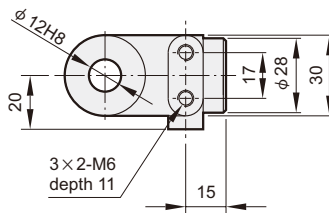


**I connector**



**Order example**  
**I – MCKG**

**Y connector**

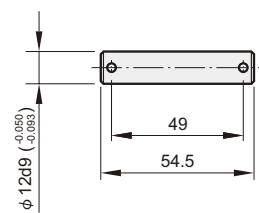


Code Tube I.D.	R
MCKGA	16.5^{+0.3}_0
MCKGB	19.5^{+0.4}_0

**Order example**  
**Y – MCKGA**

CLEVIS  
WIDTH  
A, B

**Pin**



Split pin:  $\phi 1/8" \times 3/4" L$   
(1set: 2pcs)

**Order example**  
**PIN – MCKG**