

Features

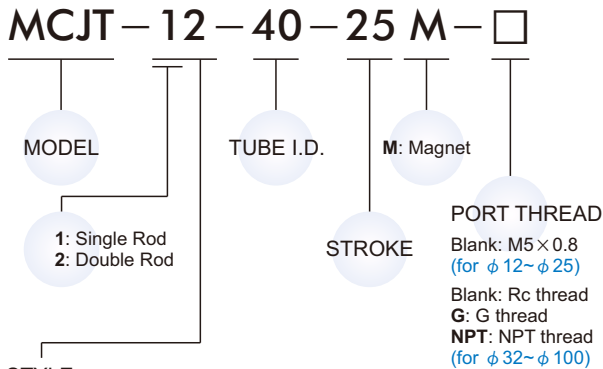
- Ultra Compact, light weight and space saving cylinder.
- Wide range of bore sizes and strokes (12mm~100mm).
- Single and double acting available.

Specification

Model	MCJT									
Acting type	Double acting / Single acting			Double acting						
Tube I.D. (mm)	12	16	20	25	32	40	50	63	80	100
Port size	M5×0.8			Rc1/8	Rc1/4	Rc3/8				
Medium	Air									
Operating pressure (MPa)	Double acting	0.05~1	0.03~1	0.02~1						
	Single acting	0.2~1	0.15~1	0.1~1	—					
Proof pressure	1.5 MPa									
Ambient temperature	-5~+60°C (No freezing)									
Available speed range	50~500 mm/sec									
Sensor switch (※)	RCB, RCE, RCE1, RDEP									

※ RCB, RCE, RCE1, RDEP specification, please refer to page 8-8, 10, 15.

Order example



STYLE

Code	Symbol	Description
1 1		Double acting / Male thread
1 2		Double acting / Female thread
1 3		Single acting / Normally extended male thread
1 4		Single acting / Normally extended female thread
1 5		Single acting / Normally returned male thread
1 6		Single acting / Normally returned female thread
2 1		Double rod / Male thread
2 2		Double rod / Female thread
2 7		Double rod / Adjustable male thread
2 8		Double rod / Adjustable female thread

※ Order example for special specification, refer to page 0-7.

Double acting - Table for standard stroke

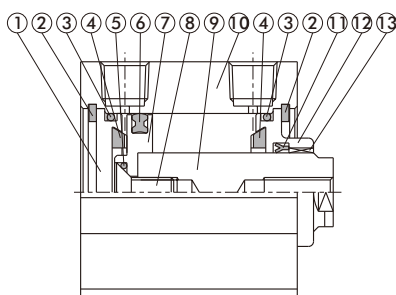
	Tube I.D.	Stroke (mm)	Max. stroke
Single rod	φ 12, φ 16	5, 10, 15, 20, 25, 30	300
	φ 20,25,32	5, 10, 15, 20, 25, 30, 35, 40, 45, 50	300
	φ 40,50,63	5, 10, 15, 20, 25, 30, 35, 40, 45, 50	125
	φ 80~100	5, 10, 15, 20, 25, 30, 35, 40, 45, 50	125
Dual rod	φ 12, φ 16	5, 10, 15, 20, 25, 30	300
	φ 20,25,32	5, 10, 15, 20, 25, 30, 35, 40, 45, 50	300
	φ 40,50,63	5, 10, 15, 20, 25, 30, 35, 40, 45, 50	125
	φ 80~100	5, 10, 15, 20, 25, 30, 35, 40, 45, 50	125

- Stroke out of specification is also available.
- Please consult us if stroke out of specification.

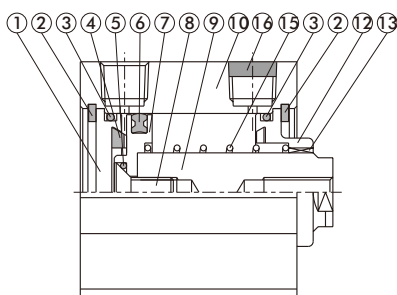
Single acting - Table for standard stroke

Tube I.D.	Stroke (mm)
φ 12, 16, 20, 25, 32, 40	5, 10
φ 50	10, 20

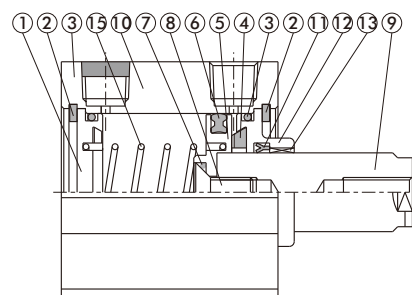
Double acting



Single acting Normally returned



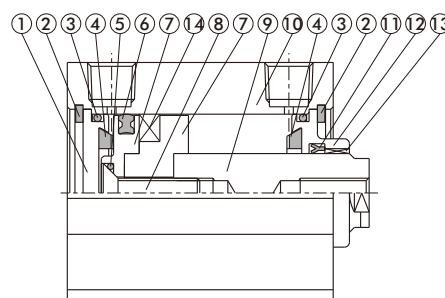
Single acting Normally extended



Seal kit

Acting type	Rod packing		Piston packing		Cover ring	Piston gasket
	Double action normally extended	Normally returned	Double action	Single action	Double action single action	Double action single action
Qty.	1	0	1	1	2	1
12	KSYR-6	—	OPA-12	OPA-12	S-12	d4 × w1
16	KSYR-8	—	OPA-16	OPA-16	S-14	d6 × w1
20	KSYR-10	—	OPA-20	OPA-20	S-18	d6 × w1
25	KSYR-12	—	OPA-25	OPA-25	S-22	d8 × w1
32	KSYR-16	—	OPA-32	OPA-32	d28 × w2	S-9
40	KSYR-16	—	OPA-40	OPA-40	S-36	S-9
50	KSYR-20	—	OPA-50	OPA-50	AS-31	S-16
63	KSYR-20	—	OPA-63	—	AS-35	S-16
80	ORA-25	—	OPA-80	—	AS-41	d20 × w1
100	SDR-30	—	OPA-100	—	S-95	S-26

Double acting (with magnet)



Material

No.	Part name	Tube I.D.	Tube I.D.								Q'y	Component parts (inclusion)	Repair kits (inclusion)	
			12	16	20	25	32	40	50	63				80
1	Head cover		Aluminum alloy								1	●		
2	Snap ring		Stainless steel				Spring steel				2	●		
3	Cover ring		NBR								2	●	●	
4	Cushion packing		—	NBR								2	●	●
5	Piston gasket		NBR								1	●	●	
6	Piston packing		NBR								1	●	●	
7	Piston		Aluminum alloy								1	●		
8	Screw	With magnet	Stainless steel				SCM				1	●		
		Without magnet	SCM	SUS				SCM				1	●	
9	Piston rod		Stainless steel				Carbon steel				1			
10	Body		Aluminum alloy								1			
11	Rod packing		NBR								1	●	●	
12	Rod cover		Aluminum alloy								1	●		
13	Bush		—				Bearing alloy				1	●		
14	Magnet		Plastic								1	●		
15	Spring		SWP				—				1	●		
16	Silencer		Brass				—				1	●		

Order example Component parts

Tube I.D.	Component parts
φ 12	CP-MCJT-12(M)
φ 16	CP-MCJT-16(M)
φ 20	CP-MCJT-20(M)
φ 25	CP-MCJT-25(M)
φ 32	CP-MCJT-32(M)
φ 40	CP-MCJT-40(M)
φ 50	CP-MCJT-50(M)
φ 63	CP-MCJT-63(M)
φ 80	CP-MCJT-80(M)
φ 100	CP-MCJT-100(M)

M: With magnet

Repair kits

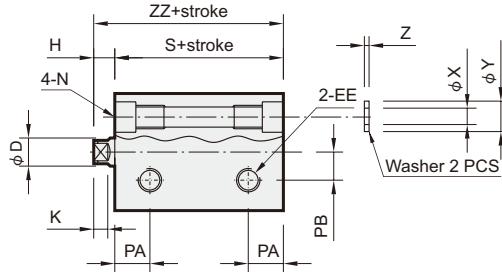
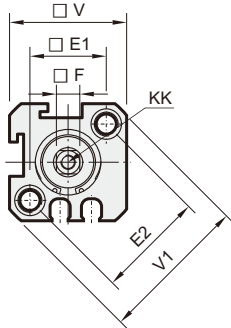
Tube I.D.	Repair kits
φ 12	PS-MCJT-12
φ 16	PS-MCJT-16
φ 20	PS-MCJT-20
φ 25	PS-MCJT-25
φ 32	PS-MCJT-32
φ 40	PS-MCJT-40
φ 50	PS-MCJT-50
φ 63	PS-MCJT-63
φ 80	PS-MCJT-80
φ 100	PS-MCJT-100

MCJT Female thread $\phi 12\sim\phi 100$

COMPACT CYLINDER



$\phi 12, \phi 16$



$\phi 12, \phi 16$ Long stroke
(Without counter bore)

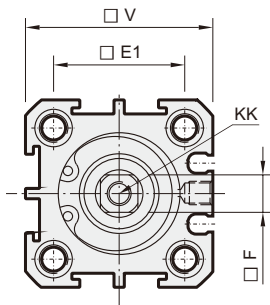


$\phi 20\sim\phi 100$ Long stroke
(Without counter bore)

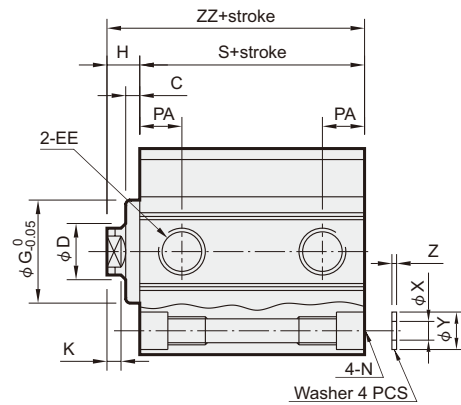
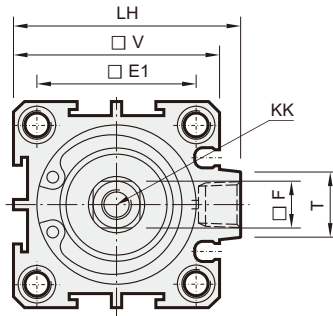


※ With magnet type: the stroke length must be over 100mm.

$\phi 20, \phi 25$



$\phi 32\sim\phi 100$



Code Tube I.D.	C	D	E1	E2	EE	F	G	H	K	KK	LH	N	PA	PB
12	-	6	16.3	23	M5×0.8	5	-	4.5	3	M3×0.5×7depth	-	6.5×4.5depth, 4.3, M5×0.8×6depth	7.5	5.5
16	-	8	19.8	28	M5×0.8	6	-	4.5	3	M4×0.7×7depth	-	6.5×4.5depth, 4.3, M5×0.8×6depth	8	6.5
20	1.5	10	24	-	M5×0.8	8	13	5.5	3	M5×0.8×10depth	-	6.5×4.5depth, 4.3, M5×0.8×7.5depth	7.5	-
25	2	12	28	-	M5×0.8	10	17	6	3	M6×1×10depth	-	9×7depth, 5.1, M6×1.0×10depth	8	-
32	3.3	16	34	-	Rc1/8 (※1)	14	22	7	3	M8×1.25×12depth	48.5	9×7depth, 5.1, M6×1.0×10depth	9	-
40	3.3	16	40	-	Rc1/8 (※1)	14	28	7	3	M8×1.25×12depth	56.5	10.5×8depth, 6.9, M8×1.25×10depth	10	-
50	4	20	48	-	Rc1/4 (※2)	17	38	9	3	M10×1.5×15depth	70	11×8.5depth, 6.9, M8×1.25×16.5depth	10.5	-
63	4	20	60	-	Rc1/4 (※2)	17	40	9	3	M10×1.5×15depth	83	11×8.5depth, 6.9, M8×1.25×10depth	11	-
80	5	25	74	-	Rc3/8 (※3)	22	45	11	4	M14×2×20depth	102	14×10.5depth, 10.5, M12×1.75×12depth	13	-
100	3	30	90	-	Rc3/8 (※3)	27	45	9	4	M18×2.5×20depth	122	18.5×13depth, 12.3, M14×2×15depth	15	-

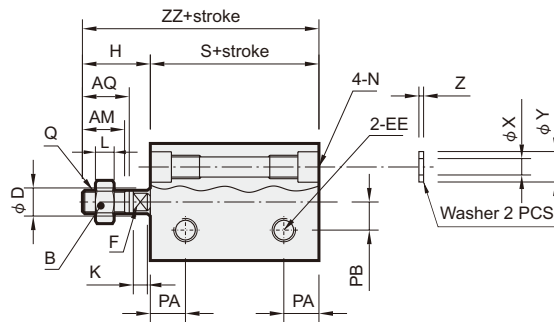
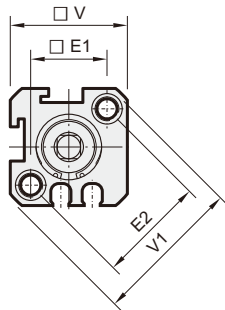
※1. Without magnet with stroke=5mm, EE=M5×0.8

※3. Without magnet with stroke=5mm, EE=Rc1/4

※2. Without magnet with stroke=5mm, EE=Rc1/8

Code Tube I.D.	T	V	V1	X	Y	Z	Without magnet		Magnet	
							S	ZZ	S	ZZ
12	-	25	32	3.2	6.3	1	20.5	25	25.5	30
16	-	29	38	3.2	6.3	1	20.5	25	30.5	35
20	-	34	-	3.2	6.3	1	19.5	25	29.5	35
25	-	40	-	4.2	7.8	1	21	27	31	37
32	14	44	-	4.2	7.8	1	24	31	34	41
40	14	52	-	6.2	10.3	1.6	26.5	33.5	36.5	43.5
50	19	62	-	6.2	10.8	1.6	28.6	37.6	38.6	47.6
63	20	75	-	6.2	10.8	1.6	32.5	41.5	42.5	51.5
80	27	94	-	8.2	13.8	1.6	41	52	51	62
100	26	114	-	10.2	17.3	2	45	54	55	64

$\phi 12, \phi 16$



$\phi 12, \phi 16$ Long stroke
(Without counter bore)

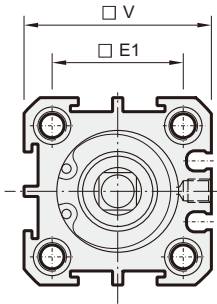


$\phi 20\sim\phi 100$ Long stroke
(Without counter bore)

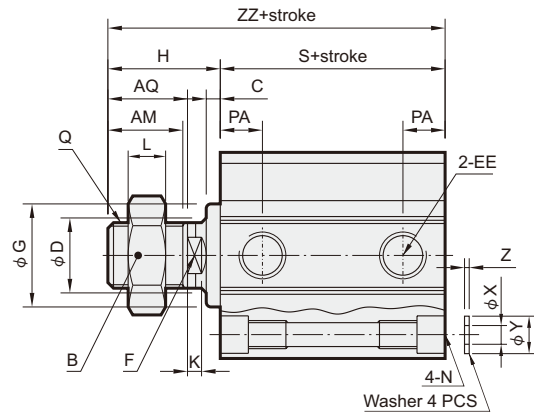
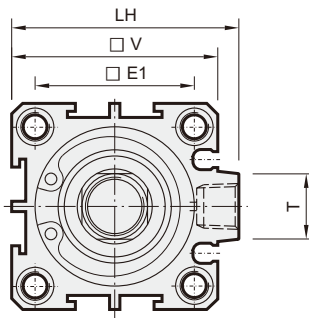


※ With magnet type: the stroke length must be over 100mm.

$\phi 20, \phi 25$



$\phi 32\sim\phi 100$



Code Tube I.D.	AM	AQ	B	C	D	E1	E2	EE	F	G	H	K	L	LH	N	PA	PB
12	9	10	8	-	6	16.3	23	M5×0.8	5	-	14.5	3	4	-	6.5×4.5depth, 4.3, M5×0.8×6depth	7.5	5.5
16	9	10	10	-	8	19.8	28	M5×0.8	6	-	14.5	3	5	-	6.5×4.5depth, 4.3, M5×0.8×6depth	8	6.5
20	13	14	13	1.5	10	24	-	M5×0.8	8	13	19.5	3	5	-	6.5×4.5depth, 4.3, M5×0.8×7.5depth	7.5	-
25	15	16	17	2	12	28	-	M5×0.8	10	17	22	3	6	-	9×7depth, 5.1, M6×1.0×10depth	8	-
32	16	17	22	3.3	16	34	-	Rc1/8 (※1)	14	22	24	3	8	48.5	9×7depth, 5.1, M6×1.0×10depth	9	-
40	25	27	22	3.3	16	40	-	Rc1/8 (※1)	14	28	34	3	8	56.5	10.5×8depth, 6.9, M8×1.25×10depth	10	-
50	25	27	26	4	20	48	-	Rc1/4 (※2)	17	38	36	3	11	70	11×8.5depth, 6.9, M8×1.25×16.5depth	10.5	-
63	25	27	26	4	20	60	-	Rc1/4 (※2)	17	40	36	3	11	83	11×8.5depth, 6.9, M8×1.25×10depth	11	-
80	30	33	32	5	25	74	-	Rc3/8 (※3)	22	45	44	4	13	102	14×10.5depth, 10.5, M12×1.75×12depth	13	-
100	30	33	35	3	30	90	-	Rc3/8 (※3)	27	45	42	4	14	122	18.5×13depth, 12.3, M14×2×15depth	15	-

※1. Without magnet with stroke=5mm, EE=M5×0.8

※3. Without magnet with stroke=5mm, EE=Rc1/4

※2. Without magnet with stroke=5mm, EE=Rc1/8

Code Tube I.D.	Q	T	V	V1	X	Y	Z	Without magnet		Magnet	
								S	ZZ	S	ZZ
12	M5×0.8	-	25	32	3.2	6.3	1	20.5	35	25.5	40
16	M6×1	-	29	38	3.2	6.3	1	20.5	35	30.5	45
20	M8×1	-	34	-	3.2	6.3	1	19.5	39	29.5	49
25	M10×1.25	-	40	-	4.2	7.8	1	21	43	31	53
32	M14×1.5	14	44	-	4.2	7.8	1	24	48	34	58
40	M14×1.5	14	52	-	6.2	10.3	1.6	26.5	60.5	36.5	70.5
50	M18×1.5	19	62	-	6.2	10.8	1.6	28.6	64.6	38.6	74.6
63	M18×1.5	20	75	-	6.2	10.8	1.6	32.5	68.5	42.5	78.5
80	M22×1.5	27	94	-	8.2	13.8	1.6	41	85	51	95
100	M26×1.5	26	114	-	10.2	17.3	2	45	87	55	97

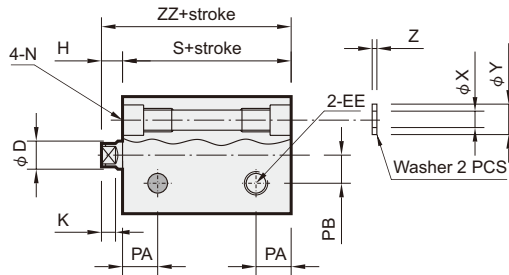
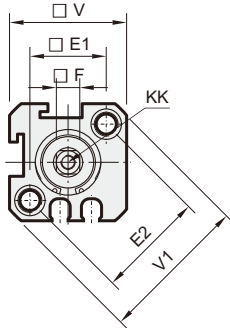
MCJT Normally returned $\phi 12\sim\phi 50$

COMPACT CYLINDER



Mindman

$\phi 12, \phi 16$



$\phi 12, \phi 16$ Long stroke
(Without counter bore)

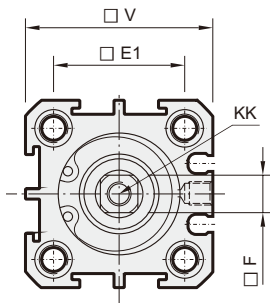


$\phi 20\sim\phi 50$ Long stroke
(Without counter bore)

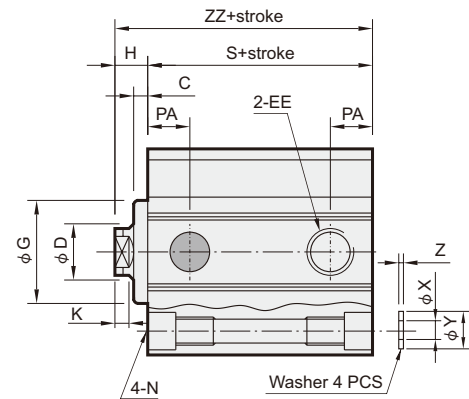
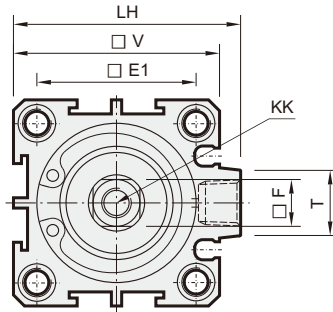


※ With magnet type: the stroke length must be over 100mm.

$\phi 20, \phi 25$



$\phi 32\sim\phi 50$



Code Tube I.D.	C	D	E1	E2	EE	F	G	H	K	KK	LH	N	PA	PB
12	-	6	16.3	23	M5×0.8	5	-	4.5	3	M3×0.5×7depth	-	6.5×4.5depth, 4.3, M5×0.8×6depth	7.5	5.5
16	-	8	19.8	28	M5×0.8	6	-	4.5	3	M4×0.7×7depth	-	6.5×4.5depth, 4.3, M5×0.8×6depth	8	6.5
20	1.5	10	24	-	M5×0.8	8	13	5.5	3	M5×0.8×10depth	-	6.5×4.5depth, 4.3, M5×0.8×7.5depth	7.5	-
25	2	12	28	-	M5×0.8	10	17	6	3	M6×1×10depth	-	9×7depth, 5.1, M6×1.0×10depth	8	-
32	3.3	16	34	-	Rc1/8 (※1)	14	22	7	3	M8×1.25×12depth	48.5	9×7depth, 5.1, M6×1.0×10depth	9	-
40	3.3	16	40	-	Rc1/8 (※1)	14	28	7	3	M8×1.25×12depth	56.5	10.5×8depth, 6.9, M8×1.25×10depth	10	-
50	4	20	48	-	Rc1/4 (※2)	17	38	9	3	M10×1.5×15depth	70	11×8.5depth, 6.9, M8×1.25×16.5depth	10.5	-

※1. Without magnet with stroke=5mm, EE=M5×0.8

※2. Without magnet with stroke=5mm, EE=Rc1/8

Code Tube I.D.	T	V	V1	X	Y	Z	Without magnet		Magnet	
							S	ZZ	S	ZZ
12	-	25	32	3.2	6.3	1	20.5	25	25.5	30
16	-	29	38	3.2	6.3	1	20.5	25	30.5	35
20	-	34	-	3.2	6.3	1	19.5	25	29.5	35
25	-	40	-	4.2	7.8	1	21	27	31	37
32	14	44	-	4.2	7.8	1	24	31	34	41
40	14	52	-	6.2	10.3	1.6	26.5	33.5	36.5	43.5
50	19	62	-	6.2	10.8	1.6	28.6	37.6	38.6	47.6

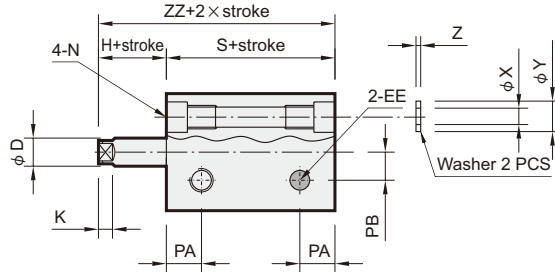
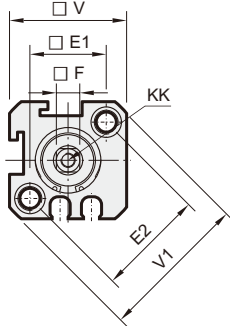
Single acting - Table for standard stroke

Tube I.D.	Stroke (mm)
$\phi 12, 16, 20, 25, 32, 40$	5, 10
$\phi 50$	10, 20

Single acting type

Please reconfirm the dimension with our sales department when the stroke over our standard.

$\phi 12, \phi 16$



$\phi 12, \phi 16$ Long stroke
(Without counter bore)

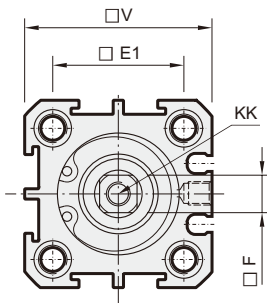


$\phi 20\sim\phi 50$ Long stroke
(Without counter bore)

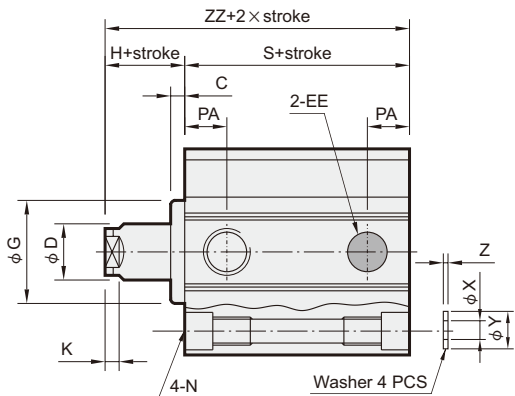
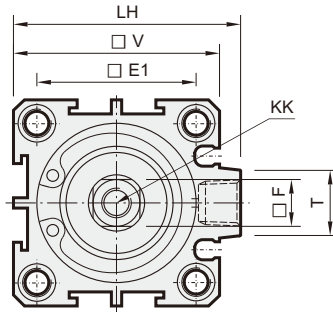


※ With magnet type: the stroke length must be over 100mm.

$\phi 20, \phi 25$



$\phi 32\sim\phi 50$



Code Tube I.D.	C	D	E1	E2	EE	F	G	H	K	KK	LH	N	PA	PB
12	-	6	16.3	23	M5×0.8	5	-	4.5	3	M3×0.5×7depth	-	6.5×4.5depth, 4.3, M5×0.8×6depth	7.5	5.5
16	-	8	19.8	28	M5×0.8	6	-	4.5	3	M4×0.7×7depth	-	6.5×4.5depth, 4.3, M5×0.8×6depth	8	6.5
20	1.5	10	24	-	M5×0.8	8	13	5.5	3	M5×0.8×10depth	-	6.5×4.5depth, 4.3, M5×0.8×7.5depth	7.5	-
25	2	12	28	-	M5×0.8	10	17	6	3	M6×1×10depth	-	9×7depth, 5.1, M6×1.0×10depth	8	-
32	3.3	16	34	-	Rc1/8(※1)	14	22	7	3	M8×1.25×12depth	48.5	9×7depth, 5.1, M6×1.0×10depth	9	-
40	3.3	16	40	-	Rc1/8(※1)	14	28	7	3	M8×1.25×12depth	56.5	10.5×8depth, 6.9, M8×1.25×10depth	10	-
50	4	20	48	-	Rc1/4(※2)	17	38	9	3	M10×1.5×15depth	70	11×8.5depth, 6.9, M8×1.25×16.5depth	10.5	-

※1. Without magnet with stroke=5mm, EE=M5×0.8

※2. Without magnet with stroke=5mm, EE=Rc1/8

Code Tube I.D.	T	V	V1	X	Y	Z	Without magnet		Magnet	
							S	ZZ	S	ZZ
12	-	25	32	3.2	6.3	1	20.5	25	25.5	30
16	-	29	38	3.2	6.3	1	20.5	25	30.5	35
20	-	34	-	3.2	6.3	1	19.5	25	29.5	35
25	-	40	-	4.2	7.8	1	21	27	31	37
32	14	44	-	4.2	7.8	1	24	31	34	41
40	14	52	-	6.2	10.3	1.6	26.5	33.5	36.5	43.5
50	19	62	-	6.2	10.8	1.6	28.6	37.6	38.6	47.6

Single acting - Table for standard stroke

Tube I.D.	Stroke (mm)
$\phi 12, 16, 20, 25, 32, 40$	5, 10
$\phi 50$	10, 20

Single acting type

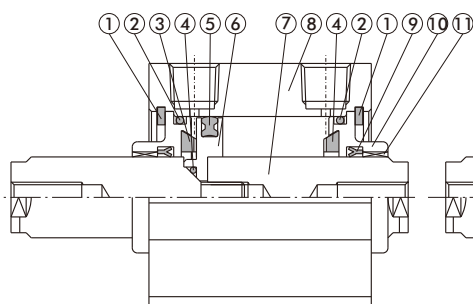
Please reconfirm the dimension with our sales department when the stroke over our standard.

MCJT Double end rod Inside structure & Parts list

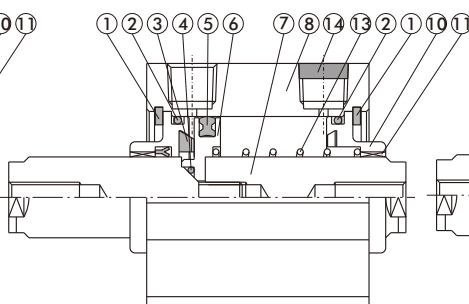
COMPACT CYLINDER



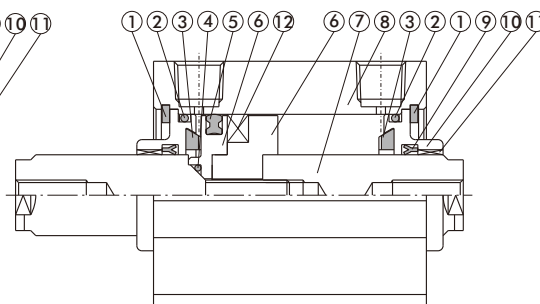
Double acting Double end rod type



Single acting Double end rod type



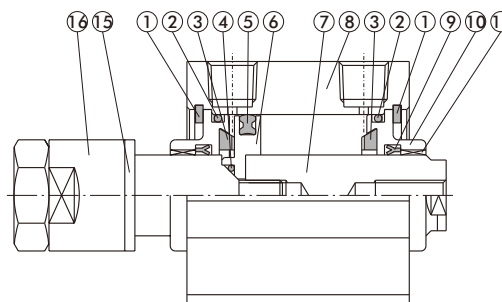
Double acting Double end rod type(with magnet)



Seal kit

Acting type	Rod packing		Piston packing		Cover ring	Piston gasket
	Double action normally extended	Normally returned	Double action	Single action	Double action single action	Double action single action
QTY.	2	1	1	1	2	1
12	KSYR-6	KSYR-6	OPA-12	OPA-12	S-12	d4 × w1
16	KSYR-8	KSYR-8	OPA-16	OPA-16	S-14	d6 × w1
20	KSYR-10	KSYR-10	OPA-20	OPA-20	S-18	d6 × w1
25	KSYR-12	KSYR-12	OPA-25	OPA-25	S-22	S-9
32	KSYR-16	KSYR-16	OPA-32	OPA-32	d28 × w2	d11 × w1
40	KSYR-16	KSYR-16	OPA-40	OPA-40	S-36	d11 × w1
50	KSYR-20	KSYR-20	OPA-50	OPA-50	AS-31	S-14
63	KSYR-20	—	OPA-63	—	AS-35	S-14
80	ORA-25	—	OPA-80	—	AS-41	S-18
100	SDR-30	—	OPA-100	—	S-95	S-24

Double acting/double end rod type Adjustable stroke



Order example Component parts

Tube I.D.	Component parts
φ 12	CP-MCJT-12(M)
φ 16	CP-MCJT-16(M)
φ 20	CP-MCJT-20(M)
φ 25	CP-MCJT-25(M)
φ 32	CP-MCJT-32(M)
φ 40	CP-MCJT-40(M)
φ 50	CP-MCJT-50(M)
φ 63	CP-MCJT-63(M)
φ 80	CP-MCJT-80(M)
φ 100	CP-MCJT-100(M)

M: With magnet

Repair kits

Tube I.D.	Repair kits
φ 12	PS-MCJT-12
φ 16	PS-MCJT-16
φ 20	PS-MCJT-20
φ 25	PS-MCJT-25
φ 32	PS-MCJT-32
φ 40	PS-MCJT-40
φ 50	PS-MCJT-50
φ 63	PS-MCJT-63
φ 80	PS-MCJT-80
φ 100	PS-MCJT-100

Material

No.	Part name	Tube I.D.									Q'y	Component parts (inclusion)	Repair kits (inclusion)	
		12	16	20	25	32	40	50	63	80				100
1	Snap ring	Stainless steel			Spring steel						2	●		
2	Cover ring	NBR										2	●	●
3	Cushion packing	—	NBR									2	●	●
4	Piston gasket	NBR										1	●	●
5	Piston packing	NBR										1	●	●
6	Piston	Aluminum alloy										1	●	
7	Piston rod	Stainless steel			Carbon steel						2			
8	Body	Aluminum alloy										1		
9	Rod packing	NBR										2	●	●
10	Rod cover	Aluminum alloy										2	●	
11	Bush	—	Bearing alloy									2	●	
12	Magnet	Plastic										1	●	
13	Spring	SWP			—						1	●		
14	Silencer	Brass			—						1	●		
15	Cushion packing	PU										2	●	
16	Adjustable nut	Carbon steel										1	●	

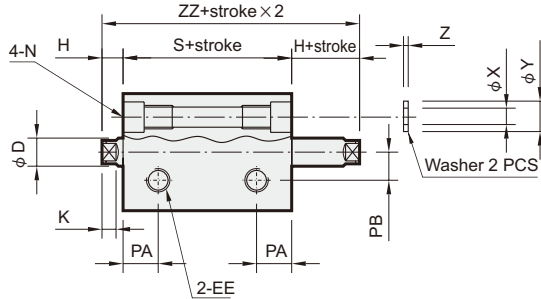
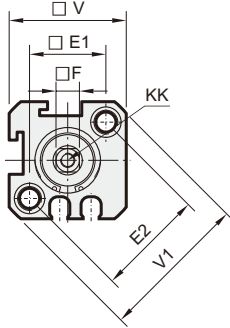
MCJT Double end rod / Female thread $\phi 12 \sim \phi 100$

COMPACT CYLINDER



Mindman

$\phi 12, \phi 16$



$\phi 12, \phi 16$ Long stroke
(Without counter bore)

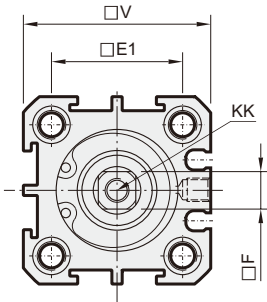


$\phi 20 \sim \phi 100$ Long stroke
(Without counter bore)

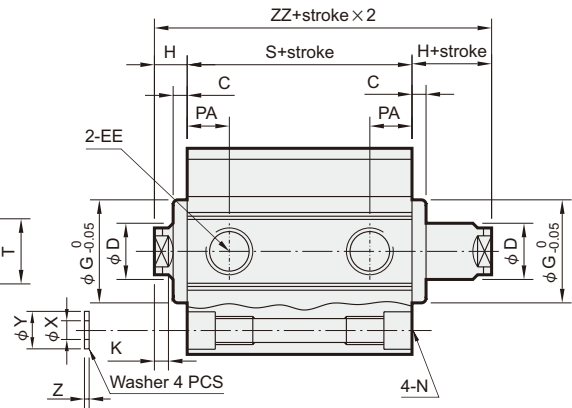
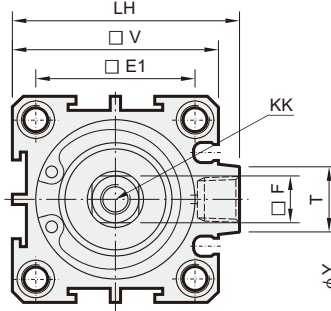


※ With magnet type: the stroke length must be over 100mm.

$\phi 20, \phi 25$



$\phi 32 \sim \phi 100$



Code Tube I.D.	C	D	E1	E2	EE	F	G	H	K	KK	LH	N	PA	PB
12	-	6	16.3	23	M5×0.8	5	-	4.5	3	M3×0.5×7depth	-	6.5×4.5depth, 4.3, M5×0.8×6depth	7.5	5.5
16	-	8	19.8	28	M5×0.8	6	-	4.5	3	M4×0.7×7depth	-	6.5×4.5depth, 4.3, M5×0.8×6depth	8	6.5
20	1.5	10	24	-	M5×0.8	8	13	5.5	3	M5×0.8×10depth	-	6.5×4.5depth, 4.3, M5×0.8×7.5depth	7.5	-
25	2	12	28	-	M5×0.8	10	17	6	3	M6×1×10depth	-	9×7depth, 5.1, M6×1.0×10depth	8	-
32	3.3	16	34	-	Rc1/8 (※1)	14	22	7	3	M8×1.25×12depth	48.5	9×7depth, 5.1, M6×1.0×10depth	9	-
40	3.3	16	40	-	Rc1/8 (※1)	14	28	7	3	M8×1.25×12depth	56.5	10.5×8depth, 6.9, M8×1.25×10depth	10	-
50	4	20	48	-	Rc1/4 (※2)	17	38	9	3	M10×1.5×15depth	70	11×8.5depth, 6.9, M8×1.25×16.5depth	10.5	-
63	4	20	60	-	Rc1/4 (※2)	17	40	9	3	M10×1.5×15depth	83	11×8.5depth, 6.9, M8×1.25×10depth	11	-
80	5	25	74	-	Rc3/8 (※3)	22	45	11	4	M14×2×20depth	102	14×10.5depth, 10.5, M12×1.75×12depth	13	-
100	3	30	90	-	Rc3/8 (※3)	27	45	9	4	M18×2.5×20depth	122	18.5×13depth, 12.3, M14×2×15depth	15	-

※1. Without magnet with stroke=5mm, EE=M5×0.8

※3. Without magnet with stroke=5mm, EE=Rc1/4

※2. Without magnet with stroke=5mm, EE=Rc1/8

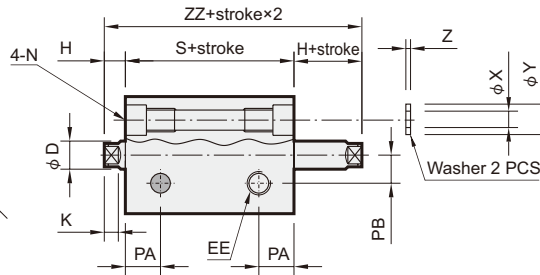
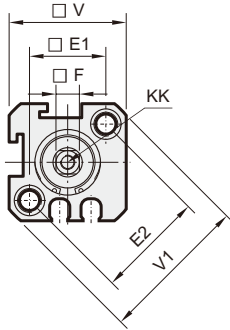
Code Tube I.D.	T	V	V1	X	Y	Z	Without magnet		Magnet	
							S	ZZ	S	ZZ
12	-	25	32	3.2	6.3	1	20.5	29.5	25.5	34.5
16	-	29	38	3.2	6.3	1	20.5	29.5	30.5	39.5
20	-	34	-	3.2	6.3	1	19.5	30.5	29.5	40.5
25	-	40	-	4.2	7.8	1	21	33	31	43
32	14	44	-	4.2	7.8	1	24	38	34	48
40	14	52	-	6.2	10.3	1.6	26.5	40.5	36.5	50.5
50	19	62	-	6.2	10.8	1.6	28.6	46.6	38.6	56.6
63	20	75	-	6.2	10.8	1.6	32.5	50.5	42.5	60.5
80	27	94	-	8.2	13.8	1.6	41	63	51	73
100	26	114	-	10.2	17.3	2	45	63	55	73

MCJT Double end rod / Single acting $\phi 12\sim\phi 50$

COMPACT CYLINDER



$\phi 12, \phi 16$



$\phi 12, \phi 16$ Long stroke
(Without counter bore)

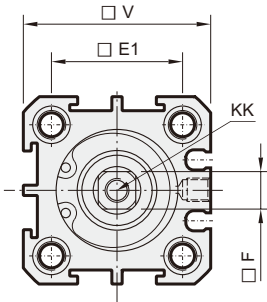


$\phi 20\sim\phi 50$ Long stroke
(Without counter bore)

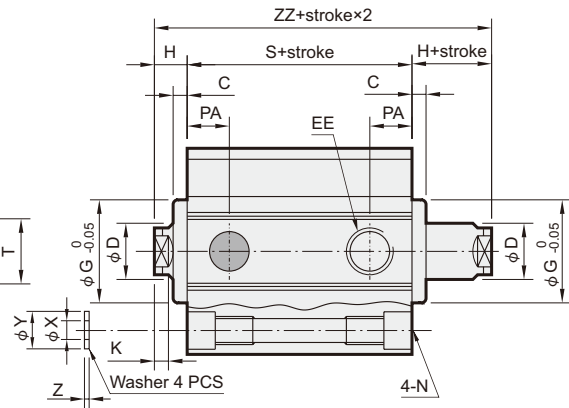
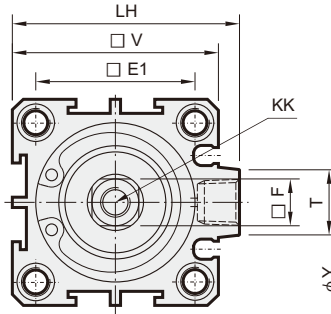


※ With magnet type: the stroke length must be over 100mm.

$\phi 20, \phi 25$



$\phi 32\sim\phi 50$



Code Tube I.D.	C	D	E1	E2	EE	F	G	H	K	KK	LH	N	PA	PB
12	-	6	16.3	23	M5×0.8	5	-	4.5	3	M3×0.5×7depth	-	6.5×4.5depth, 4.3, M5×0.8×6depth	7.5	5.5
16	-	8	19.8	28	M5×0.8	6	-	4.5	3	M4×0.7×7depth	-	6.5×4.5depth, 4.3, M5×0.8×6depth	8	6.5
20	1.5	10	24	-	M5×0.8	8	13	5.5	3	M5×0.8×10depth	-	6.5×4.5depth, 4.3, M5×0.8×7.5depth	7.5	-
25	2	12	28	-	M5×0.8	10	17	6	3	M6×1×10depth	-	9×7depth, 5.1, M6×1.0×10depth	8	-
32	3.3	16	34	-	Rc1/8(※1)	14	22	7	3	M8×1.25×12depth	48.5	9×7depth, 5.1, M6×1.0×10depth	9	-
40	3.3	16	40	-	Rc1/8(※1)	14	28	7	3	M8×1.25×12depth	56.5	10.5×8depth, 6.9, M8×1.25×10depth	10	-
50	4	20	48	-	Rc1/4(※2)	17	38	9	3	M10×1.5×15depth	70	11×8.5depth, 6.9, M8×1.25×16.5depth	10.5	-

※1. Without magnet with stroke=5mm, EE=M5×0.8

※2. Without magnet with stroke=5mm, EE=Rc1/8

Code Tube I.D.	T	V	V1	X	Y	Z	Without magnet		Magnet	
							S	ZZ	S	ZZ
12	-	25	32	3.2	6.3	1	20.5	29.5	25.5	34.5
16	-	29	38	3.2	6.3	1	20.5	29.5	30.5	39.5
20	-	34	-	3.2	6.3	1	19.5	30.5	29.5	40.5
25	-	40	-	4.2	7.8	1	21	33	31	43
32	14	44	-	4.2	7.8	1	24	38	34	48
40	14	52	-	6.2	10.3	1.6	26.5	40.5	36.5	50.5
50	19	62	-	6.2	10.8	1.6	28.6	46.6	38.6	56.6

Single acting - Table for standard stroke

Tube I.D.	Stroke (mm)
$\phi 12, 16, 20, 25, 32, 40$	5, 10
$\phi 50$	10, 20

Single acting type

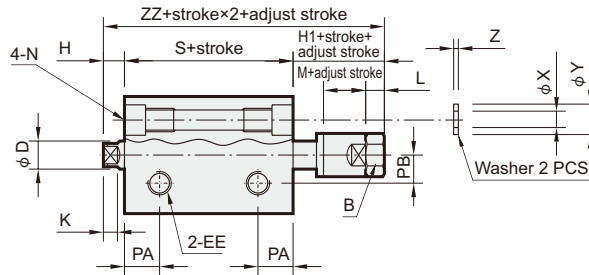
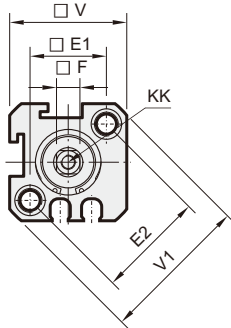
Please reconfirm the dimension with our sales department when the stroke over our standard.

MCJT Double end rod / Adjustable stroke $\phi 12\sim\phi 100$

COMPACT CYLINDER



$\phi 12, \phi 16$



$\phi 12, \phi 16$ Long stroke
(Without counter bore)

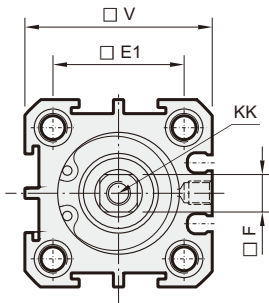


$\phi 20\sim\phi 100$ Long stroke
(Without counter bore)

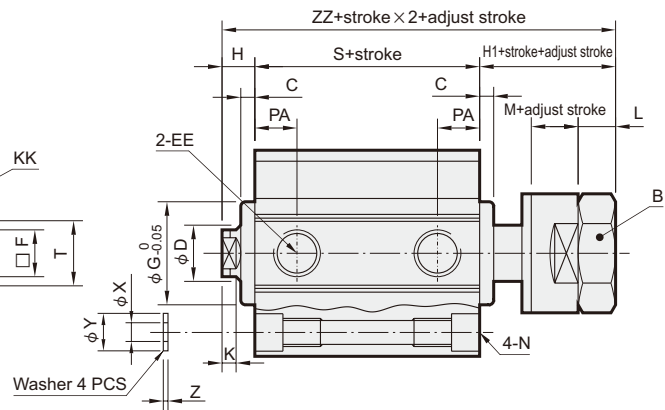
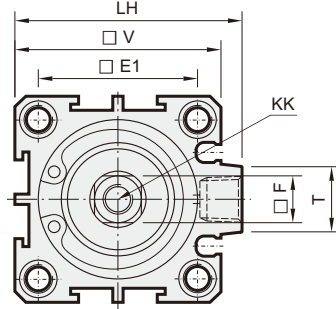


※ With magnet type: the stroke length must be over 100mm.

$\phi 20, \phi 25$



$\phi 32\sim\phi 100$



Code Tube I.D.	B	C	D	E1	E2	EE	F	G	H	H1	K	KK	L	LH	M	N
12	8	-	6	16.3	23	M5×0.8	5	-	4.5	19.5	3	M3×0.5×7depth	4	-	13	6.5×4.5depth, 4.3, M5×0.8×6depth
16	13	-	8	19.8	28	M5×0.8	6	-	4.5	22.5	3	M4×0.7×7depth	5	-	15	6.5×4.5depth, 4.3, M5×0.8×6depth
20	13	1.5	10	24	-	M5×0.8	8	13	5.5	25.5	3	M5×0.8×10depth	5	-	15	6.5×4.5depth, 4.3, M5×0.8×7.5depth
25	17	2	12	28	-	M5×0.8	10	17	6	26	3	M6×1×10depth	6	-	12	9×7depth, 5.1, M6×1.0×10depth
32	19	3.3	16	34	-	Rc1/8 (※1)	14	22	7	28	3	M8×1.25×12depth	7	48.5	12	9×7depth, 5.1, M6×1.0×10depth
40	19	3.3	16	40	-	Rc1/8 (※1)	14	28	7	28.3	3	M8×1.25×12depth	7	56.5	12	10.5×8depth, 6.9, M8×1.25×10depth
50	24	4	20	48	-	Rc1/4 (※2)	17	38	9	31	3	M10×1.5×15depth	8	70	15	11×8.5depth, 6.9, M8×1.25×16.5depth
63	24	4	20	60	-	Rc1/4 (※2)	17	40	9	31	3	M10×1.5×15depth	8	83	15	11×8.5depth, 6.9, M8×1.25×10depth
80	32	5	25	74	-	Rc3/8 (※3)	22	45	11	44	4	M14×2×20depth	13	102	20	14×10.5depth, 10.5, M12×1.75×12depth
100	32	3	30	90	-	Rc3/8 (※3)	27	45	9	44	4	M18×2.5×20depth	13	122	20	18.5×13depth, 12.3, M14×2×15depth

※1. Without magnet with stroke=5mm, EE=M5×0.8

※3. Without magnet with stroke=5mm, EE=Rc1/4

※2. Without magnet with stroke=5mm, EE=Rc1/8

Code Tube I.D.	PA	PB	T	V	X	Y	Z	Without magnet		Magnet	
								S	ZZ	S	ZZ
12	7.5	5.5	-	25	3.2	6.3	1	20.5	44.5	25.5	49.5
16	8	6.5	-	29	3.2	6.3	1	20.5	47.5	30.5	57.5
20	7.5	-	-	34	3.2	6.3	1	19.5	50.5	29.5	60.5
25	8	-	-	40	4.2	7.8	1	21	53	31	63
32	9	-	14	44	4.2	7.8	1	24	59	34	69
40	10	-	14	52	6.2	10.3	1.6	26.5	61.8	36.5	71.8
50	10.5	-	19	62	6.2	10.8	1.6	28.6	58.6	38.6	78.6
63	11	-	20	75	6.2	10.8	1.6	32.5	72.5	42.5	82.5
80	13	-	27	94	8.2	13.8	1.6	41	96	51	106
100	15	-	26	114	10.2	17.3	2	45	98	55	108

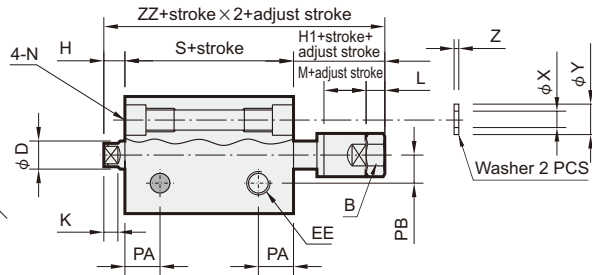
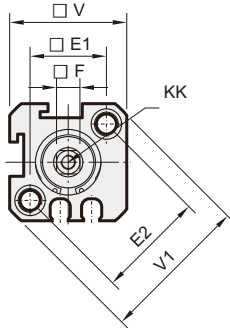
MCJT Double end rod / Single action / Adjustable stroke $\phi 12\sim\phi 50$



COMPACT CYLINDER

Mindman

$\phi 12, \phi 16$



$\phi 12, \phi 16$ Long stroke
(Without counter bore)

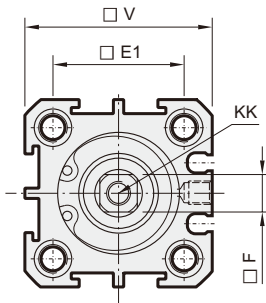


$\phi 20\sim\phi 50$ Long stroke
(Without counter bore)

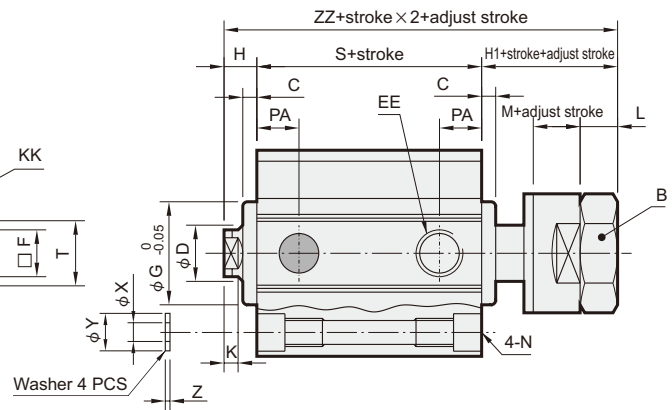
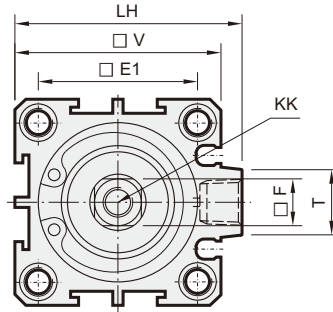


※ With magnet type: the stroke length must be over 100mm.

$\phi 20, \phi 25$



$\phi 32\sim\phi 50$



Code Tube I.D.	B	C	D	E1	E2	EE	F	G	H	H1	K	KK	L	LH	M	N
12	8	-	6	16.3	23	M5×0.8	5	-	4.5	19.5	3	M3×0.5×7depth	4	-	13	6.5×4.5depth, 4.3, M5×0.8×6depth
16	13	-	8	19.8	28	M5×0.8	6	-	4.5	22.5	3	M4×0.7×7depth	5	-	15	6.5×4.5depth, 4.3, M5×0.8×6depth
20	13	1.5	10	24	-	M5×0.8	8	13	5.5	25.5	3	M5×0.8×10depth	5	-	15	6.5×4.5depth, 4.3, M5×0.8×7.5depth
25	17	2	12	28	-	M5×0.8	10	17	6	26	3	M6×1×10depth	6	-	12	9×7depth, 5.1, M6×1.0×10depth
32	19	3.3	16	34	-	Rc1/8 (※1)	14	22	7	28	3	M8×1.25×12depth	7	48.5	12	9×7depth, 5.1, M6×1.0×10depth
40	19	3.3	16	40	-	Rc1/8 (※1)	14	28	7	28.3	3	M8×1.25×12depth	7	56.5	12	10.5×8depth, 6.9, M8×1.25×10depth
50	24	4	20	48	-	Rc1/4 (※2)	17	38	9	31	3	M10×1.5×15depth	8	70	15	11×8.5depth, 6.9, M8×1.25×16.5depth

※1. Without magnet with stroke=5mm, EE=M5×0.8

※2. Without magnet with stroke=5mm, EE=Rc1/8

Code Tube I.D.	PA	PB	T	V	X	Y	Z	Without magnet		Magnet	
								S	ZZ	S	ZZ
12	7.5	5.5	-	25	3.2	6.3	1	20.5	44.5	25.5	49.5
16	8	6.5	-	29	3.2	6.3	1	20.5	47.5	30.5	57.5
20	7.5	-	-	34	3.2	6.3	1	19.5	50.5	29.5	60.5
25	8	-	-	40	4.2	7.8	1	21	53	31	63
32	9	-	14	44	4.2	7.8	1	24	59	34	69
40	10	-	14	52	6.2	10.3	1.6	26.5	61.8	36.5	71.8
50	10.5	-	19	62	6.2	10.8	1.6	28.6	58.6	38.6	78.6

Single acting - Table for standard stroke

Tube I.D.	Stroke (mm)
$\phi 12, 16, 20, 25, 32, 40$	5, 10
$\phi 50$	10, 20

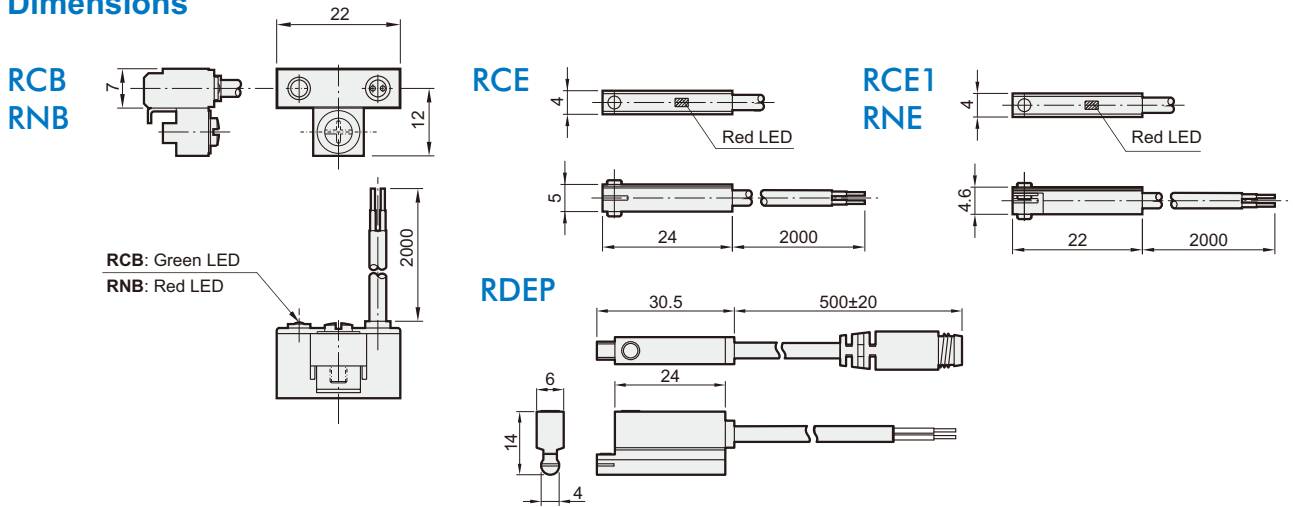
Single acting type

Please reconfirm the dimension with our sales department when the stroke over our standard.

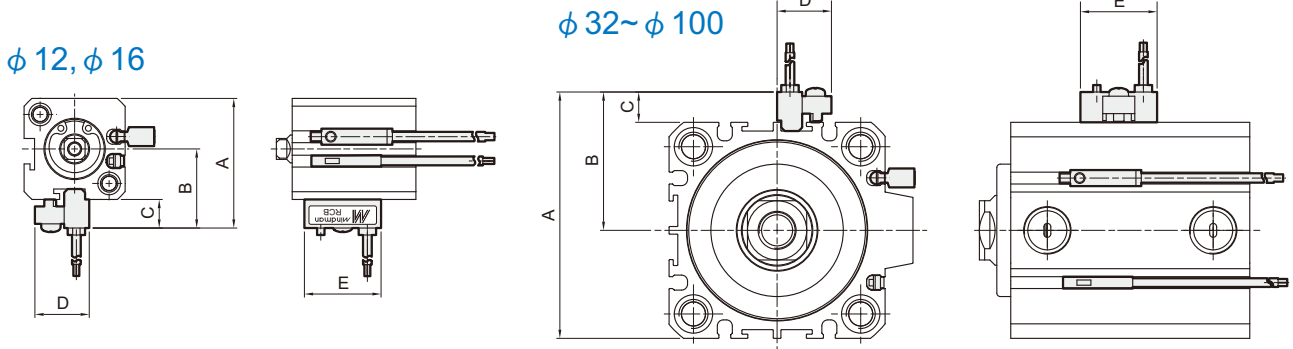
MCJT Installation of sensor switch $\phi 12 \sim \phi 100$

COMPACT CYLINDER

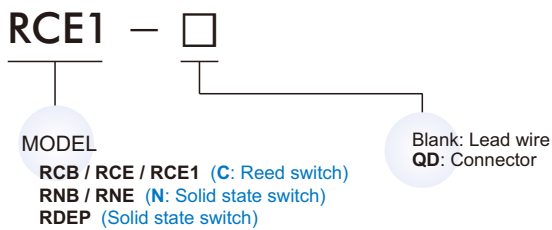
Dimensions



Installation of sensor switch



Order example



Code Tube I.D.	A	B	C	D	E
12	33.5	21.5	8.5	16	22
16	37.5	23	8.5	16	22
20	42.5	25.5	8.5	16	22
25	49	29	9	16	22
32	53	31	9	16	22

Code Tube I.D.	A	B	C	D	E
40	61	35	9	16	22
50	71	40	9	16	22
63	84	46.5	9	16	22
80	103	56	9	16	22
100	123	66	9	16	22

Description

- ▽ RCB switch
- ▽ RCE, RCE1, RDEP switch

