



Features

- Ultra Compact, light weight and space saving cylinder.
- Single and double acting available.
- Ideal for use in machinery where space is limited and incorporating sensor groove which enables flush fitting of sensors.
- Magnetic as standard.

Specification

Model	MCJQ2	
Acting type	Double acting	
Tube I.D.(mm)	12, 16	20, 25
Port size	M5×0.8	
Medium	Air	
Operating pressure range	0.07~1 MPa	0.05~1 MPa
Proof pressure	1.5 MPa	
Ambient temperature	-5°C~+60°C (No freezing)	
Available speed range	50~500 mm/sec	
Sensor switch (※)	RCB	

※ RCB specification, please refer to page 8-8.

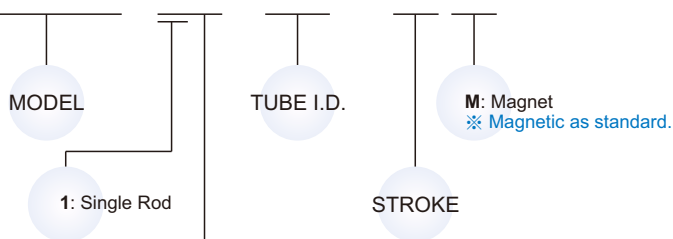
Double acting-Table for standard stroke

Tube I.D.	Stroke (mm)
φ 12,16	5,10,15,20,25,30
φ 20,25	5,10,15,20,25,30,35,40,45,50

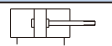
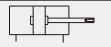
- Stroke out of specification is also available.
- Please consult us if stroke out of specification.

Order example

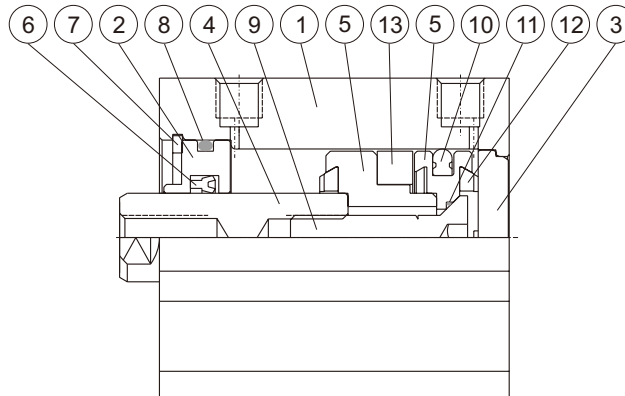
MCJQ2 – 12 – 20 – 25 M



STYLE

Code	Symbol	Description
1 1		Double acting / Male thread
1 2		Double acting / Female thread

**Double acting
(with magnet)**

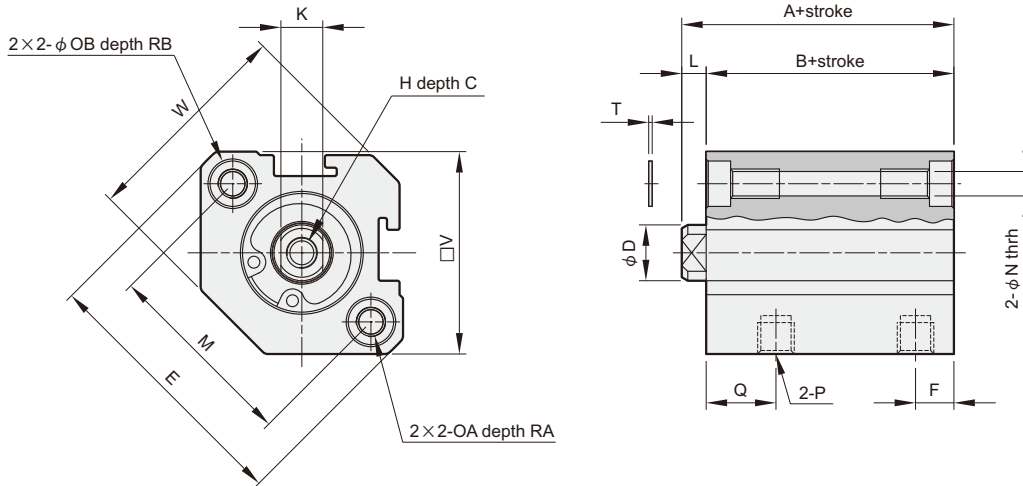


Material

No.	Part name	Tube I.D.	12~25	Note
1	Body		Aluminum alloy	Hard anodized
2	Rod cover		Aluminum bearing alloy	Anodized
3	End cover		Aluminum alloy	Anodized
4	Piston rod		Stainless steel	
5	Piston		Aluminum alloy	Anodized
6	Rod packing		NBR	
7	Snap ring		Stainless steel	
8	Cover ring		NBR	
9	Piston bolt		Stainless steel	
10	Piston packing		NBR	
11	Piston gasket		NBR	
12	Cushion packing		NBR	
13	Magnet		Plastic	

Seal kit

	Rod packing	Piston packing	Cover ring	Piston gasket
Acting type	Double action			
Qty.	1	1	2	1
12	KSYR-6	OPA-12	S-12	d4 × w1
16	KSYR-8	OPA-16	S-14	d4 × w1
20	KSYR-10A	OPA-20	S-18	d6 × w1
25	KSYR-12	OPA-25	S-22.4	d8 × w1

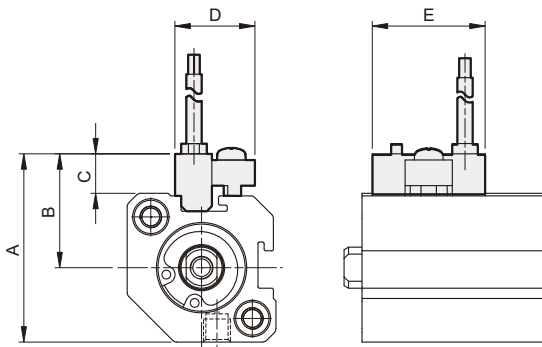


MCJQ2-11 male thread size

Code Tube I.D.	C1	H1	L1	X
12	9	M5×0.8	14	10.5
16	10	M6×1.0	15.5	12
20	12	M8×1.25	18.5	14
25	15	M10×1.25	22.5	17.5

Code Tube I.D.	Stroke range	A	B	C	D	E	F	H	K	L	M	N	OA	RA	OB	RB	T	P	Q	V	W
12	5~30	31.5	28	6	6	32	6.5	M3×0.5	5	3.5	22	3.5	M4×0.7	7	6.5	3.5	0.5	M5×0.8	11	25	28
16	5~30	34	30.5	8	8	38	5.5	M4×0.7	6	3.5	28	3.5	M4×0.7	7	6.5	3.5	0.5	M5×0.8	10	29	31
20	5~50	36	31.5	10	10	47	5.5	M5×0.8	8	4.5	36	5.5	M6×1.0	10	9	7	1	M5×0.8	10.5	36	30
25	5~50	37.5	32.5	12	12	52	5.5	M6×1.0	10	5	40	5.5	M6×1.0	10	9	7	1	M5×0.8	11	40	35

Installation of sensor switch



Order example

RCB —

MODEL
 RCB (C: Reed switch)
 RNB (N: Solid state switch)

Blank: Lead wire
 QD: Connector

Code Tube I.D.	A	B	C	D	E
12	33	20.5	8	16	22
16	37	22.5	8	16	22
20	42.5	24	5.5	16	22
25	46	26	6	16	22