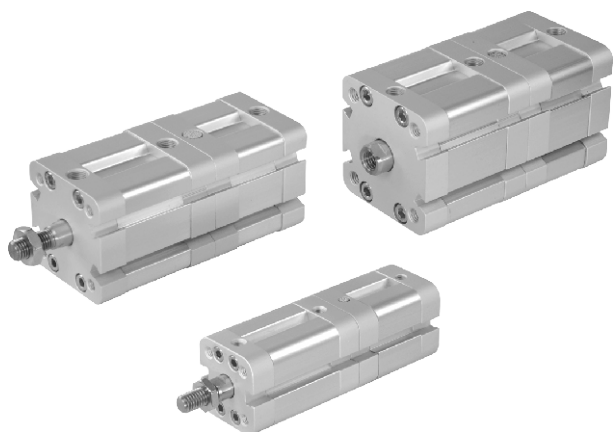


MCJI Multiple position COMPACT CYLINDER



Specification

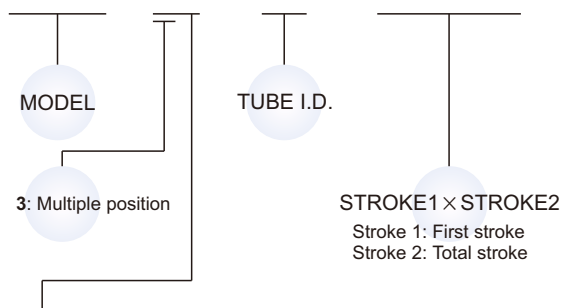
Model	MCJI-3*	
Acting type	Double acting	
Tube I.D.(mm)	20, 25	32, 40, 50, 63, 80, 100
Port size	M5 × 0.8	G1/8
Medium	Air	
Operating pressure range	0.05~1 MPa	
Proof pressure	1.5 MPa	
Cushion	Rubber bumper	
Lubricator	Without lubrication	
Stroke length tolerance (※1)	+0~+1.0 mm	
Ambient temperature	-5°C~+60°C (No freezing)	
Available speed range	50~500 mm/sec	
Sensor switch (※2)	RCI	

※1. Stroke length tolerance does not include the amount of bumper change.

※2. RCI specification, please refer to page 8-11.

Order example

MCJI - 32 - 40 - 20 × 25



STYLE

Code	Symbol	Description
3 1		Double acting / Male thread
3 2		Double acting / Female thread

※ Order example for special specification, refer to page 0-7.

Table for standard stroke

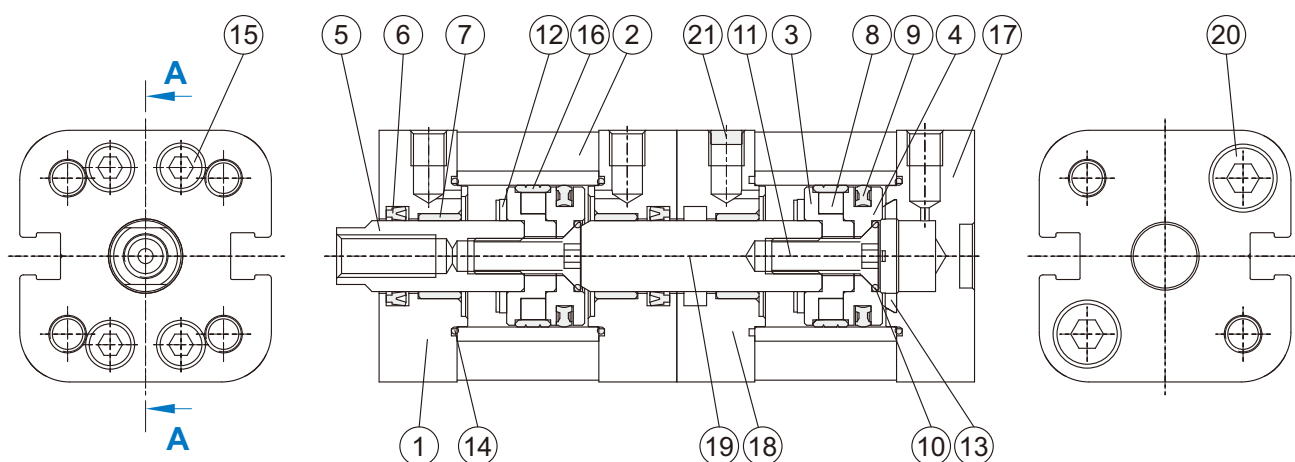
Tube I.D.	First stroke (mm)	Max. stroke
φ 20,25	5, 10, 15, 20, 25, 30, 40, 50, 60, 80, 100	110
φ 32,40	5, 10, 15, 20, 25, 30, 40, 50, 60, 80, 100	120
φ 50,63	10, 15, 20, 25, 30, 40, 50, 60, 80, 100, 110, 120	150
φ 80,100	15, 20, 25, 30, 40, 50, 60, 80, 100, 110, 120	140

Tube I.D.	Total stroke (mm)
φ 20,25	5, 10, 15, 20, 25, 30, 40, 50, 60, 80, 100, 200
φ 32,40	5, 10, 15, 20, 25, 30, 40, 50, 60, 80, 100, 200, 300
φ 50,63	10, 15, 20, 25, 30, 40, 50, 60, 80, 100, 200, 300, 400
φ 80,100	15, 20, 25, 30, 40, 50, 60, 80, 100, 200, 300, 400, 500

※ Please consult us if stroke out of specification.

MCJI Multiple position Inside structure & Parts list

COMPACT CYLINDER



A-A

Material

No.	Part name	Material	Q'y	Component parts (inclusion)	Repair kits (inclusion)
1	Rod cover	Aluminum alloy	2	●	
2	Tube	Aluminum alloy	2		
3	Piston-R	Aluminum alloy	2	●	
4	Piston-H	Aluminum alloy	2	●	
5	Piston rod	Medium carbon steel	1		
6	Rod packing	NBR	2	●	●
7	Bush	Bearing alloy	3	●	
8	Magnet ring	Magnet material	2	●	
9	Piston packing	NBR	2	●	●
10	O-ring	NBR	2	●	●
11	Screw	Carbon steel	2	●	
12	Cushion	NBR	2	●	●
13	Cushion	NBR	1	●	●
14	O-ring	NBR	3	●	●
15	Screw	Stainless steel	8	●	
16	Wear ring	Teflon	2	●	
17	End cover	Aluminum alloy	1	●	
18	Center cover	Aluminum alloy	1	●	
19	Piston rod	Medium carbon steel	1		
20	Screw	Carbon steel	2		
21	Silencer	Brass	1	●	

Order example of component parts / repair kits

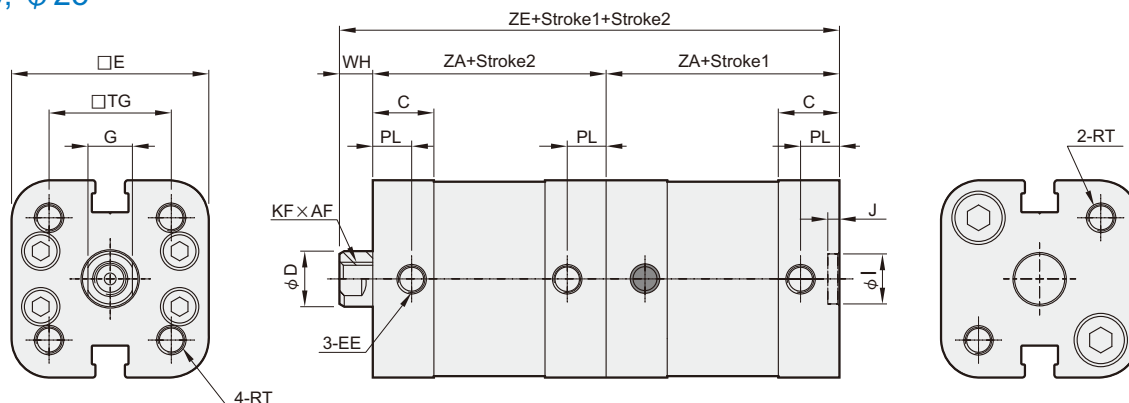
Tube I.D.	Component parts	Repair kits
φ 20	CP-MCJI-32-20	PS-MCJI-32-20
φ 25	CP-MCJI-32-25	PS-MCJI-32-25
φ 32	CP-MCJI-32-32	PS-MCJI-32-32
φ 40	CP-MCJI-32-40	PS-MCJI-32-40
φ 50	CP-MCJI-32-50	PS-MCJI-32-50
φ 63	CP-MCJI-32-63	PS-MCJI-32-63
φ 80	CP-MCJI-32-80	PS-MCJI-32-80
φ 100	CP-MCJI-32-100	PS-MCJI-32-100

MCJI Multiple position Dimensions $\phi 20 \sim \phi 80$

COMPACT CYLINDER

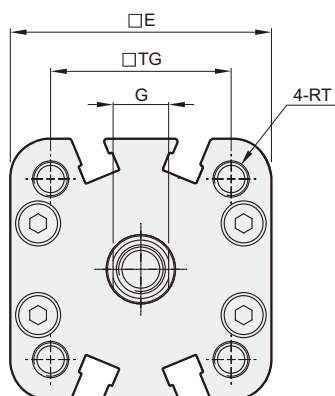


$\phi 20, \phi 25$

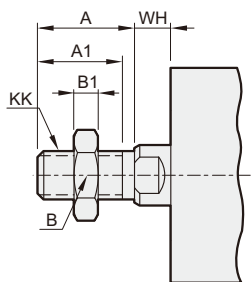


※ Stroke1: First stroke, Stroke2: Total stroke.

$\phi 32 \sim \phi 80$



MCJI-31 (Double acting / Male thread)



Code Tube I.D.	A	A1	B	B1	KK
20	16	14	13	4	M8×1.25
25	16	14	13	4	M8×1.25
32	19	17	17	5	M10×1.25
40	19	17	17	5	M10×1.25
50	22	20	19	6	M12×1.25
63	22	20	19	6	M12×1.25
80	28	26	24	8	M16×1.5
100	28	26	24	8	M16×1.5

Code Tube I.D.	AF	C	D	E	EE	G	WH	I	J	KF	PL	TG	RT	ZA	ZE
20	14	11	10	35.5	M5×0.8	8	6	9	2.1	M6×1.0	7	22	M5×0.8	37	80
25	14	11	10	39.5	M5×0.8	8	6	9	2.1	M6×1.0	7	26	M5×0.8	39	84
32	15	14	12	47	G1/8	10	7	9	2.1	M8×1.25	7.5	32.5	M6×1.0	44	95
40	15	14	12	54.5	G1/8	10	7	9	2.1	M8×1.25	7.5	38	M6×1.0	45	97
50	18	14	16	65.5	G1/8	14	8	12	2.6	M10×1.5	7.5	46.5	M8×1.25	45	98
63	18	14.5	16	75.5	G1/8	14	8	12	2.6	M10×1.5	7.5	56.5	M8×1.25	49	106
80	20	15.5	20	95.5	G1/8	17	10	12	2.6	M12×1.75	8	72	M10×1.5	54	118
100	20	18.5	20	113.5	G1/8	17	10	12	2.6	M12×1.75	9.5	89	M10×1.5	67	144

※ Stroke1: First stroke, Stroke2: Total stroke.