

### Table for standard stroke

Tube I.D.	Stroke (mm)	Max. stroke
φ 6	10,20,30,40,50	50
φ 10	10,20,30,40,50	50

- Stroke out of specification is also available.
- Please consult us if stroke out of specification.
- It is possible to adjust length of basic stroke by 0~5mm.

### Order example

MCDJ-03-6-50-□

MODEL

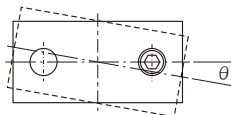
TYPE OF BEARING  
03: Slide bearing

STROKE

TUBE I.D.

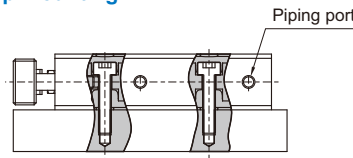
Blank: Standard piping  
P: Axial piping

### Anti-roll accuracy

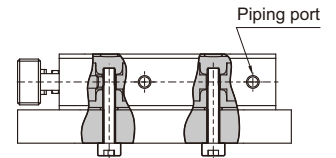


Tube I.D.	φ 6, φ 10
MCDJ-03	±0.1°

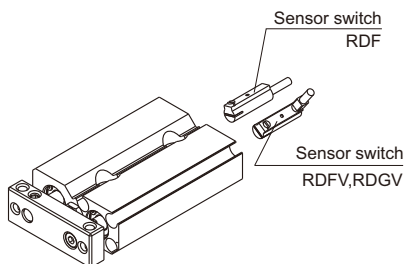
### Top mounting



### Bottom mounting

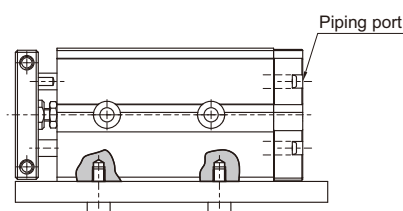


### Installation of sensor switch

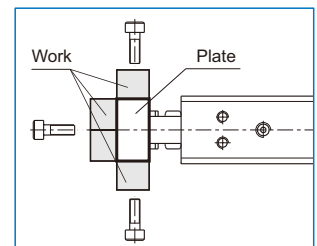


### Side mounting

※ Only for "P": axial piping.



Work can be mounted on three faces of the rod square plate.



### Features

- Compact in width and length with precision guidance.
- High lateral loads can be applied on both slide and linear bearing unit.
- Magnetic as standard.

### Specification

Model	MCDJ	
Acting type	Double acting	
Tube I.D.(mm)	6	10
Port size	M3×0.5	M5×0.8
Medium	Air	
Operating pressure range	Max.	0.7 MPa
	Min.	0.15 MPa      0.1 MPa
Proof pressure	1 MPa	
Ambient temperature	-5~+60°C (No freezing)	
Cushion	With rubber cushion pad (both side)	
Available speed range	50~500 mm/sec	
Lubrication	Not required (If lubrication is used, apply turbine oil NO1 ISO VG32)	
Sensor switch (※)	RDF, RDGV	

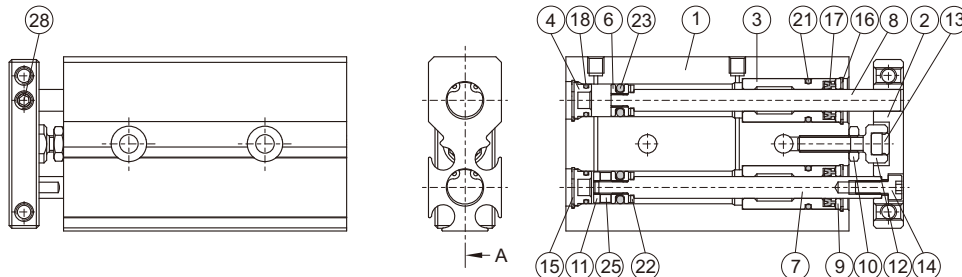
※ RDF, RDGV, specification, please refer to page 8-16, 17.

# MCDJ-03 Inside structure & Parts list

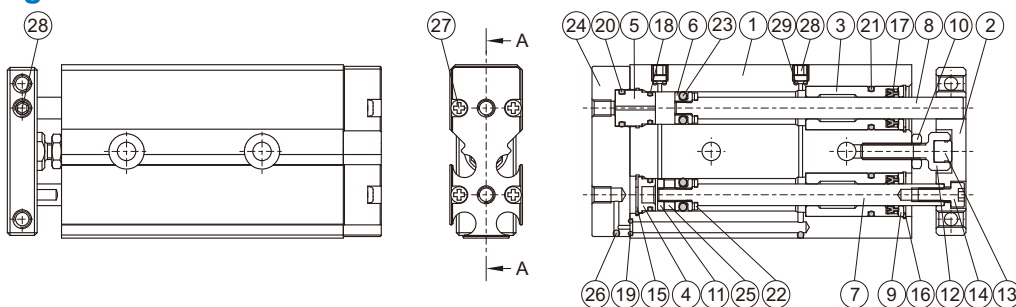
## DUAL-ROD CYLINDER



### Standrad piping



### Axial piping



### Material

No.	Part name	Tube I.D.		Standrad piping		Axial piping	
		6	10	Q'y	Repair kits (inclusion)	Q'y	Repair kits (inclusion)
1	Body	Aluminum alloy		1		1	
2	Plate	Aluminum alloy		1		1	
3	Rod cover	Aluminum alloy		2		2	
4	End cover	Aluminum alloy		2		1	
5	End cover (Axial)	Aluminum alloy		—		1	
6	Piston	Stainless steel		2		2	
7	Piston rod #1	Stainless steel		1		1	
8	Piston rod #2	Stainless steel		1		1	
9	Rod cover washer	SUS	—	2		2	
10	Nut	Carbon steel		1		1	
11	Piston	Aluminum alloy		1		1	
12	Cushion screw	Stainless steel		1		1	
13	Bumper	PU		1		1	
14	Screw	Stainless steel		1		1	
15	Snap ring	Spring steel		2		1	
16	Snap ring	Spring steel		2		2	
17	Rod packing	NBR		2	●	2	●
18	O-ring	NBR		2	●	2	●
19	O-ring	NBR		—		1	●
20	O-ring	NBR		—		1	●
21	O-ring	NBR		2	●	2	●
22	Rod cushion	NBR		2	●	2	●
23	Piston packing	NBR		2	●	2	●
24	Port cover	Aluminum alloy		—		1	
25	Magnet ring	Magnet material		1		1	
26	Steel ball	Stainless steel		—		2	
27	Screw	Iron		—		4	
28	Bolt	Stainless steel		1		3	
29	O-ring	NBR		—		2	●

### Order example of repair kits

Piping type	Tube I.D.	Repair kits
Standard	φ 6	<b>PS-MCDJ-6</b>
	φ 10	<b>PS-MCDJ-10</b>
Axial	φ 6	<b>PS-MCDJ-6-P</b>
	φ 10	<b>PS-MCDJ-10-P</b>
Lubricant (10g)		<b>GR-A-010</b>

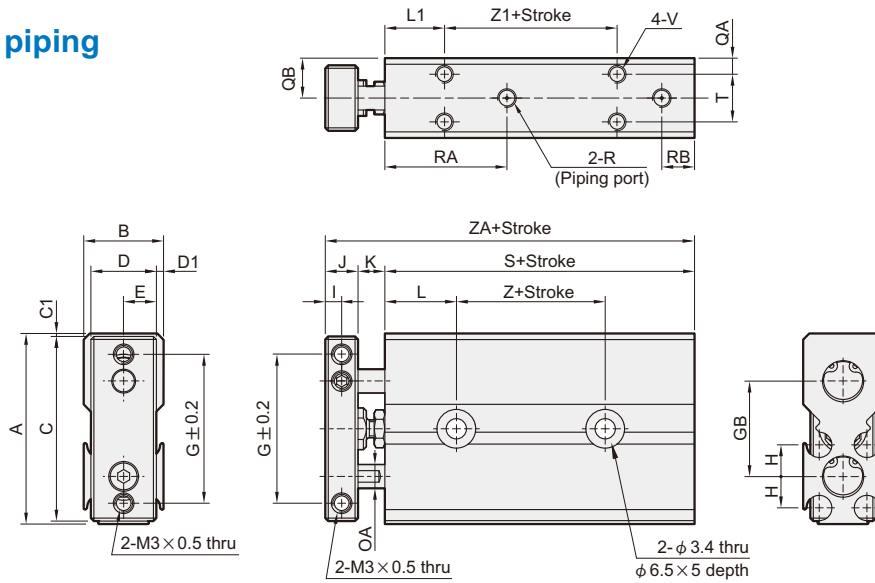
### Cylinder weight

Unit: g

Piping type	Standrad piping		Axial piping	
	φ 6	φ 10	φ 6	φ 10
10	45	97	51	109
20	54	111	61	124
30	64	125	71	137
40	74	139	80	152
50	84	154	90	166
75	—	188	—	201

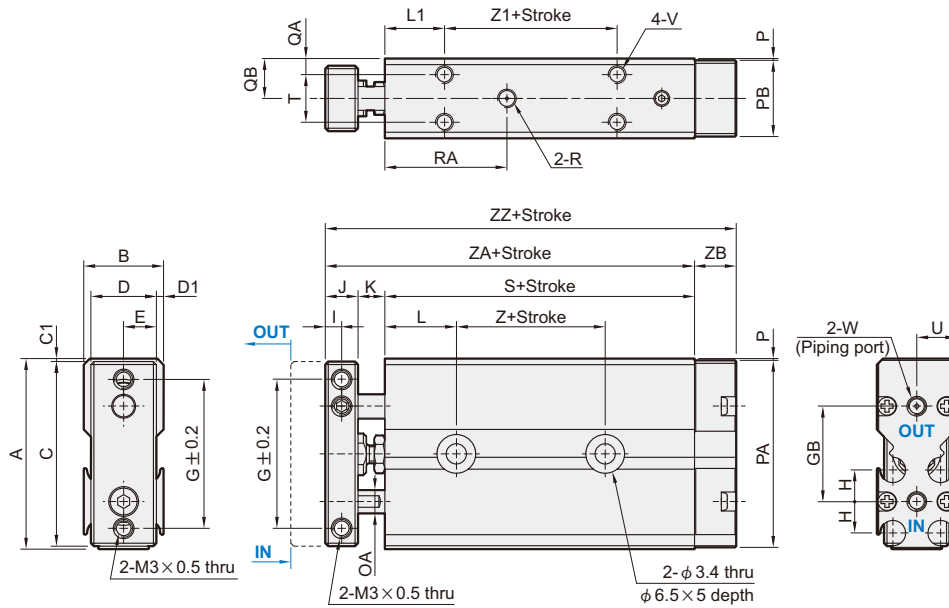
## DUAL-ROD CYLINDER

### Standrad piping



### Axial piping

**P**



Code Tube I.D.	A	B	C	C1	D	D1	E	G	GB	H	I	J	K	L	L1	OA	P	PA	PB	QA	QB	R	RA	RB
6	32	13.4	31	0.5	11	1.2	5.5	25	16	5.3	2.75	5.5	4.5	12	10	$\phi 4$	0.3	31.4	12.8	2.7	6.7	M3×0.5×3.5dp	20.5	5.5
10	42	15	40	1	13	1	6.5	33	20	8	4	8	3.5	16	16	$\phi 6$	0.3	41.4	14.4	3.5	7.5	M5×0.8×4dp	28.5	8

Code Tube I.D.	S	T	U	V	W	Z	Z1	ZA	ZB	ZZ
6	32	8	6.7	M3×0.5×3.5dp	M3×0.5×3.5dp	5	9	42	7	49
10	44.5	8	7.5	M3×0.5×4.5dp	M5×0.8×4.5dp	8	12	56	8.5	64.5