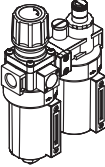
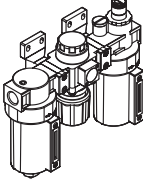
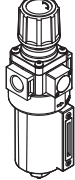
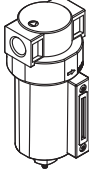
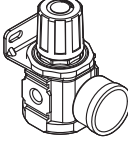
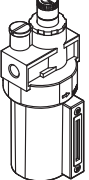


Family

Model	MACP	MACT	MAFR	MAF	MAR	MAL
Pictures						
100			●		●	
200	●		●	●	●	●
200L	●		●	●	●	●
300	●	●	●	●	●	●
300L	●	●	●	●	●	●
301					●	
302	●	●	●	●	●	●
400	●	●	●	●	●	●
401	●	●	●	●	●	●
402	●	●	●	●	●	●
403	●	●	●	●	●	●
501	●	●	●	●	●	●
900				●	●	●
901				●	●	

Selector table

Port size									Series	Drain type		
M5	6A	8A	10A	15A	20A	25A	40A	50A		Manual	Semi-automatic	Automatic
●									100		●	
	●	●							200		●	
	●	●							200L		●	
		●	●						300		●	
		●	●						300L		●	◎
		●	●						301			
		●	●	●					302		●	◎
		●	●	●					400		●	◎
		●	●	●					401		●	◎
		●	●	●	●				402		●	◎
		●	●	●	●	●			403		●	◎
					●	●			501		●	◎
							●		900	●		◎
								●	901	●		◎

● Standard type ◎ Option

Selector table

Regulation (Adjustable pressure)						Series	Filter (Filter element)					
1K	2K	3K	4K	10K	15K		0.01 u	0.3 u	5 u	20 u	40 u	50 u
				●		100			●		◎	
◎	◎	◎	◎	●		200			◎		●	
				●		200L			◎		●	
				●		300			●		◎	
				●		300L	◎	◎	●		◎	
				●		301						
				●		302			●		◎	
				●		400			◎		●	
				●	◎	401			◎		●	
				●		402			◎	◎	●	
				●		403			◎		●	
				●		501					●	
				●		900						●
				●		901						●

● Standard type ◎ Option

Bowl assembly

※ Order example: **BOWL-MAF400-D2N** (D2: Auto drain valve, N: Nylon)

● Standard type ◎ Option

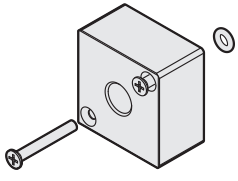
Auto drain valve					PC	Metal	Nylon	Series	Applicable model	Order example
D2	D3	D4	D6	D7	—	—	N			
					●			100	MAFR100	BOWL – MAFR100
					●		◎	200	MAFR200、MAF200	BOWL – MAF200
					●		◎		MAL200	BOWL – MAL200
					●		◎	200L	MAFR200L、MAF200L	BOWL – MAF200L
					●		◎		MAL200L	BOWL – MAL200L
					●		◎	300	MAFR300、MAF300	BOWL – MAF300
					●		◎		MAL300	BOWL – MAL300
					●				MACC300	BOWL – MACC300
◎					●		◎	300L	MAFR300L、MAF300L	BOWL – MAF300L
					●		◎		MAL300L	BOWL – MAL300L
◎					●		◎	302	MAFR302、MAF302	BOWL – MAF302
					●		◎		MAL302	BOWL – MAL302
◎	◎	◎			●		◎	400	MAFR400、MAF400	BOWL – MAF400
					●		◎		MAL400	BOWL – MAL400
◎	◎	◎				●		401	MAFR401、MAF401	BOWL – MAF401
						●			MAL401	BOWL – MAL401
			◎		●			402	MAFR402、MAF402	BOWL – MAF402
					●				MAL402	BOWL – MAL402
◎	◎	◎			●		◎	403	MAFR403、MAF403	BOWL – MAF403
					●		◎		MAL403	BOWL – MAL403
◎	◎	◎			●		◎	501	MAFR501、MAF501	BOWL – MAF403
					●		◎		MAL501	BOWL – MAL403
◎	◎	◎				◎			MAFR501-M、MAF501-M	BOWL – MAF401
						◎		MAL501-M	BOWL – MAL401	
				◎		●		900	MAF900	BOWL – MAF900
						●			MAL900	BOWL – MAL900
				◎		●		901	MAF901	BOWL – MAF901

※ Auto drain valve : D2: FMR300, D3: MADV400-WA (Female thread), D4: MADV400-WB (Male thread), D6: YD401, D7: SN-2636-01

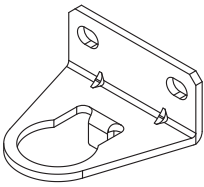
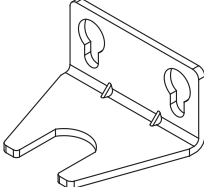
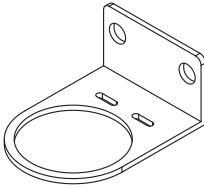
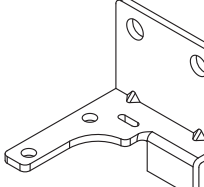
Gauge adapter set

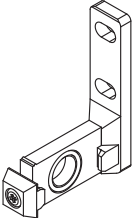
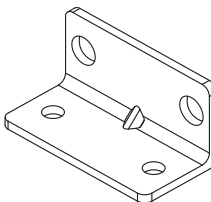
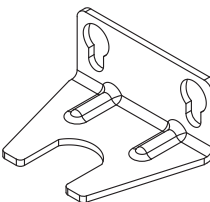
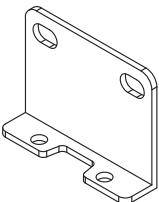
※ Order example : **A-MAR403-NPT**

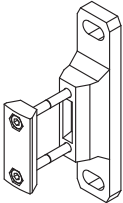
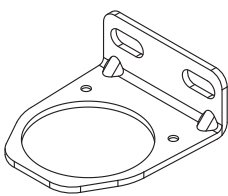
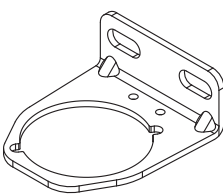
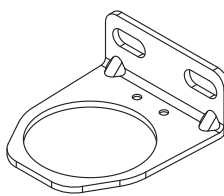
● Standard type ◎ Option

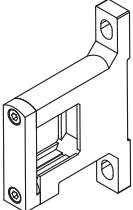
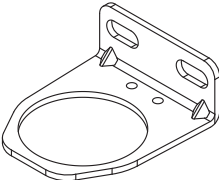
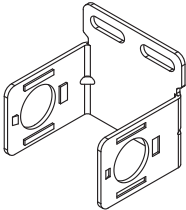
	Port thread		Applicable model	Order example
	—	NPT		
	Rc thread	NPT thread		
●	◎	MAR302、MAFR302	A – MAR403 – □ (With 403 shared)	
●	◎	MAR401、MAFR401	A – MAR401 – □	
●	◎	MAR401-W、MAFR401-W MAR403、MAFR403 MAR501、MAFR501	A – MAR403 – □	

Bracket

Order example	B1-MAR100	B1-MAIR100	B1-MAR200	B1-MAL200(※)
Pictures				
Applicable model	MAR100、MAFR100	MAIR100	MAFR200、MAR200 MACP200	MAL200

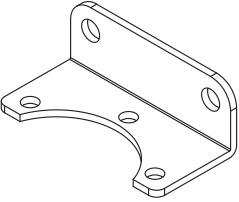
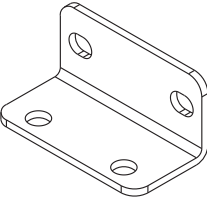
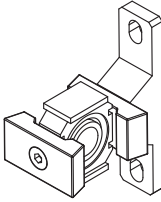
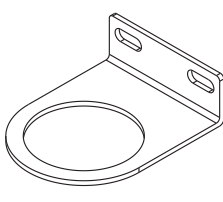
Order example	BL-MACP200	B1-MAF200 (※)	B1-MAIR200	B1-MACC300
Pictures				
Applicable model	MACP200	MAF200	MAIR200	MACC300

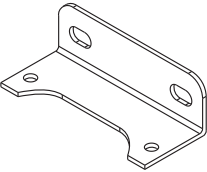
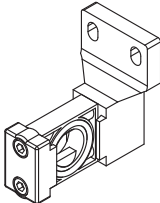
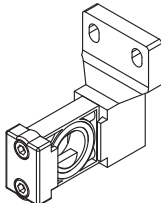
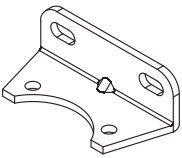
Order example	BT-MACP300	B1-MAR300	B1-MAF300 (※)	B1-MAR301
Pictures				
Applicable model	MACP300、MACT300 MACP300L、MACT300L	MAR300	MAL300、MAF300 MAL300L、MAF300L	MAFR300、MAFR300L MAR301

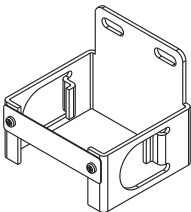
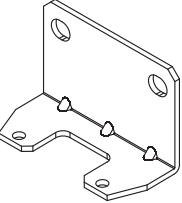
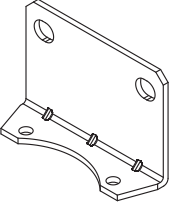
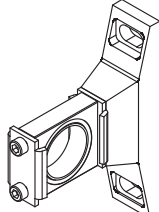
Order example	BT-MACP302	B1-MAR302	B2-MAF302
Pictures			
Applicable model	MACP302、MACT302	MAFR302、MAR302	MAL302、MAF302

※ Order B1-MAL200, B1-MAF200, B1-MAF300, B1-MAF402 please note that the body need have the fixed threaded holes collocating with bracket.

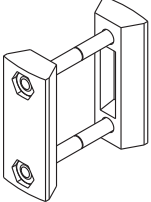
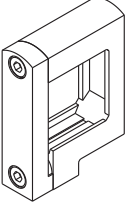
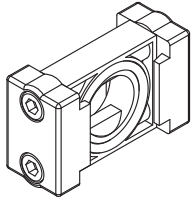
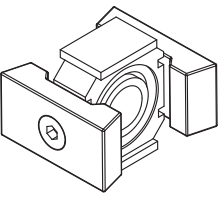
Bracket

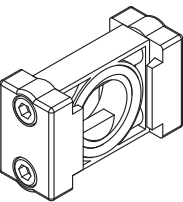
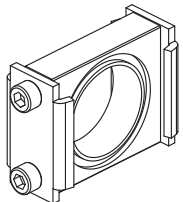
Order example	B1-MAR400	B1-MAF400	BT-MACP402	B1-MAR402
Pictures				
Applicable model	MACP400、MACT400 MAFR400、MAR400	MAF400、MAL400	MACP402、MACT402	MAFR402、MAR402 MAFR500、MAR500

Order example	B1-MAF402	BL-MACP401	BL-MACP403	B1-MAR401
Pictures				
Applicable model	MAF402、MAL402	MACP401、MACT401	MACP401-W、MACT401-W MACP403、MACT403	MAFR401、MAR401 MAFR403、MAR403

Order example	B2-MAF401	B1-MAR501	B1-MAF501	BT-MACP501
Pictures				
Applicable model	MAF401、MAL401 MAF403、MAL403	MAR501、MAFR501	MAF501、MAL501	MACP501、MACT501

Joiner set

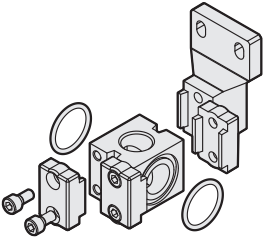
Order example	BS-MACP300	BS-MACP302	BS-MACP401	BS-MACP402
Pictures				
Applicable model	MACP300、MACT300 MACP300L、MACT300L	MACP302、MACT302	MACP401、MACT401	MACP402、MACT402

Order example	BS-MACP403	BS-MACP501
Pictures		
Applicable model	MACP401-W、MACT401-W MACP403、MACT403	MACP501、MACT501

T type module mounting bracket

※ Order example : T8-MACP302-G

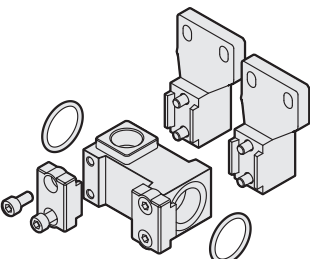
● Standard type ◎ Option

	Bore size		Port thread		Applicable model	Order example
	T8,T10	T15	—	G, NPT		
	1/4, 3/8	1/2	Rc thread	G, NPT thread		
	◎		●	◎	MACP300、MACT300	T8/T10-MACP300-□
	◎		●	◎	MACP300L、MACT300L	T8/T10-MACP300-□
	◎	◎	●	◎	MACP302、MACT302	T8/T10/T15-MACP302-□
				MACP401、MACT401	T8/T10/T15-MACP401-□	
◎	◎	●	◎	MACP401-W、MACT401-W MACP403、MACT403	T8/T10/T15-MACP403-□	
◎	◎	●	◎	MACP501、MACT501	T8/T10/T15-MACP501-□	

Check valve

※ Order example : K8-MACP401-G

● Standard type ◎ Option

	Bore size		Port thread		Effective orifice: 94mm ²	
	K8,K10	—	G, NPT		Applicable model	Order example
	1/4, 3/8	Rc thread	G, NPT thread			
					MACP401、MACT401	K8/K10 - MACP401 - □
◎	●		◎	MACP401-W、MACT401-W MACP403、MACT403	K8/K10 - MACP403 - □	