

MAR401 series

AIR UNIT (R.UNIT)



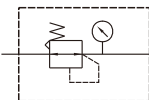
Specification

Model	MAR401		
Bore No.	8A	10A	15A
Port size	1/4	3/8	1/2
Medium	Air		
Max. operating pressure	1.5 MPa		
Proof pressure	2 MPa		
Regulated pressure range	Standard type: 0.1~0.85 MPa		
	High pressure type: 0.1~1.5 MPa		
Ambient temperature	-5~+60°C (No freezing)		
Attachment	Pressure gauge (PG-20), L-type bracket		
Weight	450 g		

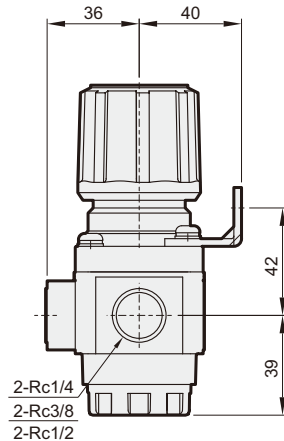
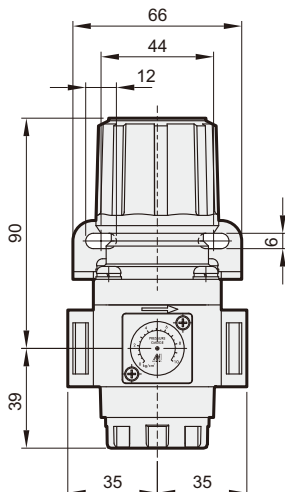
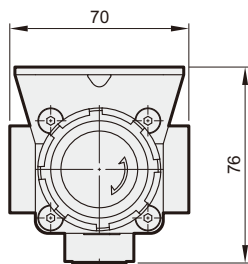
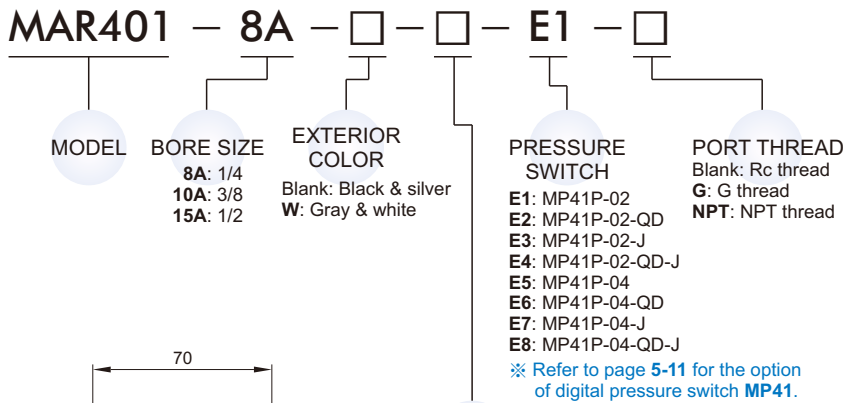


Option: MP41

Symbol



Order example



Blank: Standard type
C: External pressure gauge (PG-40)
H: High pressure type
(Required with external pressure gauge PG-40)
P: Pressure switch(MPS series)

Flow feature

