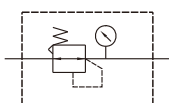


# MAIR100 series

## AIR UNIT (PRECISION REGULATOR)



### Symbol



### Order example

MAIR100-6A-2K-C-□

MODEL

BORE SIZE

6A: 1/8

PRESSURE RANGE

2K: 0.005~0.2 MPa  
4K: 0.01~0.4 MPa  
8K: 0.01~0.8 MPa

PRESSURE GAUGE (PG-33S)

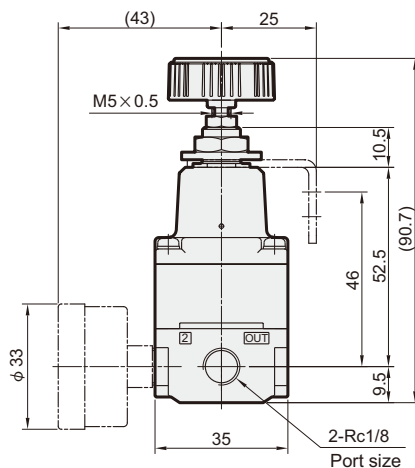
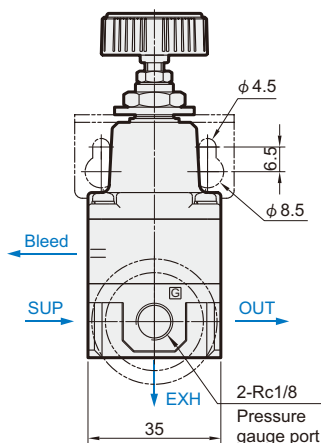
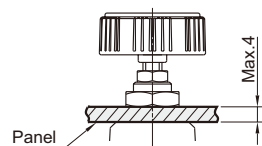
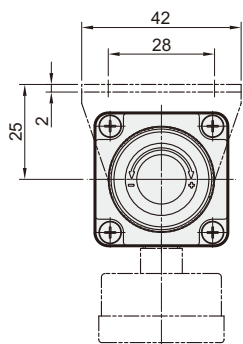
PORT THREAD

Blank: Rc thread  
G: G thread  
NPT: NPT thread

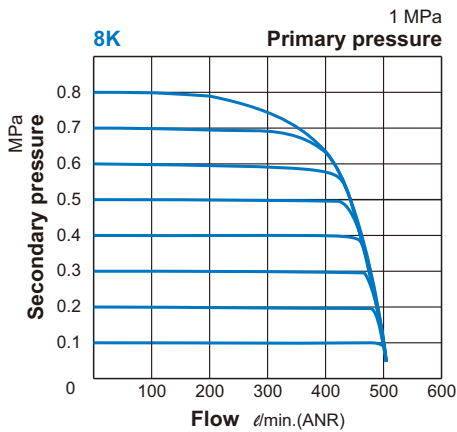
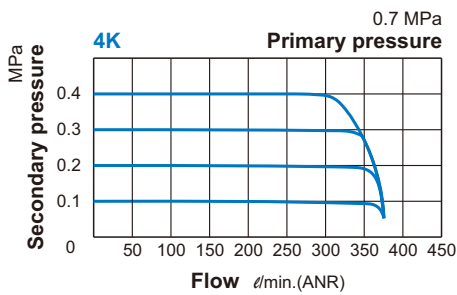
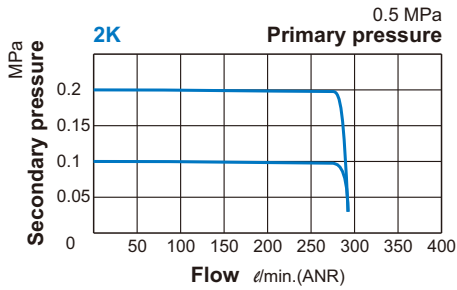
### Specification

| Model                    | MAIR100                       |
|--------------------------|-------------------------------|
| Bore No.                 | 6A                            |
| Port size                | 1/8                           |
| Medium                   | Air                           |
| Max. operating pressure  | 1 MPa                         |
| Min. operating pressure  | Setting pressure + 0.05 MPa   |
| Proof pressure           | 1.5 MPa                       |
| Regulated pressure range | 2K: 0.005~0.2 MPa             |
|                          | 4K: 0.01~0.4 MPa              |
|                          | 8K: 0.01~0.8 MPa              |
| Sensitivity              | Within(E) 0.2% of full span   |
| Repeatability            | Within(E) ± 0.5% of full span |
| Air consumption (※)      | 4.4 ℓ/min(ANR) or less        |
| Ambient temperature      | -5~+60°C (No freezing)        |
| Attachment               | Bracket                       |
| Option                   | Pressure gauge (PG-33S)       |
| Weight                   | 150 g                         |

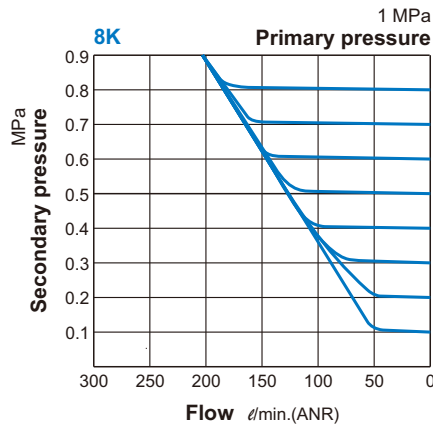
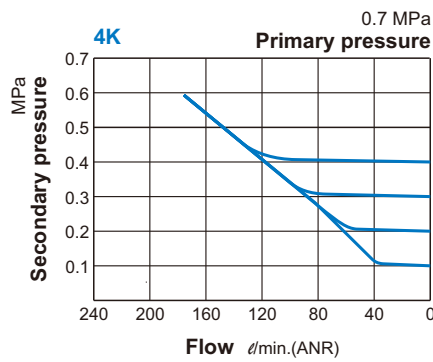
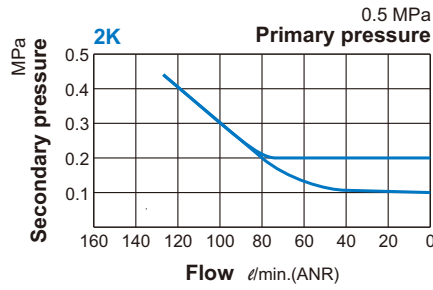
※ For supply pressure 1 MPa.



### Flow feature



### Relief characteristics



### Pressure characteristics

