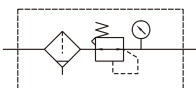


# MAFR402 series

AIR UNIT (F.R. UNIT)



### Symbol



### Specification

Model	MAFR402		
Bore No.	10A	15A	20A
Port size	3/8	1/2	3/4
Medium	Air		
Operating pressure range	0.05~1 MPa		
Proof pressure	1.5 MPa		
Regulated pressure range	0.05~0.85 MPa		
Ambient temperature	-5~+60°C (No freezing)		
Filter element	Standard: 40 μm, Option: 5, 20 μm		
Attachment	Pressure gauge, bracket		
Weight	1186 g		

※ Standard unit contains semi-auto-drain function when operating pressure below 0.05 MPa.

### Order example

MAFR402 - 15A - D - □ - □

MODEL

BORE SIZE

10A: 3/8  
15A: 1/2  
20A: 3/4

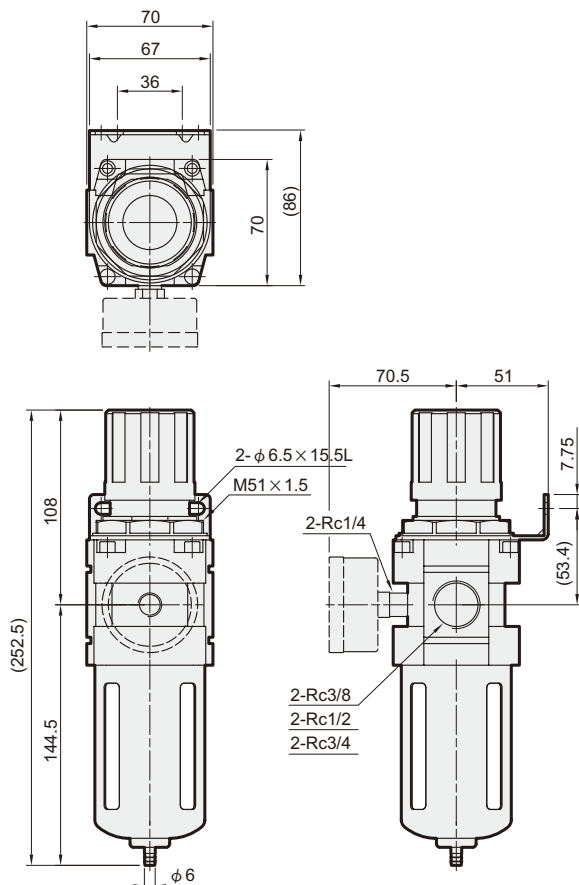
D: Auto drain valve (YD401)

FILTER ELEMENT

Blank: 40 μm  
5u: 5 μm  
20u: 20 μm

PORT THREAD

Blank: Rc thread  
G: G thread  
NPT: NPT thread



### Flow feature

10A, 15A, 20A

