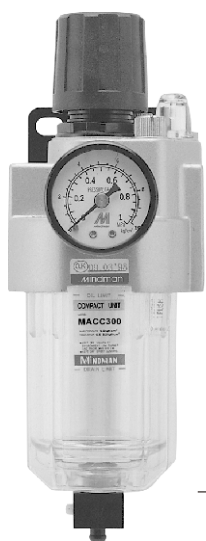
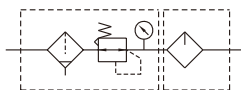


# MACC300 series

## AIR UNIT (F.R.L.UNIT)



### Symbol



### Order example

MACC300 - 8A - □ - □

MODEL

BORE SIZE

8A: 1/4  
10A: 3/8

FILTER ELEMENT

Blank: 5 μm  
40u: 40 μm

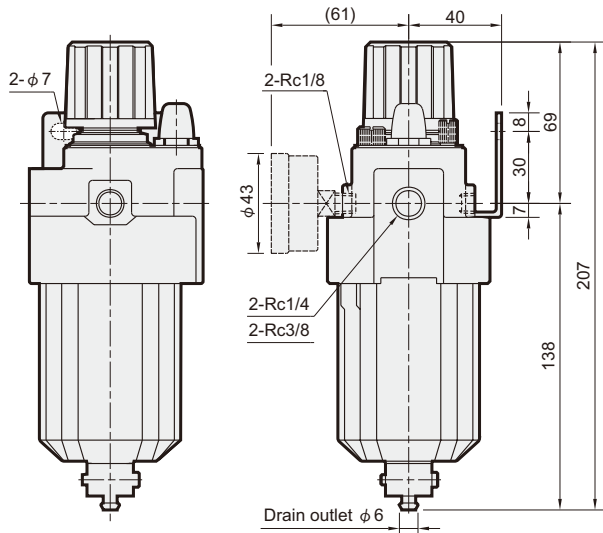
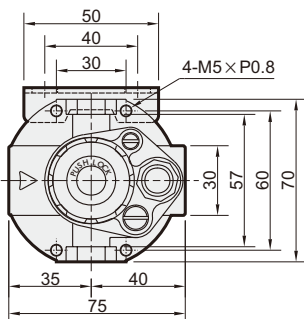
PORT THREAD

Blank: Rc thread  
G: G thread  
NPT: NPT thread

※ Standard unit contains semi-auto-drain function when operating pressure below 0.05 MPa.

### Specification

Model	MACC300	
Bore No.	8A	10A
Port size	1/4	3/8
Medium	Air	
Operating pressure range	0.05~1 MPa	
Proof pressure	1.5 MPa	
Regulated pressure range	0.05~0.85 MPa	
Effective orifice	28mm <sup>2</sup>	30mm <sup>2</sup>
Ambient temperature	-5~+60°C (No freezing)	
Filter element	Standard: 5 μm Option: 40 μm	
Lubricating oil capacity	50 c.c	
Min. Flow for oil drip	50 ℓ/min	60 ℓ/min
Recommended lubricating oil	Turbine oil ISO-VG32	
Attachment	Pressure gauge(PG-40), L-type bracket	
Weight	660 g	



### Flow feature

