

LN01A series

SENSOR SWITCH



Mindman

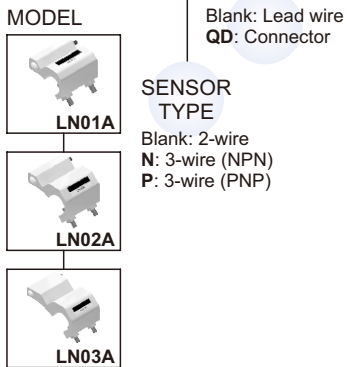


Specification

Model	LN0*A	LN0*A-N	LN0*A-P
Wiring method	2 Wire	3 Wire	
Switching logic	Normally open	Solid state output, normally open	
Switch type	Reed switch	NPN Current sinking	PNP Current sinking
Operating voltage	5~240V DC/AC	10~30V DC	
Switching current	100mA max.	200mA max.	
Switching rating ^(※1)	10W max.	6W max.	
Current consumption	—	OFF:7mA(24V) ON:20mA(24V) max.	
Voltage drop	3V max.	0.5V@200mA max.	
Indicator	Red LED		Green LED
Cable	φ 3.3, 2C, PVC	φ 3.3, 3C, PVC	
Temperature	- 10°C~+70°C (No freezing)		
Enclosure classification	IEC 60529 IP67		
Protection circuit ^(※2)	1	3, 4	
Symbol			

Order example

LN01A - P - □

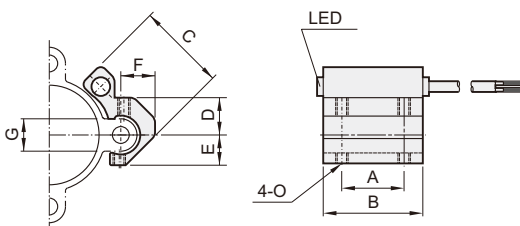


※1. Warning: Never exceed rating (watt=voltage × amperage).
 ※2. 1=None / 2=Short-circuit / 3=Power source reverse polarity / 4=Surge suppression
 ※3. Caution for safety please refer to page 8-8-9.

Assembling style

Cylinder type	MRT*		
Order	LN01A	LN02A	LN03A
Tube I.D.	40	63	80
Mounting clamp			

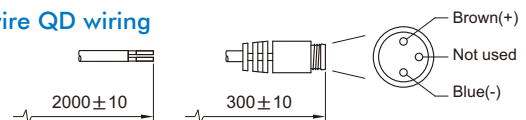
Dimension



Model	A	B	C	D	E	F	G	O
LN01A	20	32	28.5	12	9.8	11	10.5	M4
LN02A	20	32	37.5	15	13.5	12	13.5	M4
LN03A	20	32	56	18	15	14	17	M4

Wiring of the QD

● 2 wire QD wiring



● 3 wire QD wiring

