

MVSY-188 Order example

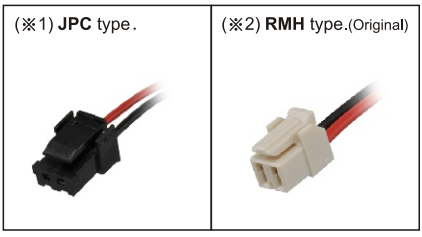
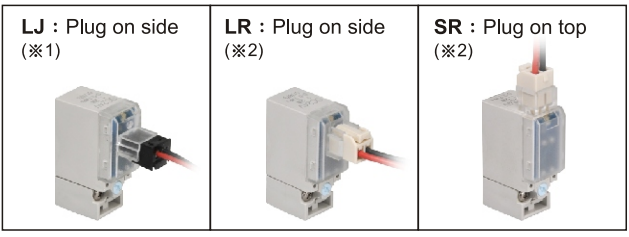
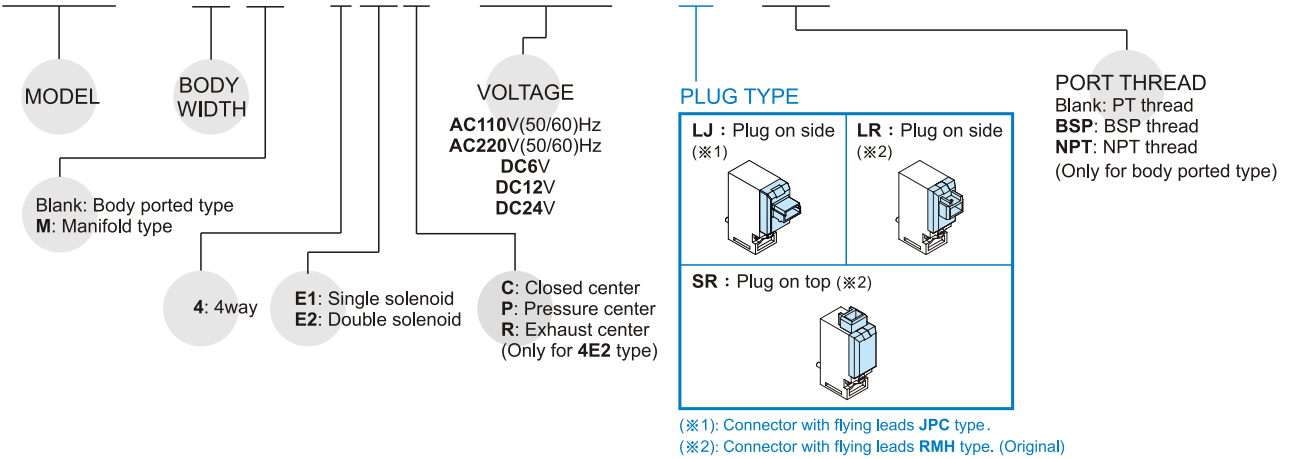
SOLENOID VALVE



Order example of valve:

MVSY – 188M – 4E2C – AC110 – LJ – BSP

New



Order example of valve:

MVSY – 188M – 4E2C – AC110 – S – BSP

Old

